

**YXG SERIES**
**105°C Low Impedance**

•Load Life : 105°C 3000~6000 hours.


**SPECIFICATIONS**

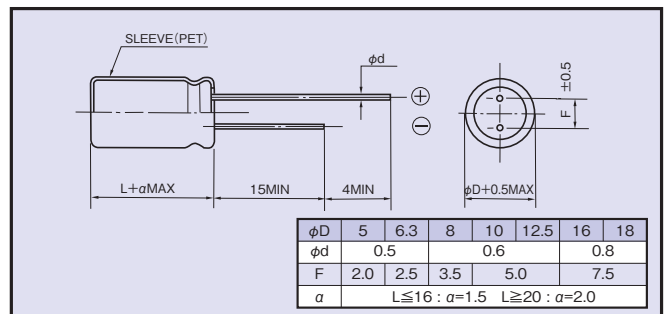
| Items  | Characteristics   |                     |                                   |           |                 |                    |  |        |      |                 |                                    |      |      |      |      |       |      |      |      |                  |      |   |   |   |   |   |   |   |                  |   |   |   |   |   |   |   |   |
|--|---|---------------------|-----------------------------------|-----------|-----------------|--------------------|--|--------|------|-----------------|------------------------------------|------|------|------|------|-------|------|------|------|------------------|------|---|---|---|---|---|---|---|------------------|---|---|---|---|---|---|---|---|
| Category Temperature Range                     | -40~+105°C  |                     |                                   |           |                 |                    |  |        |      |                 |                                    |      |      |      |      |       |      |      |      |                  |      |   |   |   |   |   |   |   |                  |   |   |   |   |   |   |   |   |
| Rated Voltage Range                            | 6.3~100Vdc  |                     |                                   |           |                 |                    |  |        |      |                 |                                    |      |      |      |      |       |      |      |      |                  |      |   |   |   |   |   |   |   |                  |   |   |   |   |   |   |   |   |
| Capacitance Tolerance                          | ±20% (20°C, 120Hz)  |                     |                                   |           |                 |                    |  |        |      |                 |                                    |      |      |      |      |       |      |      |      |                  |      |   |   |   |   |   |   |   |                  |   |   |   |   |   |   |   |   |
| Leakage Current(MAX)                           | I=0.01CV or 3µA whichever is greater.(After 2 minutes)<br>I=Leakage Current(µA)      C=Capacitance(µF)      V=Rated Voltage(Vdc)  |                     |                                   |           |                 |                    |  |        |      |                 |                                    |      |      |      |      |       |      |      |      |                  |      |   |   |   |   |   |   |   |                  |   |   |   |   |   |   |   |   |
| Dissipation Factor(MAX) (tanδ)                 | <table border="1"> <thead> <tr> <th>Rated Voltage (Vdc)</th> <th>6.3</th> <th>10</th> <th>16</th> <th>25</th> <th>35</th> <th>50</th> <th>63</th> <th>100</th> </tr> </thead> <tbody> <tr> <td>(20°C, 120Hz)</td> <td>0.22</td> <td>0.19</td> <td>0.16</td> <td>0.14</td> <td>0.12</td> <td>0.10</td> <td>0.09</td> <td>0.08</td> </tr> </tbody> </table> <p>When capacitance is over 1000µF, tanδ shall be added 0.02 to the listed value with increase of every 1000µF.</p>   | Rated Voltage (Vdc) | 6.3                               | 10        | 16              | 25                 | 35   | 50     | 63   | 100             | (20°C, 120Hz)                      | 0.22 | 0.19 | 0.16 | 0.14 | 0.12  | 0.10 | 0.09 | 0.08 |                  |      |   |   |   |   |   |   |   |                  |   |   |   |   |   |   |   |   |
| Rated Voltage (Vdc)                            | 6.3   | 10                  | 16                                | 25        | 35              | 50                 | 63   | 100    |      |                 |                                    |      |      |      |      |       |      |      |      |                  |      |   |   |   |   |   |   |   |                  |   |   |   |   |   |   |   |   |
| (20°C, 120Hz)                                  | 0.22  | 0.19                | 0.16                              | 0.14      | 0.12            | 0.10               | 0.09                                       | 0.08   |      |                 |                                    |      |      |      |      |       |      |      |      |                  |      |   |   |   |   |   |   |   |                  |   |   |   |   |   |   |   |   |
| Endurance                                      | <p>After applying rated voltage with rated ripple current for specified time at 105°C, the capacitors shall meet the following requirements.</p> <table border="1"> <thead> <tr> <th>Capacitance Change</th> <th>Within ±25% of the initial value.</th> <th>Case Size</th> <th>Life Time (hrs)</th> </tr> </thead> <tbody> <tr> <td>Dissipation Factor</td> <td>Not more than 200% of the specified value.</td> <td>φD≤6.3</td> <td>3000</td> </tr> <tr> <td>Leakage Current</td> <td>Not more than the specified value.</td> <td>φD=8</td> <td>4000</td> </tr> <tr> <td></td> <td></td> <td>φD=10</td> <td>5000</td> </tr> <tr> <td></td> <td></td> <td>φD≥12.5</td> <td>6000</td> </tr> </tbody> </table> | Capacitance Change  | Within ±25% of the initial value. | Case Size | Life Time (hrs) | Dissipation Factor | Not more than 200% of the specified value. | φD≤6.3 | 3000 | Leakage Current | Not more than the specified value. | φD=8 | 4000 |      |      | φD=10 | 5000 |      |      | φD≥12.5          | 6000 |   |   |   |   |   |   |   |                  |   |   |   |   |   |   |   |   |
| Capacitance Change                             | Within ±25% of the initial value.   | Case Size           | Life Time (hrs)                   |           |                 |                    |  |        |      |                 |                                    |      |      |      |      |       |      |      |      |                  |      |   |   |   |   |   |   |   |                  |   |   |   |   |   |   |   |   |
| Dissipation Factor                             | Not more than 200% of the specified value.  | φD≤6.3              | 3000                              |           |                 |                    |  |        |      |                 |                                    |      |      |      |      |       |      |      |      |                  |      |   |   |   |   |   |   |   |                  |   |   |   |   |   |   |   |   |
| Leakage Current                                | Not more than the specified value.  | φD=8                | 4000                              |           |                 |                    |  |        |      |                 |                                    |      |      |      |      |       |      |      |      |                  |      |   |   |   |   |   |   |   |                  |   |   |   |   |   |   |   |   |
|  |   | φD=10               | 5000                              |           |                 |                    |  |        |      |                 |                                    |      |      |      |      |       |      |      |      |                  |      |   |   |   |   |   |   |   |                  |   |   |   |   |   |   |   |   |
|  |   | φD≥12.5             | 6000                              |           |                 |                    |  |        |      |                 |                                    |      |      |      |      |       |      |      |      |                  |      |   |   |   |   |   |   |   |                  |   |   |   |   |   |   |   |   |
| Low Temperature Stability Impedance Ratio(MAX) | <table border="1"> <thead> <tr> <th>Rated Voltage (Vdc)</th> <th>6.3</th> <th>10</th> <th>16</th> <th>25</th> <th>35</th> <th>50</th> <th>63</th> <th>100</th> </tr> </thead> <tbody> <tr> <td>(120Hz)</td> <td></td> <td></td> <td></td> <td></td> <td></td> <td></td> <td></td> <td></td> </tr> <tr> <td>Z(-25°C)/Z(20°C)</td> <td>4</td> <td>3</td> <td>2</td> <td>2</td> <td>2</td> <td>2</td> <td>2</td> <td>2</td> </tr> <tr> <td>Z(-40°C)/Z(20°C)</td> <td>8</td> <td>6</td> <td>4</td> <td>3</td> <td>3</td> <td>3</td> <td>3</td> <td>3</td> </tr> </tbody> </table>   | Rated Voltage (Vdc) | 6.3                               | 10        | 16              | 25                 | 35   | 50     | 63   | 100             | (120Hz)                            |      |      |      |      |       |      |      |      | Z(-25°C)/Z(20°C) | 4    | 3 | 2 | 2 | 2 | 2 | 2 | 2 | Z(-40°C)/Z(20°C) | 8 | 6 | 4 | 3 | 3 | 3 | 3 | 3 |
| Rated Voltage (Vdc)                            | 6.3   | 10                  | 16                                | 25        | 35              | 50                 | 63   | 100    |      |                 |                                    |      |      |      |      |       |      |      |      |                  |      |   |   |   |   |   |   |   |                  |   |   |   |   |   |   |   |   |
| (120Hz)  |   |                     |                                   |           |                 |                    |  |        |      |                 |                                    |      |      |      |      |       |      |      |      |                  |      |   |   |   |   |   |   |   |                  |   |   |   |   |   |   |   |   |
| Z(-25°C)/Z(20°C)                               | 4   | 3                   | 2                                 | 2         | 2               | 2                  | 2  | 2      |      |                 |                                    |      |      |      |      |       |      |      |      |                  |      |   |   |   |   |   |   |   |                  |   |   |   |   |   |   |   |   |
| Z(-40°C)/Z(20°C)                               | 8   | 6                   | 4                                 | 3         | 3               | 3                  | 3  | 3      |      |                 |                                    |      |      |      |      |       |      |      |      |                  |      |   |   |   |   |   |   |   |                  |   |   |   |   |   |   |   |   |

**MULTIPLIER FOR RIPPLE CURRENT**

| Frequency (Hz) |              | 120  | 1k   | 10k  | 100k≤ |
|----------------|--------------|------|------|------|-------|
| Coefficient    | 6.8~33µF     | 0.42 | 0.70 | 0.90 | 1.00  |
|                | 39~270µF     | 0.50 | 0.73 | 0.92 | 1.00  |
|                | 330~680µF    | 0.55 | 0.77 | 0.94 | 1.00  |
|                | 820~1800µF   | 0.60 | 0.80 | 0.96 | 1.00  |
|                | 2200~18000µF | 0.70 | 0.85 | 0.98 | 1.00  |

**DIMENSIONS**

(mm)


**PART NUMBER**

|               |        |             |                       |        |              |           |
|---------------|--------|-------------|-----------------------|--------|--------------|-----------|
| □□□           | YXG    | □□□□□       | M                     | □□□    | □□           | DxL       |
| Rated Voltage | Series | Capacitance | Capacitance Tolerance | Option | Lead Forming | Case Size |

**OPTION**

|            | Code |
|------------|------|
| PET Sleeve | EFC  |

**◆STANDARD SIZE**

| Rated Voltage (Vdc) | Capacitance (μF) | Size φD×L(mm) | Rated ripple current (mA r.m.s./105°C, 100kHz) | Impedance (Ω MAX) |               |
|---------------------|------------------|---------------|--|-------------------|---------------|
|                     |                  |               |  | 20°C, 100kHz      | -10°C, 100kHz |
| 6.3                 | 150              | 5×11          | 210  | 0.58              | 2.3           |
|                     | 330              | 6.3×11        | 340  | 0.22              | 0.87          |
|                     | 680              | 8×11.5        | 640  | 0.13              | 0.52          |
|                     | 820              | 10×12.5       | 865  | 0.080             | 0.32          |
|                     | 1000             | 8×16          | 840  | 0.087             | 0.35          |
|                     | 1200             | 8×20          | 1050   | 0.069             | 0.27          |
|                     | 1200             | 10×16         | 1210   | 0.060             | 0.24          |
|                     | 1500             | 10×20         | 1400   | 0.046             | 0.18          |
|                     | 1800             | 12.5×16       | 1450   | 0.049             | 0.16          |
|                     | 2200             | 10×23         | 1650   | 0.042             | 0.17          |
|                     | 2700             | 10×28         | 1910   | 0.031             | 0.12          |
|                     | 2700             | 16×16         | 1940   | 0.042             | 0.12          |
|                     | 3300             | 12.5×20       | 1900   | 0.035             | 0.12          |
|                     | 3900             | 12.5×25       | 2230   | 0.027             | 0.089         |
|                     | 3900             | 18×16         | 2210   | 0.043             | 0.11          |
|                     | 4700             | 12.5×30       | 2650   | 0.024             | 0.078         |
|                     | 5600             | 12.5×35       | 2880   | 0.020             | 0.065         |
|                     | 5600             | 16×20         | 2530   | 0.027             | 0.078         |
|                     | 6800             | 12.5×40       | 3350   | 0.017             | 0.056         |
|                     | 6800             | 16×25         | 2930   | 0.021             | 0.060         |
| 6800                | 18×20            | 2860          | 0.026  | 0.067             |               |
| 8200                | 16×31.5          | 3450          | 0.017  | 0.050             |               |
| 10000               | 16×35.5          | 3610          | 0.015  | 0.044             |               |
| 10000               | 18×25            | 3140          | 0.019  | 0.049             |               |
| 12000               | 16×40            | 4080          | 0.013  | 0.038             |               |
| 12000               | 18×31.5          | 4170          | 0.015  | 0.040             |               |
| 15000               | 18×35.5          | 4220          | 0.014  | 0.038             |               |
| 18000               | 18×40            | 4280          | 0.012  | 0.032             |               |
| 10                  | 100              | 5×11          | 210  | 0.58              | 2.3           |
|                     | 220              | 6.3×11        | 340  | 0.22              | 0.87          |
|                     | 470              | 8×11.5        | 640  | 0.13              | 0.52          |
|                     | 680              | 8×16          | 840  | 0.087             | 0.35          |
|                     | 680              | 10×12.5       | 865  | 0.080             | 0.32          |
|                     | 1000             | 8×20          | 1050   | 0.069             | 0.27          |
|                     | 1000             | 10×16         | 1210   | 0.060             | 0.24          |
|                     | 1200             | 10×20         | 1400   | 0.046             | 0.18          |
|                     | 1500             | 10×23         | 1650   | 0.042             | 0.17          |
|                     | 1500             | 12.5×16       | 1450   | 0.049             | 0.16          |
|                     | 2200             | 10×28         | 1910   | 0.031             | 0.12          |
|                     | 2200             | 12.5×20       | 1900   | 0.035             | 0.12          |
|                     | 2200             | 16×16         | 1940   | 0.042             | 0.12          |
|                     | 2700             | 18×16         | 2210   | 0.043             | 0.11          |
|                     | 3300             | 12.5×25       | 2230   | 0.027             | 0.089         |
|                     | 3900             | 12.5×30       | 2650   | 0.024             | 0.078         |
|                     | 3900             | 16×20         | 2530   | 0.027             | 0.078         |
|                     | 4700             | 12.5×35       | 2880   | 0.020             | 0.065         |
|                     | 5600             | 12.5×40       | 3350   | 0.017             | 0.056         |
|                     | 5600             | 16×25         | 2930   | 0.021             | 0.060         |
| 5600                | 18×20            | 2860          | 0.026  | 0.067             |               |
| 6800                | 16×31.5          | 3450          | 0.017  | 0.050             |               |
| 6800                | 18×25            | 3140          | 0.019  | 0.049             |               |
| 8200                | 16×35.5          | 3610          | 0.015  | 0.044             |               |
| 8200                | 18×31.5          | 4170          | 0.015  | 0.040             |               |
| 10000               | 16×40            | 4080          | 0.013  | 0.038             |               |
| 10000               | 18×35.5          | 4220          | 0.014  | 0.038             |               |
| 12000               | 18×40            | 4280          | 0.012  | 0.032             |               |

| Rated Voltage (Vdc) | Capacitance (μF) | Size φD×L(mm) | Rated ripple current (mA r.m.s./105°C, 100kHz) | Impedance (Ω MAX) |               |
|---------------------|------------------|---------------|--|-------------------|---------------|
|                     |                  |               |  | 20°C, 100kHz      | -10°C, 100kHz |
| 16                  | 56               | 5×11          | 210  | 0.58              | 2.3           |
|                     | 120              | 6.3×11        | 340  | 0.22              | 0.87          |
|                     | 330              | 8×11.5        | 640  | 0.13              | 0.52          |
|                     | 470              | 8×16          | 840  | 0.087             | 0.35          |
|                     | 470              | 10×12.5       | 865  | 0.080             | 0.32          |
|                     | 680              | 8×20          | 1050   | 0.069             | 0.27          |
|                     | 680              | 10×16         | 1210   | 0.060             | 0.24          |
|                     | 1000             | 10×20         | 1400   | 0.046             | 0.18          |
|                     | 1000             | 12.5×16       | 1450   | 0.049             | 0.16          |
|                     | 1200             | 10×23         | 1650   | 0.042             | 0.17          |
|                     | 1500             | 10×28         | 1910   | 0.031             | 0.12          |
|                     | 1500             | 12.5×20       | 1900   | 0.035             | 0.12          |
|                     | 1500             | 16×16         | 1940   | 0.042             | 0.12          |
|                     | 2200             | 12.5×25       | 2230   | 0.027             | 0.089         |
|                     | 2200             | 18×16         | 2210   | 0.043             | 0.11          |
|                     | 2700             | 12.5×30       | 2650   | 0.024             | 0.078         |
|                     | 2700             | 16×20         | 2530   | 0.027             | 0.078         |
|                     | 3300             | 12.5×35       | 2880   | 0.020             | 0.065         |
|                     | 3900             | 12.5×40       | 3350   | 0.017             | 0.056         |
|                     | 3900             | 16×25         | 2930   | 0.021             | 0.060         |
| 3900                | 18×20            | 2860          | 0.026  | 0.067             |               |
| 4700                | 16×31.5          | 3450          | 0.017  | 0.050             |               |
| 4700                | 18×25            | 3140          | 0.019  | 0.049             |               |
| 5600                | 16×35.5          | 3610          | 0.015  | 0.044             |               |
| 5600                | 18×31.5          | 4170          | 0.015  | 0.040             |               |
| 6800                | 16×40            | 4080          | 0.013  | 0.038             |               |
| 8200                | 18×35.5          | 4220          | 0.014  | 0.038             |               |
| 10000               | 18×40            | 4280          | 0.012  | 0.032             |               |
| 25                  | 47               | 5×11          | 210  | 0.58              | 2.3           |
|                     | 100              | 6.3×11        | 340  | 0.22              | 0.87          |
|                     | 220              | 8×11.5        | 640  | 0.13              | 0.52          |
|                     | 330              | 8×16          | 840  | 0.087             | 0.35          |
|                     | 330              | 10×12.5       | 865  | 0.080             | 0.32          |
|                     | 470              | 8×20          | 1050   | 0.069             | 0.27          |
|                     | 470              | 10×12.5       | 1700   | 0.053             | 0.16          |
|                     | 470              | 10×16         | 1210   | 0.060             | 0.24          |
|                     | 680              | 10×20         | 1400   | 0.046             | 0.18          |
|                     | 680              | 12.5×16       | 1450   | 0.049             | 0.16          |
|                     | 820              | 10×23         | 1650   | 0.042             | 0.17          |
|                     | 1000             | 10×28         | 1910   | 0.031             | 0.12          |
|                     | 1000             | 12.5×20       | 1900   | 0.035             | 0.12          |
|                     | 1000             | 16×16         | 1940   | 0.042             | 0.12          |
|                     | 1200             | 18×16         | 2210   | 0.043             | 0.11          |
|                     | 1500             | 12.5×25       | 2230   | 0.027             | 0.089         |
|                     | 1800             | 12.5×30       | 2650   | 0.024             | 0.078         |
|                     | 1800             | 16×20         | 2530   | 0.027             | 0.078         |
|                     | 2200             | 12.5×35       | 2880   | 0.020             | 0.065         |
|                     | 2200             | 18×20         | 2860   | 0.026             | 0.067         |
| 2700                | 12.5×40          | 3350          | 0.017  | 0.056             |               |
| 2700                | 16×25            | 2930          | 0.021  | 0.060             |               |
| 3300                | 16×31.5          | 3450          | 0.017  | 0.050             |               |
| 3300                | 18×25            | 3140          | 0.019  | 0.049             |               |
| 3900                | 16×35.5          | 3610          | 0.015  | 0.044             |               |
| 3900                | 18×31.5          | 4170          | 0.015  | 0.040             |               |
| 4700                | 16×40            | 4080          | 0.013  | 0.038             |               |
| 4700                | 18×35.5          | 4220          | 0.014  | 0.038             |               |
| 5600                | 18×40            | 4280          | 0.012  | 0.032             |               |

**◆STANDARD SIZE**

| Rated Voltage (Vdc) | Capacitance (μF) | Size φD×L(mm) | Rated ripple current (mA r.m.s./105°C, 100kHz) | Impedance (Ω MAX) |               |
|---------------------|------------------|---------------|--|-------------------|---------------|
|                     |                  |               |  | 20°C, 100kHz      | -10°C, 100kHz |
| 35                  | 33               | 5×11          | 210  | 0.58              | 2.3           |
|                     | 56               | 6.3×11        | 340  | 0.22              | 0.87          |
|                     | 150              | 8×11.5        | 640  | 0.13              | 0.52          |
|                     | 220              | 8×16          | 840  | 0.087             | 0.35          |
|                     | 220              | 10×12.5       | 865  | 0.080             | 0.32          |
|                     | 270              | 8×20          | 1050   | 0.069             | 0.27          |
|                     | 330              | 10×16         | 1210   | 0.060             | 0.24          |
|                     | 470              | 10×20         | 1400   | 0.046             | 0.18          |
|                     | 470              | 12.5×16       | 1450   | 0.049             | 0.16          |
|                     | 560              | 10×23         | 1650   | 0.042             | 0.17          |
|                     | 680              | 10×28         | 1910   | 0.031             | 0.12          |
|                     | 680              | 12.5×20       | 1900   | 0.035             | 0.12          |
|                     | 680              | 16×16         | 1940   | 0.042             | 0.12          |
|                     | 1000             | 12.5×25       | 2230   | 0.027             | 0.089         |
|                     | 1000             | 18×16         | 2210   | 0.043             | 0.11          |
|                     | 1200             | 12.5×30       | 2650   | 0.024             | 0.078         |
|                     | 1200             | 16×20         | 2530   | 0.027             | 0.078         |
|                     | 1500             | 12.5×35       | 2880   | 0.020             | 0.065         |
|                     | 1800             | 12.5×40       | 3350   | 0.017             | 0.056         |
|                     | 1800             | 16×25         | 2930   | 0.021             | 0.060         |
|                     | 1800             | 18×20         | 2860   | 0.026             | 0.067         |
| 2200                | 16×31.5          | 3450          | 0.017  | 0.050             |               |
| 2200                | 18×25            | 3140          | 0.019  | 0.049             |               |
| 2700                | 16×35.5          | 3610          | 0.015  | 0.044             |               |
| 2700                | 18×31.5          | 4170          | 0.015  | 0.040             |               |
| 3300                | 16×40            | 4080          | 0.013  | 0.038             |               |
| 3300                | 18×35.5          | 4220          | 0.014  | 0.038             |               |
| 3900                | 18×40            | 4280          | 0.012  | 0.032             |               |
| 50                  | 22               | 5×11          | 180  | 0.70              | 2.8           |
|                     | 56               | 6.3×11        | 295  | 0.30              | 1.2           |
|                     | 100              | 8×11.5        | 555  | 0.17              | 0.68          |
|                     | 120              | 8×16          | 730  | 0.12              | 0.48          |
|                     | 150              | 10×12.5       | 760  | 0.12              | 0.48          |
|                     | 150              | 10×12.5       | 1280   | 0.073             | 0.22          |
|                     | 180              | 8×20          | 910  | 0.091             | 0.36          |
|                     | 220              | 10×16         | 1050   | 0.084             | 0.34          |
|                     | 270              | 10×20         | 1220   | 0.060             | 0.24          |
|                     | 270              | 12.5×16       | 1260   | 0.061             | 0.20          |
|                     | 330              | 10×23         | 1440   | 0.055             | 0.22          |
|                     | 470              | 10×28         | 1690   | 0.043             | 0.17          |
|                     | 470              | 12.5×20       | 1660   | 0.045             | 0.15          |
|                     | 470              | 16×16         | 1690   | 0.055             | 0.17          |
|                     | 560              | 12.5×25       | 1950   | 0.034             | 0.11          |
|                     | 560              | 18×16         | 1930   | 0.054             | 0.15          |
|                     | 680              | 12.5×30       | 2310   | 0.030             | 0.10          |
|                     | 820              | 12.5×35       | 2510   | 0.025             | 0.083         |
|                     | 820              | 16×20         | 2210   | 0.034             | 0.10          |
|                     | 1000             | 12.5×40       | 2920   | 0.021             | 0.069         |
|                     | 1000             | 16×25         | 2555   | 0.025             | 0.075         |
| 1000                | 18×20            | 2490          | 0.036  | 0.097             |               |
| 1200                | 16×31.5          | 3010          | 0.022  | 0.066             |               |
| 1200                | 18×25            | 2740          | 0.026  | 0.070             |               |
| 1500                | 16×35.5          | 3150          | 0.019  | 0.057             |               |
| 1800                | 16×40            | 3710          | 0.016  | 0.048             |               |
| 1800                | 18×31.5          | 3635          | 0.021  | 0.057             |               |
| 2200                | 18×35.5          | 3680          | 0.017  | 0.046             |               |
| 2700                | 18×40            | 3800          | 0.014  | 0.038             |               |
| 63                  | 15               | 5×11          | 55   | 2.3               | 9.3           |
|                     | 33               | 6.3×11        | 115  | 1.2               | 5.0           |
|                     | 56               | 8×11.5        | 232  | 0.63              | 2.8           |
|                     | 82               | 8×16          | 300  | 0.45              | 2.1           |
|                     | 82               | 10×12.5       | 288  | 0.43              | 1.8           |
|                     | 120              | 8×20          | 362  | 0.33              | 1.6           |
|                     | 120              | 10×16         | 357  | 0.31              | 1.5           |
|                     | 180              | 10×20         | 466  | 0.21              | 0.94          |
|                     | 180              | 12.5×16       | 466  | 0.23              | 1.1           |
|                     | 220              | 10×23         | 531  | 0.20              | 0.84          |
|                     | 270              | 10×28         | 663  | 0.15              | 0.71          |
|                     | 270              | 12.5×20       | 690  | 0.16              | 0.64          |
|                     | 270              | 16×16         | 795  | 0.14              | 0.66          |
|                     | 330              | 12.5×25       | 784  | 0.12              | 0.45          |
|                     | 390              | 18×16         | 920  | 0.12              | 0.50          |
|                     | 470              | 12.5×30       | 905  | 0.10              | 0.42          |
|                     | 470              | 16×20         | 1040   | 0.091             | 0.38          |
|                     | 560              | 12.5×35       | 1050   | 0.083             | 0.35          |
|                     | 560              | 16×25         | 1250   | 0.073             | 0.27          |
|                     | 680              | 12.5×40       | 1180   | 0.071             | 0.30          |
|                     | 680              | 18×20         | 1240   | 0.080             | 0.30          |
| 820                 | 16×31.5          | 1570          | 0.054  | 0.20              |               |
| 820                 | 18×25            | 1490          | 0.057  | 0.21              |               |
| 1000                | 16×35.5          | 1790          | 0.045  | 0.17              |               |
| 1000                | 18×31.5          | 1630          | 0.047  | 0.17              |               |
| 1200                | 16×40            | 2020          | 0.040  | 0.15              |               |
| 1200                | 18×35.5          | 1790          | 0.040  | 0.15              |               |
| 1500                | 18×40            | 2330          | 0.036  | 0.13              |               |
| 100                 | 6.8              | 5×11          | 55   | 2.3               | 9.3           |
|                     | 15               | 6.3×11        | 115  | 1.2               | 5.0           |
|                     | 27               | 8×11.5        | 232  | 0.63              | 2.8           |
|                     | 39               | 8×16          | 300  | 0.45              | 2.1           |
|                     | 47               | 10×12.5       | 288  | 0.43              | 1.8           |
|                     | 56               | 8×20          | 362  | 0.33              | 1.6           |
|                     | 56               | 10×12.5       | 1000   | 0.17              | 0.66          |
|                     | 68               | 10×16         | 357  | 0.31              | 1.5           |
|                     | 82               | 10×20         | 466  | 0.21              | 0.94          |
|                     | 82               | 12.5×16       | 466  | 0.23              | 1.1           |
|                     | 100              | 10×23         | 531  | 0.20              | 0.84          |
|                     | 120              | 10×28         | 663  | 0.15              | 0.71          |
|                     | 120              | 12.5×20       | 690  | 0.16              | 0.64          |
|                     | 150              | 16×16         | 795  | 0.14              | 0.66          |
|                     | 180              | 12.5×25       | 784  | 0.12              | 0.45          |
|                     | 180              | 18×16         | 920  | 0.12              | 0.50          |
|                     | 220              | 12.5×30       | 905  | 0.10              | 0.42          |
|                     | 220              | 16×20         | 1040   | 0.091             | 0.38          |
|                     | 270              | 12.5×35       | 1050   | 0.083             | 0.35          |
|                     | 270              | 16×25         | 1250   | 0.073             | 0.27          |
|                     | 330              | 12.5×40       | 1180   | 0.071             | 0.30          |
| 330                 | 18×20            | 1240          | 0.080  | 0.30              |               |
| 390                 | 16×31.5          | 1570          | 0.054  | 0.20              |               |
| 390                 | 18×25            | 1490          | 0.057  | 0.21              |               |
| 470                 | 16×35.5          | 1790          | 0.045  | 0.17              |               |
| 470                 | 18×31.5          | 1630          | 0.047  | 0.17              |               |
| 560                 | 16×40            | 2020          | 0.040  | 0.15              |               |
| 680                 | 18×35.5          | 1790          | 0.040  | 0.15              |               |
| 820                 | 18×40            | 2330          | 0.036  | 0.13              |               |