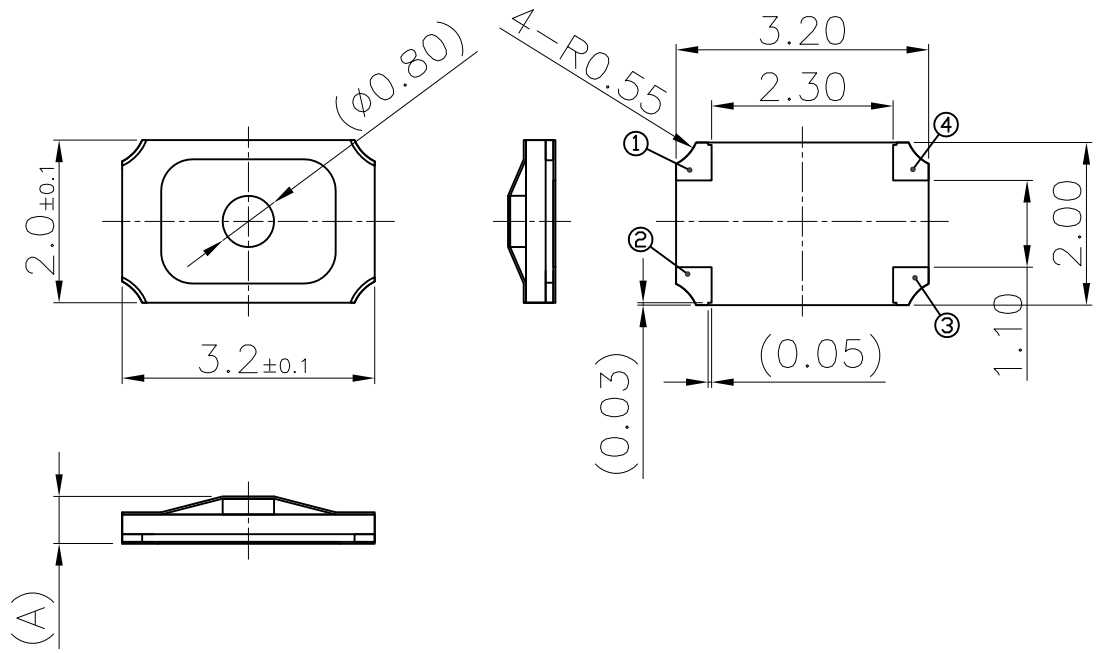
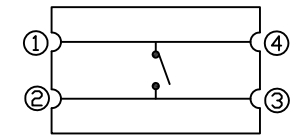
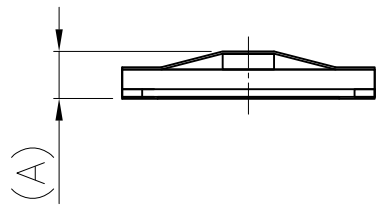


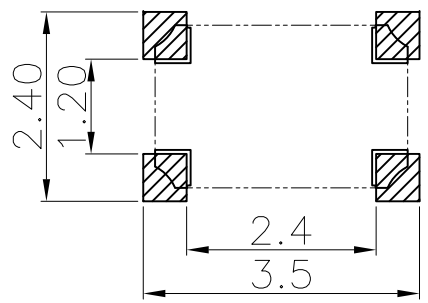
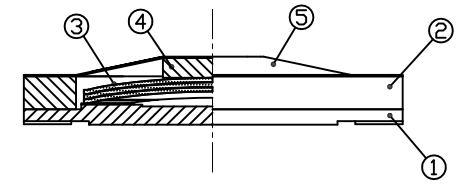
No	Description of Revision
▲	



No	ROSWIN Part No	(A) Height	Push force
1	R3220DS65F12S14-C	0.65±0.1	1.2N
2	R3220DS65F16S14-C		1.6N
3	R3220DS65F20S14-C		2.0N
4	R3220DS65F24S14-C		2.4N



Circuit Diagram



Recommend Land Pattern

5	Cover film	1	Polyimide & Epoxy	Yellow Color
4	Actuator	1	Polyimide & Epoxy	
3	Metal dome	1~3	SUS301	Ag plating
2	Guide film	1	Polyimide & Epoxy	
1	PCB	1	Cu PSR	Au+Ni plating

NO	Part Name	Qty	Material	Finish
General Tolerance				
Dimension	mm (°)			
x	± 0.2			
x.x	± 0.1			
x.xx	± 0.05			
x.xxx	± 0.01			
ANGLE	± 1°			



TITLE		R3220DS-C Series SMD DOME SWITCH			SHEET No. 1 of 2
Drawn	Design	Check	Review	Approve	
KY.LEE	KY.LEE			KY.LEE	