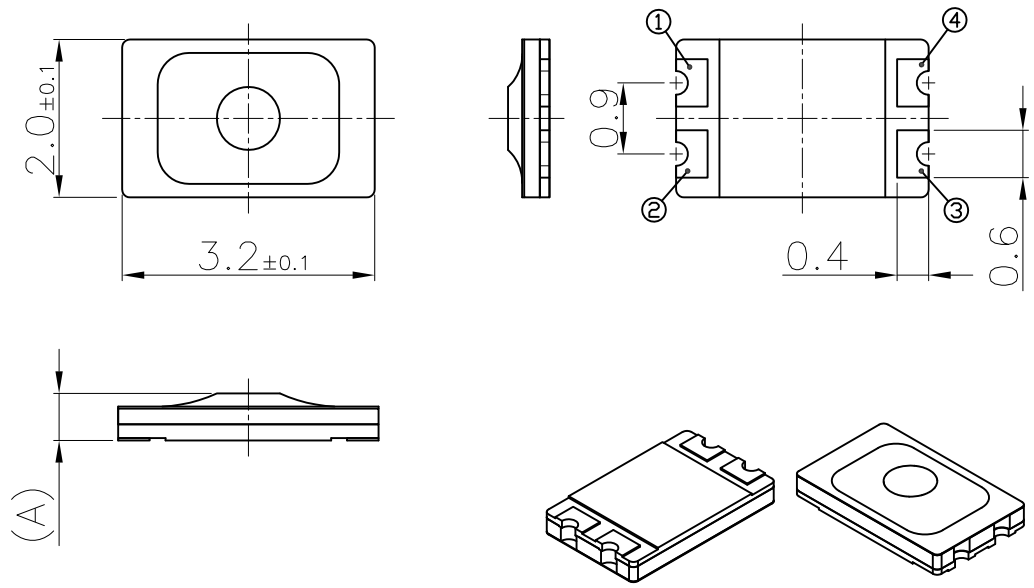
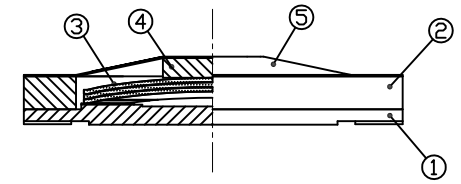
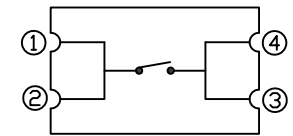


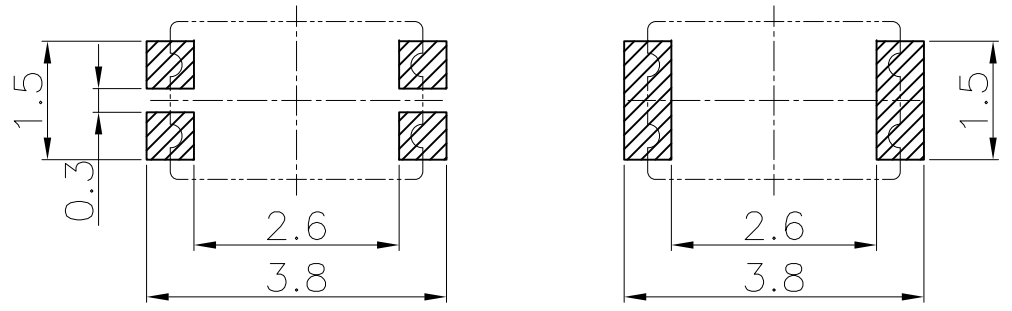
No	Description of Revision	Name	Approve	Date
▲				



No	ROSWIN Part No	(A) Heiget	Push force	Cover film Color
1	R3220DS60F16R20	0.60±0.1	1.6N	Black
2	R3220DS60F16R14			Yellow
3	R3220DS60F18R20		1.8N	Black
4	R3220DS60F18R14			Yellow
5	R3220DS60F20R20		2.0N	Black
6	R3220DS60F20R14			Yellow
7	R3220DS60F24R20		2.4N	Black
8	R3220DS60F24R14			Yellow
9	R3220DS60F30R20	3.0N	Black	
10	R3220DS60F30R14		Yellow	
11	R3220DS65F18R20	0.65±0.1	1.8N	Black
12	R3220DS65F18R14			Yellow



Circuit Diagram



Recommend Land Pattern

5	Cover film	1	Polyimide & Epoxy	
4	Actuator	1	Polyimide & Epoxy	
3	Metal dome	1~3	SUS301	Ag plating
2	Guide film	1	Polyimide & Epoxy	
1	PCB	1	Cu PSR	Au+Ni plating

NO	Part Name	Qty	Material	Finish
General Tolerance				
Dimension	mm (°)			
x	± 0.2			
x.x	± 0.1			
x.xx	± 0.05			
x.xxx	± 0.01			
ANGLE	± 1°			



TITLE		R3220DS Series			SHEET No.
		SMD DOME SWITCH			1 of 2
Drawn	Design	Check	Review	Approve	
KY.LEE	KY.LEE				KY.LEE