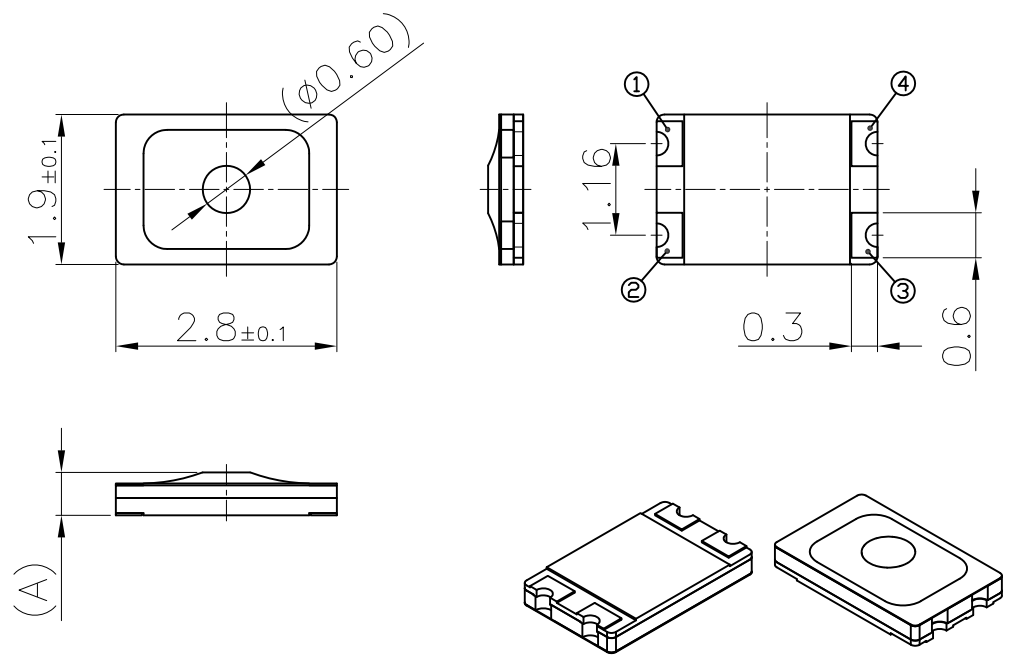
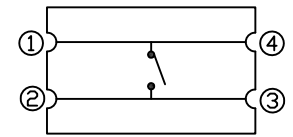
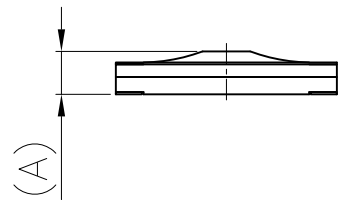


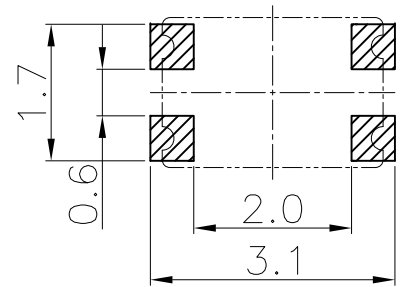
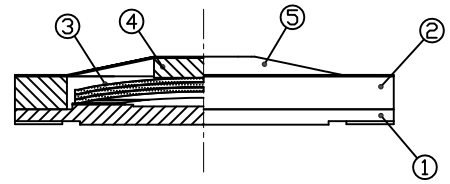
No	Description of Revision	Name	Approve	Date
△				



No	ROSWIN Part No	(A) Height	Push force	Cover film Color
1	R2819DS55F10S20	0.55±0.1	1.0N	Black
2	R2819DS55F10S14			Yellow
3	R2819DS55F12S20		1.2N	Black
4	R2819DS55F12S14			Yellow
5	R2819DS55F16S20		1.6N	Black
6	R2819DS55F16S14			Yellow
7	R2819DS55F20S20		2.0N	Black
8	R2819DS55F20S14			Yellow
9	R2819DS55F24S20		2.4N	Black
10	R2819DS55F24S14			Yellow
11	R2819DS55F30S20		3.0N	Black
12	R2819DS55F30S14			Yellow
13	R2819DS60F12S14	0.60±0.1	1.2N	Yellow
14	R2819DS60F16S14		1.6N	Yellow
15	R2819DS65F16S14		1.6N	Yellow



Circuit Diagram



Recommend Land Pattern

5	Cover film	1	Polyimide & Epoxy	
4	Actuator	1	Polyimide & Epoxy	
3	Metal dome	1~3	SUS301	Ag plating
2	Guide film	1	Polyimide & Epoxy	
1	PCB	1	Cu PSR	Au+Ni plating

NO	Part Name	Qty	Material	Finish
General Tolerance				
Dimension	mm (°)			
x	± 0.2			
x.x	± 0.1			
x.xx	± 0.05			
x.xxx	± 0.01			
ANGLE	± 1°			



TITLE		R2819DS Series			SHEET No.
		SMD DOME SWITCH			1 of 2
Drawn	Design	Check	Review	Approve	
KY.LEE	KY.LEE				KY.LEE