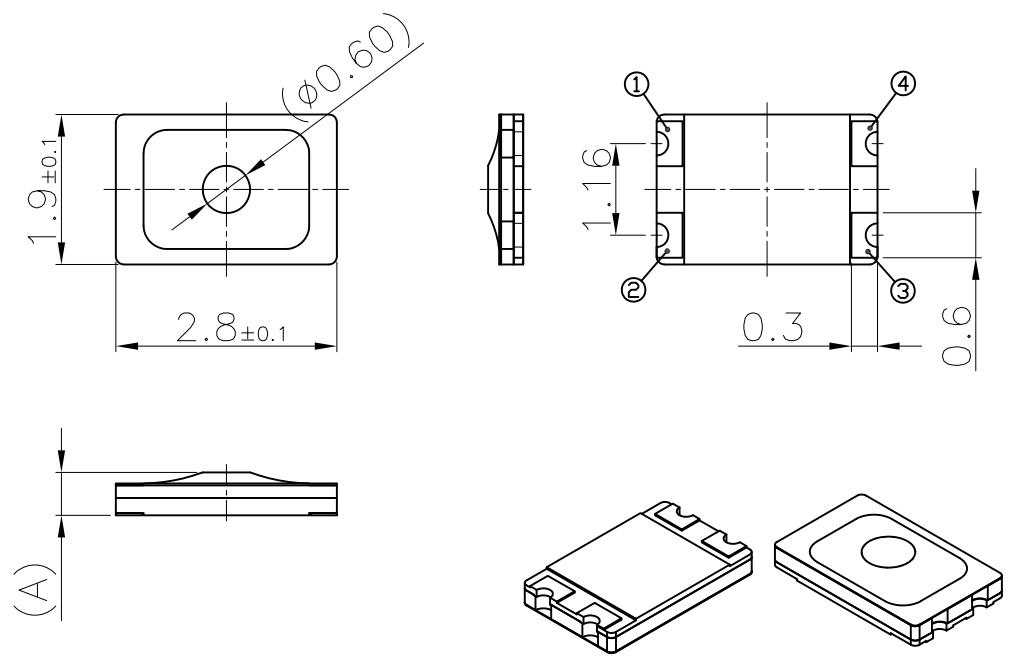
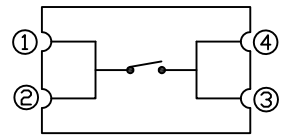


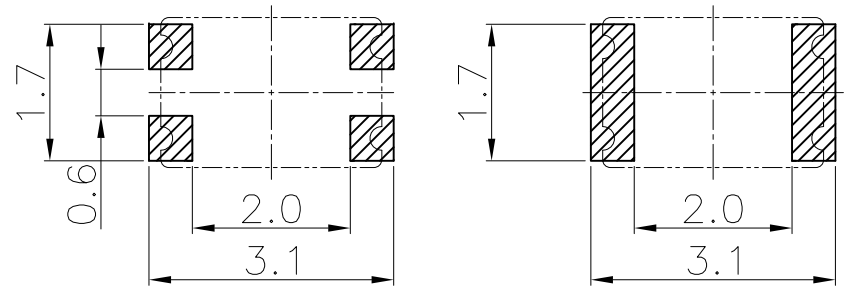
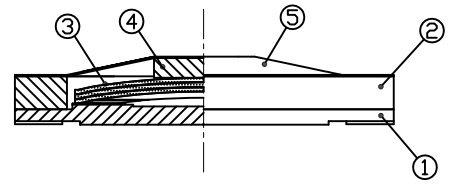
| No | Description of Revision | Name | Approve | Date |
|----|-------------------------|------|---------|------|
| ▲  |                         |      |         |      |



| No | ROSWIN Part No  | (A) Height | Push force | Cover film Color |
|----|-----------------|------------|------------|------------------|
| 1  | R2819DS55F10R20 | 0.55±0.1   | 1.0N       | Black            |
| 2  | R2819DS55F10R14 |            |            | Yellow           |
| 3  | R2819DS55F12R20 |            | 1.2N       | Black            |
| 4  | R2819DS55F12R14 |            |            | Yellow           |
| 5  | R2819DS55F16R20 |            | 1.6N       | Black            |
| 6  | R2819DS55F16R14 |            |            | Yellow           |
| 7  | R2819DS55F20R20 |            | 2.0N       | Black            |
| 8  | R2819DS55F20R14 |            |            | Yellow           |
| 9  | R2819DS55F24R20 |            | 2.4N       | Black            |
| 10 | R2819DS55F24R14 |            |            | Yellow           |
| 11 | R2819DS55F30R20 |            | 3.0N       | Black            |
| 12 | R2819DS55F30R14 |            |            | Yellow           |
| 13 | R2819DS60F12R14 | 0.60±0.1   | 1.2N       | Yellow           |
| 14 | R2819DS60F16R14 |            |            | Yellow           |
| 15 | R2819DS65F16R14 | 0.65±0.1   | 1.6N       | Yellow           |



Circuit Diagram



Recommend Land Pattern

|   |            |     |                   |               |
|---|------------|-----|-------------------|---------------|
| 5 | Cover film | 1   | Polyimide & Epoxy |               |
| 4 | Actuator   | 1   | Polyimide & Epoxy |               |
| 3 | Metal dome | 1~3 | SUS301            | Ag plating    |
| 2 | Guide film | 1   | Polyimide & Epoxy |               |
| 1 | PCB        | 1   | Cu<br>PSR         | Au+Ni plating |

| NO                | Part Name | Qty | Material | Finish |
|-------------------|-----------|-----|----------|--------|
| General Tolerance |           |     |          |        |
| Dimension         | mm (°)    |     |          |        |
| x                 | ± 0.2     |     |          |        |
| x.x               | ± 0.1     |     |          |        |
| x.xx              | ± 0.05    |     |          |        |
| x.xxx             | ± 0.01    |     |          |        |
| ANGLE             | ± 1°      |     |          |        |



| TITLE           |        | R2819DS Series |        |         | SHEET No. |
|-----------------|--------|----------------|--------|---------|-----------|
| SMD DOME SWITCH |        |                |        |         | 1 of 2    |
| Drawn           | Design | Check          | Review | Approve |           |
| KY.LEE          | KY.LEE |                |        |         | KY.LEE    |