

TPT Series Ultra Low Profile Top Actuated

Features

- Smallest footprint 3.0 x 2.0 mm
- 0.6 /0.4 mm thickness
- High number of cycle

Typical Applications

- Wearable electronics
- In-Ear headphones, Earbuds
- Mobile Phones
- Portable Electronics
- Hearing Aids

Specification

FUNCTION: momentary action
 CONTACT ARRANGEMENT: 1 make contact = SPST, N.O.
 TERMINALS: G type for SMT
 TRAVEL:NUMBER 1and2 0.18 mm ± 0.05 mm
 TRAVEL:NUMBER 3 0.15 mm ± 0.05 mm

Mechanical

	Operating force gf	Operating Life	Casing Color
TPT-1B1	160 ± 50	500,000	Black
TPT-1C1	250 ± 50	500,000	Black
TPT-2B1	160 ± 50	500,000	Black
TPT-1C1	250 ± 50	500,000	Black
TPT-3B1	160 ± 50	300,000	Black
TPT-3C1	250 ± 50	300,000	Black

Electrical

MAXIMUM VOLTAGE: 15 VDC
 MAXIMUM CURRENT DC: 20 mA
 DIELECTRIC STRENGTH: (50/60 Hz, 1 min) 250 Vrms
 CONTACT RESISTANCE: ≤ 500 mΩ
 INSULATION RESISTANCE: ≥ 50 MΩ
 BOUNCE TIME: ≤ 10 ms

Environmental

OPERATING TEMPERATURE: -30°C to 85°C
 STORAGE TEMPERATURE: -30°C to 85°C

Process

SOLDERING: This component is suited to the following methods:
 Infrared Reflow Soldering in accordance with IEC61760-1

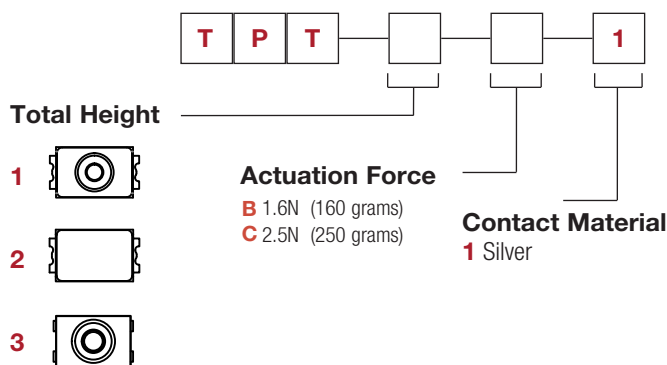
Packaging

In reels of 1.0000 pieces
 Dimensions of reels according to EIA 481B
 External diameter 330 mm

NOTE: Specifications listed above are for switches with standard options.
 For information on specific and custom switches, consult Customer Service Center.

Part Number Description

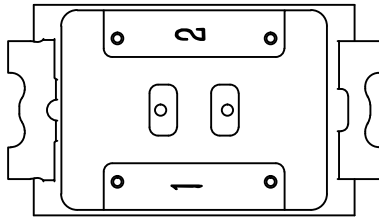
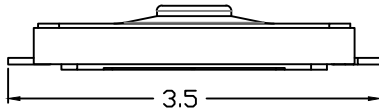
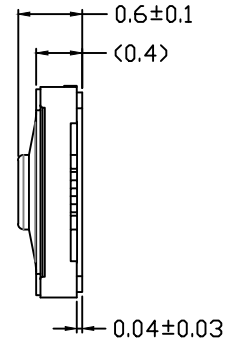
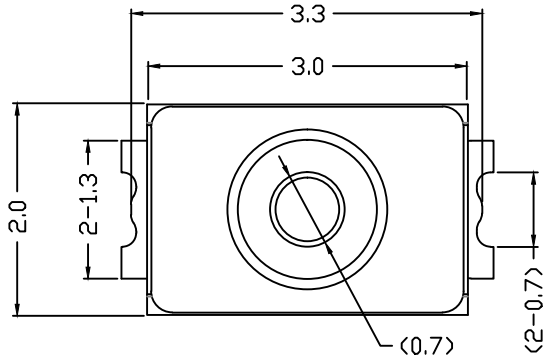
For any part number different from those listed above, please consult your local representative.



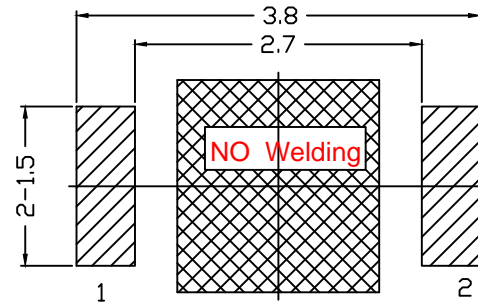
Dimensions are shown:mm
 Specifications and dimensions subject to change

TPT Series Ultra Low Profile Top Actuated

TPT-1B1
TPT-1C1

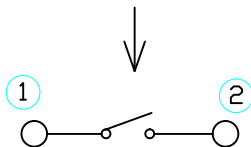


PCB layout



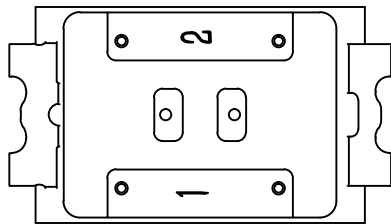
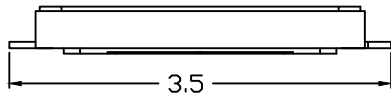
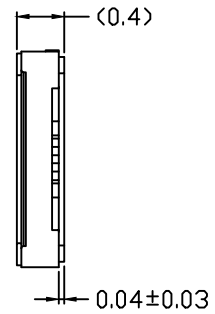
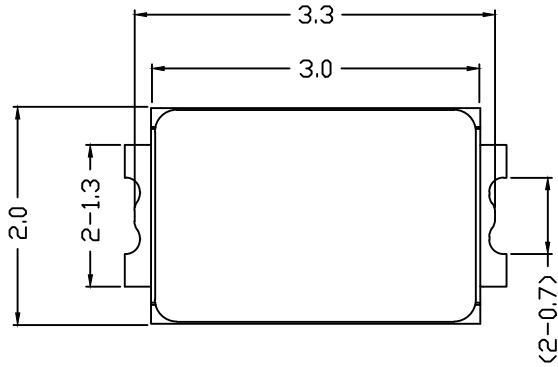
P. C. B LAND DIMENSION

Circuit Diagram

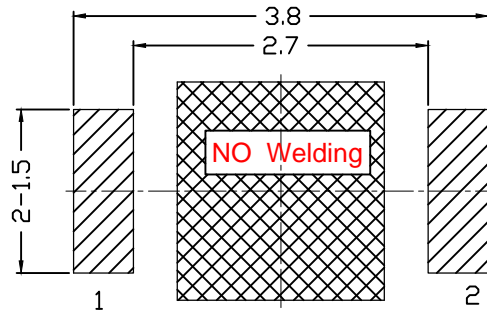


TPT Series Ultra Low Profile Top Actuated

TPT-2B1
TPT-2C1

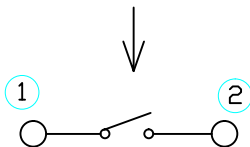


PCB.layout



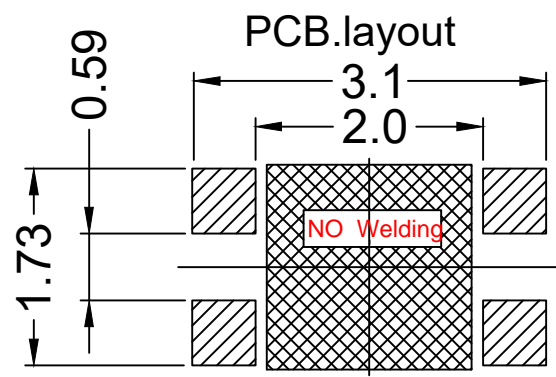
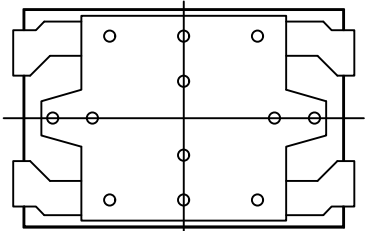
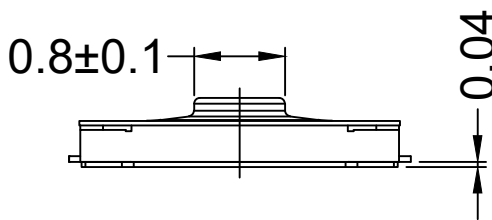
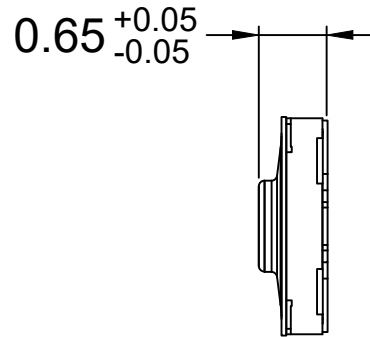
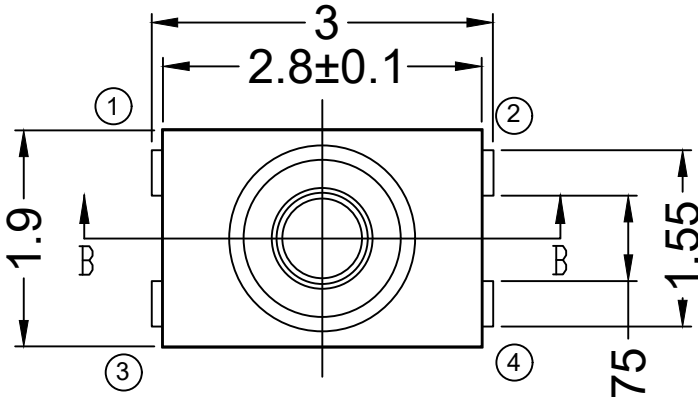
P. C. B LAND DIMENSION

Circuit Diagram



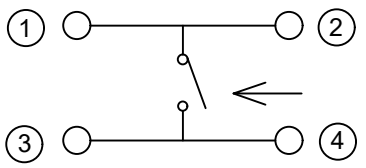
TPT Series Ultra Low Profile Top Actuated

TPT-3B1
TPT-3C1



P. C. B LAND DIMENSION

Circuit Diagram



Tactile Switches

