

TPS635 Series 3,5 mm Tact Switches

Tactile Switches

Features/Benefits

- Compact size 6 x 3.5 mm
- Variety of switch heights
- Choice of actuation force
- RoHS compliant and compatible

Typical Applications

- Consumer products
- Instrumentation
- Computer products
- Industrial



Specification

FUNCTION: Momentary action
CONTACT ARRANGEMENT: SPST, N.O.
TERMINALS: PC pins

Mechanical

ACTUATION FORCE: TPS635 models: 160 grams.
TPS635 models: 250 grams.
LIFE EXPECTANCY: 30,000 operations.

Electrical

CONTACT RATING: 50 mA @ 12 V DC.
DIELECTRIC STRENGTH: 250 V AC min.
CONTACT RESISTANCE: 100 mΩ max. initial.
INSULATION RESISTANCE: 10¹¹Ω min.

Environmental

OPERATING TEMPERATURE: -10°C to 70°C

NOTE: Specifications listed above are for switches with standard options.
For information on specific and custom switches, consult Customer Service Center.

Process

SOLDERING: Preheating to 100°C for 45 sec. max. Keep flux flush with top surface of PCB; do not apply to component side of PCB and area where terminals are located. Soldering to 255°C for 5 sec. max. Clean by brushing on solder surface. Do not clean switch with solvents.

Materials

BASE: 6/6 nylon or glass filled polyester (PBT) (UL 94V-0).
ACTUATOR: 6/6 nylon or polyacetal (UL 94HB).
COVER PLATE: Tin plated stainless steel
DOME CONTACTS: Phosphor bronze, silver clad.
STATIONARY CONTACTS: Brass, silver plated.
TERMINALS: Brass, silver plated. Insert molded.

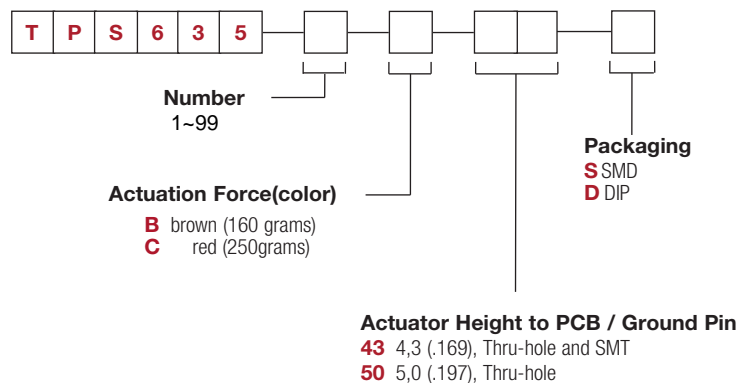
Packaging

Bulk packaging.

Tape & reel for:
2000 pcs per reel

How To Order

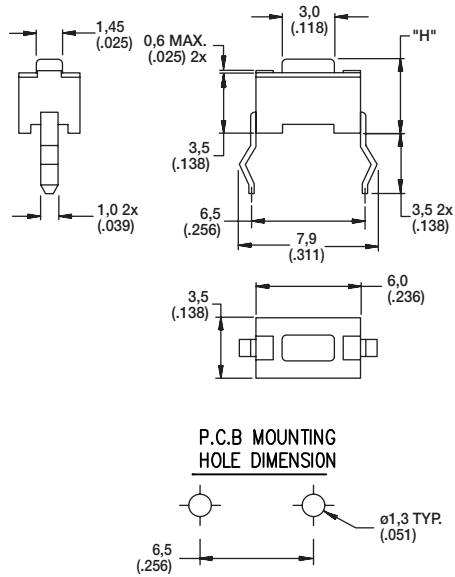
Our easy build-a-switch concept allows you to mix and match options to create the switch you need. To order, select desired option from each category and place it in the appropriate box.



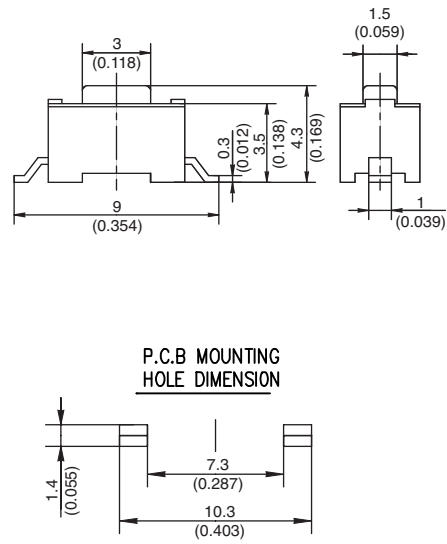
* SMTR only available with TPS635 43 Actuator Height options.

TPS635 Series 3,5 mm Tact Switches

TPS635-1XXXD



TPS635-2XXXS



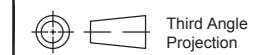
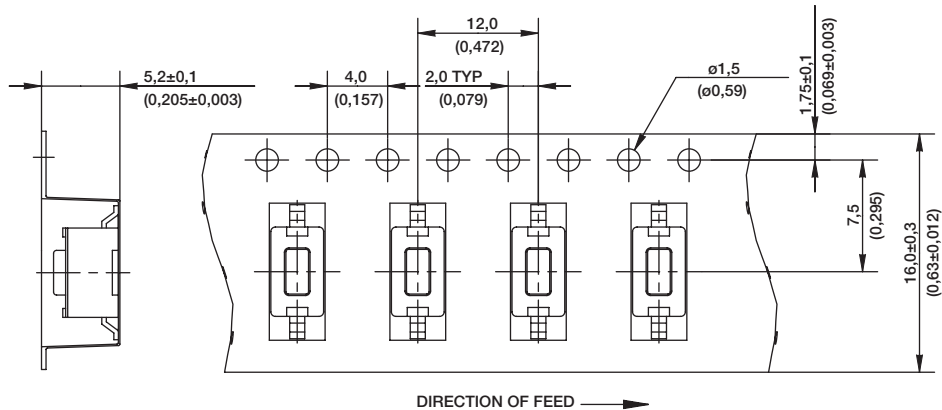
ACTUATION FORCE

OPTION CODE	FORCE
B	160 grams
C	250 grams

ACTUATOR HEIGHT

OPTION CODE	HEIGHT "H" or LENGTH "L"	TERMINATION	SCHEMATIC
43	4,3mm	Thru-hole & SMT	1 2
50	5,0 mm	Thru-hole	

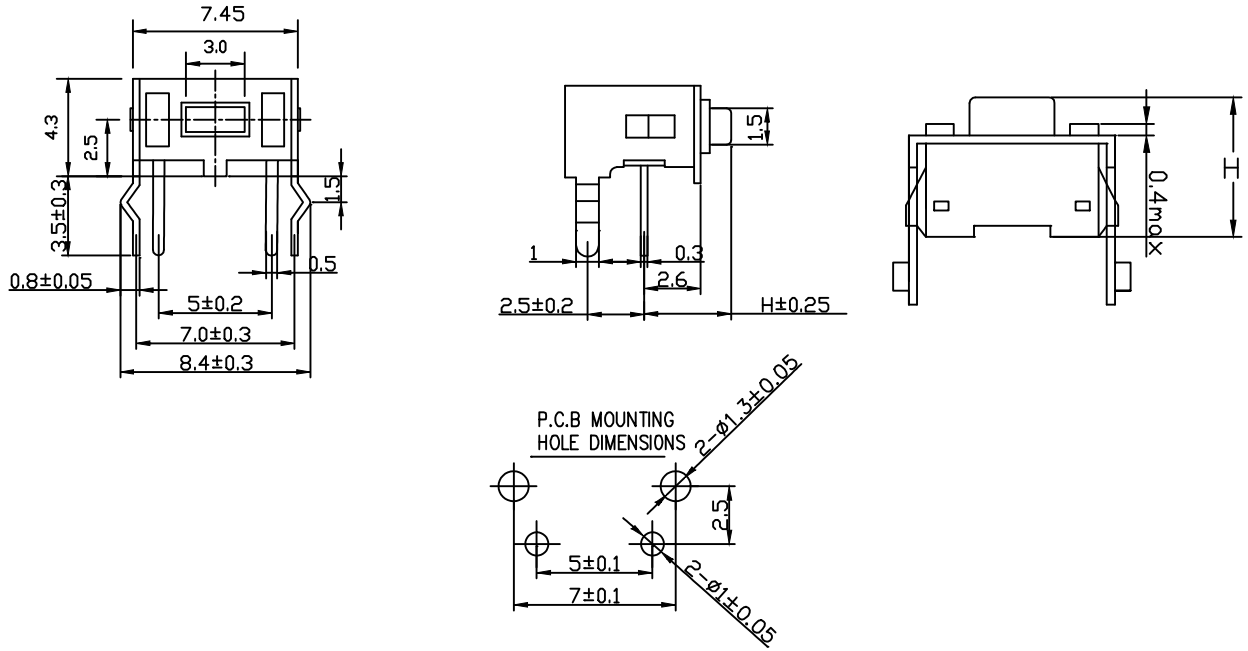
INSERTION TYPE



Dimensions are shown:mm
Specifications and dimensions subject to change

TPS635 Series 3,5 mm Tact Switches

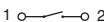
TPS635-3XXXD



ACTUATION FORCE

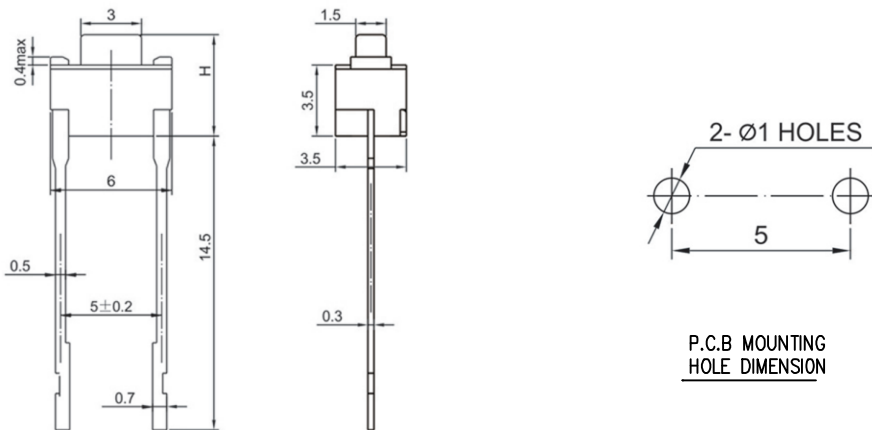
OPTION CODE	FORCE
B	160 grams
C	250 grams

ACTUATOR HEIGHT

OPTION CODE	HEIGHT "H" or LENGTH "L"	TERMINATION	SCHEMATIC
43	4,3mm	Thru-hole & SMT	1  2
50	5,0 mm	Thru-hole	

TPS635 Series 3,5 mm Tact Switches

TPS635-4XXXD




Tactile Switches

ACTUATION FORCE

OPTION CODE	FORCE
B	160 grams
C	250 grams

ACTUATOR HEIGHT

OPTION CODE	HEIGHT "H" or LENGTH "L"	TERMINATION	SCHEMATIC
43	4,3mm	Thru-hole & SMT	1  2
50	5,0 mm	Thru-hole	