

### Brief Description

The ZSPM4551 is a DC/DC synchronous switching lithium-ion (Li-Ion) battery charger with fully integrated power switches, internal compensation, and full fault protection.

Its switching frequency of 1MHz enables the use of small filter components, resulting in smaller board space and reduced BOM costs.

In Full-Charge Constant-Current Mode, the regulation is for constant current (CC). Once termination voltage is reached, the regulator operates in voltage mode. When the regulator is disabled (the EN pin is low), the device draws 10µA (typical) quiescent current.

The ZSPM4551 includes supervisory reporting through the NFLT (inverted fault) open-drain output to interface other components in the system. Device programming is achieved by an I<sup>2</sup>C™\* interface through the SCL and SDA pins.

### Benefits

- Up to 1.5A of continuous output current in Full-Charge Constant-Current (CC) Mode
- High efficiency – up to 92% with typical loads

### Available Support

- Evaluation Kit
- Support Documentation

### Features

- VBAT reverse-current blocking
- Programmable temperature-compensated termination voltage: 3.94V to 4.18V ± 1%
- User programmable maximum charge current: 50mA to 1500mA
- Current mode PWM control in constant voltage
- Supervisor for VBAT reported at the NFLT pin
- Input supply under-voltage lockout
- Full protection for over-current, over-temperature, VBAT over-voltage, and charging timeout
- Charge status indication
- I<sup>2</sup>C™ program interface with EEPROM registers

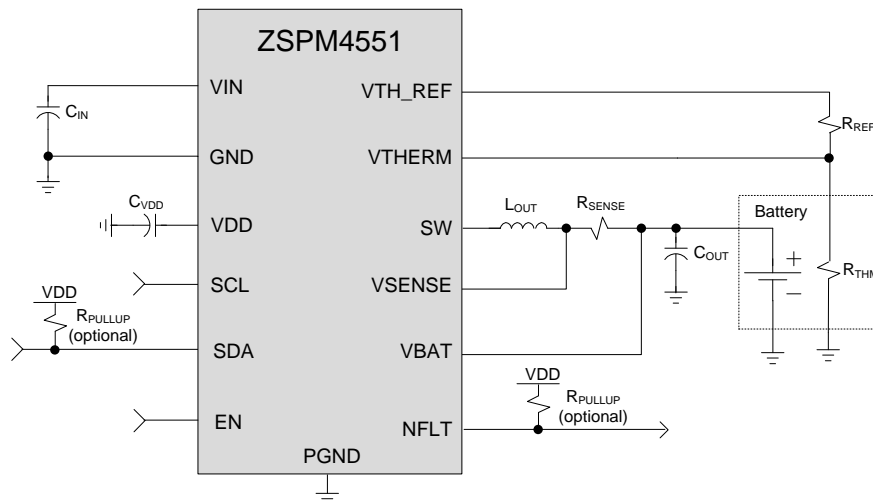
### Related IDT Smart Power Products

- ZSPM4121 Ultra-low Power Under-Voltage Switch
- ZSPM4141 Ultra-Low-Power Linear Regulator

### Physical Characteristics

- Wide input voltage range: V<sub>BAT</sub> + 0.3V (3.5V min.) to 7.2V
- Junction operating temperature: -40°C to 125°C
- Package: 16-pin PQFN (4mm x 4mm)

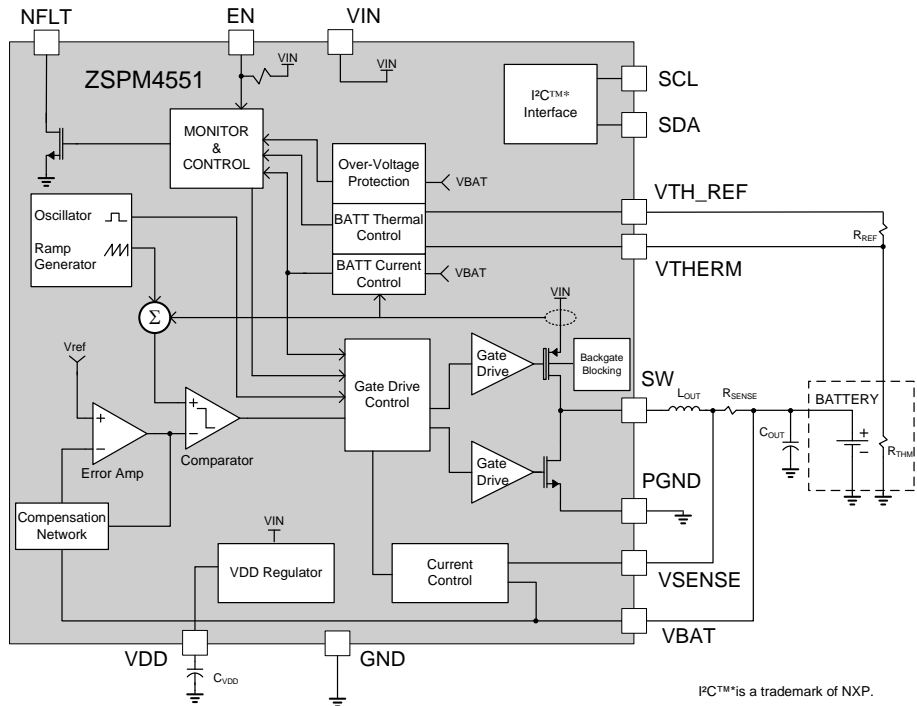
### ZSPM4551 Application Circuit



\* I<sup>2</sup>C™ is a trademark of NXP.

**ZSPM4551 Block Diagram**

- Typical Applications**
- Portable battery chargers
  - Smart phones
  - Laptops
  - Tablets/e-readers



PC™ is a trademark of NXP.

**Ordering Information**

Ordering Code	Description	Package
ZSPM4551AA1W	ZSPM4551 High-Efficiency Li-Ion Battery Charger	16-pin PQFN / 7" Reel (1000 parts)
ZSPM4551AA1R	ZSPM4551 High-Efficiency Li-Ion Battery Charger	16-pin PQFN / 13" Reel (3300 parts)
ZSPM4551KIT	ZSPM4551 Evaluation Kit	

## Contents

1	ZSPM4551 Characteristics.....	5
1.1.	Absolute Maximum Ratings.....	5
1.2.	Thermal Characteristics.....	6
1.3.	Recommended Operating Conditions .....	6
1.4.	Electrical Characteristics .....	7
1.5.	I <sup>2</sup> C™ Interface Timing Requirements.....	10
2	Functional Description.....	11
2.1.	Internal Protection .....	12
2.1.1.	VIN Under-Voltage Lockout .....	12
2.1.2.	Internal Current Limit .....	12
2.1.3.	Thermal Shutdown .....	12
2.1.4.	VBAT Over-Voltage Protection .....	12
2.2.	Fault Handling.....	13
2.2.1.	NFLT Pin Functionality.....	13
2.2.2.	Other Faults .....	13
2.3.	Serial Interface .....	15
2.3.1.	I <sup>2</sup> C™ Subaddress Definition .....	15
2.3.2.	I <sup>2</sup> C™ Bus Operation.....	15
2.4.	Status and Configuration Registers.....	17
3	Application Circuits.....	22
3.1.	Typical Application Circuit .....	22
3.2.	Selection of External Components .....	22
3.2.1.	C <sub>OUT</sub> Output Capacitor .....	22
3.2.2.	L <sub>OUT</sub> Output Inductor .....	22
3.2.3.	C <sub>IN</sub> Bypass Capacitor .....	22
3.2.4.	C <sub>VDD</sub> Bypass Capacitor for VDD Internal Reference Voltage Output .....	22
3.2.5.	R <sub>SENSE</sub> Output Sensing Resistor .....	23
3.2.6.	Pull-up Resistors .....	23
4	Pin Configuration and Package.....	23
4.1.	ZSPM4551 Package Dimensions.....	23
4.2.	Pin-Out Assignments.....	24
4.3.	Pin Description for 16-Pin PQFN (4 x 4 mm) .....	24
4.4.	Package Markings .....	25
5	Layout Recommendations.....	26
5.1.	Multi-Layer PCB Layout.....	26
5.2.	Single-Layer PCB Layout .....	27
6	Ordering Information .....	28
7	Related Documents.....	28
8	Document Revision History.....	29

## List of Figures

Figure 2.1	ZSPM4551 Block Diagram .....	11
Figure 2.2	Charging State Diagram .....	14
Figure 2.3	Subaddress in I <sup>2</sup> C™ Transmission.....	15
Figure 2.4	I <sup>2</sup> C™ Start / Stop Protocol.....	16
Figure 2.5	I <sup>2</sup> C™ Data Transmission Timing .....	16
Figure 3.1	Typical Application Circuit for Charging a Lithium-Ion Battery .....	22
Figure 4.1	PQFN-16 Package Dimensions.....	23
Figure 4.2	ZSPM4551 Pin Assignments.....	24
Figure 4.3	Marking Diagram 16-Pin PQFN (4 x 4 mm).....	25
Figure 5.1	Package and PCB Land Configuration for Multi-Layer PCB .....	26
Figure 5.2	JEDEC Standard FR4 Multi-Layer Board – Cross-Sectional View.....	26
Figure 5.3	Conducting Heat Away from the Die using an Exposed Pad Package .....	27
Figure 5.4	Application Using a Single-Layer PCB .....	28

## List of Tables

Table 1.1	Absolute Maximum Ratings.....	5
Table 1.2	Thermal Characteristics.....	6
Table 1.3	Recommended Operating Conditions .....	6
Table 1.4	Electrical Characteristics .....	7
Table 1.5	I <sup>2</sup> C™ Interface Timing Characteristics.....	10
Table 2.1	Register Descriptions (Device Address = 48 <sub>HEX</sub> ).....	17
Table 2.2	STATUS Register—Address 00 <sub>HEX</sub> .....	17
Table 2.3	Configuration Register CONFIG1—Address 02 <sub>HEX</sub> .....	18
Table 2.4	Configuration Register CONFIG2—Address 03 <sub>HEX</sub> .....	18
Table 2.5	Configuration Register CONFIG3—Address 04 <sub>HEX</sub> .....	19
Table 2.6	Configuration Register CONFIG4—Address 05 <sub>HEX</sub> .....	19
Table 2.7	Configuration Register CONFIG5—Address 06 <sub>HEX</sub> .....	20
Table 2.8	Enable Configuration Register CONFIG_ENABLE—Address 11 <sub>HEX</sub> .....	21
Table 2.9	EEPROM Control Register EEPROM_CTRL—Address 12 <sub>HEX</sub> .....	21
Table 4.1	Pin Description.....	24

# 1 ZSPM4551 Characteristics

Important: Stresses beyond those listed under “Absolute Maximum Ratings” (section 1.1) may cause permanent damage to the device. These are stress ratings only, and functional operation of the device at these or any other conditions beyond those indicated under “Recommended Operating Conditions” is not implied. Exposure to absolute–maximum–rated conditions for extended periods may affect device reliability.

## 1.1. Absolute Maximum Ratings

Over operating free–air temperature range unless otherwise noted.

**Table 1.1 Absolute Maximum Ratings**

Parameter	Value <sup>1)</sup>	Unit
VIN, EN, NFLT, SCL, SDA, VTERM, VTH_REF, VBAT, VSENSE	-0.3 to 8	V
SW	-1 to 8.8	V
VDD	-0.3 to 3.6	V
Operating Junction Temperature Range, T <sub>J</sub>	-40 to 125	°C
Storage Temperature Range, T <sub>STOR</sub>	-65 to 150	°C
Electrostatic Discharge – Human Body Model <sup>2)</sup>	±2k	V
Electrostatic Discharge – Machine Model <sup>2)</sup>	+/-200	V
Lead Temperature (soldering, 10 seconds)	260	°C
<p>1) All voltage values are with respect to network ground terminal.</p> <p>2) ESD testing is performed according to the respective JESD22 JEDEC standard.</p>		

## 1.2. Thermal Characteristics

**Table 1.2 Thermal Characteristics**

Parameter	Symbol	Value <sup>1)</sup>	Unit
Thermal Resistance Junction to Air <sup>1)</sup>	$\theta_{JA}$	50	°C/W
1) Assumes a 4x4mm QFN-16 in 1 in <sup>2</sup> area of 2 oz. copper and 25°C ambient temperature.			

## 1.3. Recommended Operating Conditions

**Table 1.3 Recommended Operating Conditions**

Parameter	Symbol	Min	Typ	Max	Unit
Input Operating Voltage at VIN Pin	$V_{IN}$	$V_{BAT} + 0.3V$ (3.5V min)	5.3	7.2	V
Sense Resistor	$R_{SENSE}$		50		mΩ
Output Filter Inductor Typical Value <sup>1)</sup>	$L_{OUT}$		4.7		μH
Output Filter Capacitor Typical Value <sup>2)</sup>	$C_{OUT}$		4.7		μF
Output Filter Capacitor ESR	$C_{OUT-ESR}$			100	mΩ
Input Supply Bypass Capacitor Value <sup>3)</sup>	$C_{IN}$	3.3	10		μF
VDD Supply Bypass Capacitor Value <sup>2)</sup>	$C_{VDD}$	70	100	130	nF
Operating Free Air Temperature	$T_A$	-40		85	°C
Operating Junction Temperature	$T_J$	-40		125	°C
1) For best performance, use an inductor with a saturation current rating higher than the maximum $V_{BAT}$ load requirement plus the inductor current ripple. 2) For best performance, use a low ESR ceramic capacitor. 3) For best performance, use a low ESR ceramic capacitor. If $C_{IN}$ is not a low ESR ceramic capacitor, add a 0.1 μF ceramic capacitor in parallel to $C_{IN}$ .					

## 1.4. Electrical Characteristics

Electrical characteristics  $T_J = -40^{\circ}\text{C}$  to  $125^{\circ}\text{C}$ ,  $V_{IN} = 5.3\text{V}$ , (unless otherwise noted)

**Table 1.4 Electrical Characteristics**

Parameter	Symbol	Condition	Min	Typ	Max	Unit
<b>VIN Supply Voltage</b>						
Voltage Input	$V_{IN}$		$V_{BAT}+0.3\text{V}$ (3.5V min)	5.3	7.2	V
Quiescent Current Normal Mode	$I_{CC-NORM}$	$I_{LOAD} = 0\text{A}$ , no switching $EN \geq 2.2\text{V}$ (HIGH)		3		mA
Quiescent Current Disabled Mode	$I_{CC-DISABLE}$	$EN = 0\text{V}$		10	50	$\mu\text{A}$
<b>VBAT Leakage</b>						
Leakage Current From Battery	$I_{BAT-LEAK}$	$EN = 0\text{V}$ , $V_{VBAT} = 4.1\text{V}$			10	$\mu\text{A}$
Reverse Current	$I_{BAT-BACK}$	$VBAT > V_{IN}$ , $VBAT = 4.1\text{V}$ , $T_J < 85^{\circ}\text{C}$			10	$\mu\text{A}$
<b>VIN Under-Voltage Lockout</b>						
Input Supply Under-Voltage Threshold	$V_{IN-UV}$	$V_{IN}$ increasing		3.15		V
Input Supply Under-Voltage Threshold Hysteresis	$V_{IN-UV-HYST}$		100	200		mV
<b>OSC</b>						
Oscillator Frequency	$f_{OSC}$		0.9	1	1.1	MHz
<b>NFLT Open Drain Output</b>						
High-Level Output Leakage	$I_{OH-NFLT}$	$V_{NFLT} = 5.3\text{V}$		0.1		$\mu\text{A}$
Low-Level Output Voltage	$V_{OL-NFLT}$	$I_{NFLT} = -1\text{mA}$			0.4	V
<b>EN/SCL/SDA Input Voltage Thresholds</b>						
High Level Input Voltage	$V_{IH}$		2.2			V
Low Level Input Voltage	$V_{IL}$				0.8	V
Input Hysteresis – EN, SCL, SDA Pins	$V_{HYST}$			200		mV

Parameter	Symbol	Condition	Min	Typ	Max	Unit
Input Leakage – EN Pin	$I_{IN-EN}$	$V_{EN}=V_{IN}$		0.1		$\mu A$
		$V_{EN}=0V$		-2.0		$\mu A$
Input Leakage – SCL Pin	$I_{IN-SCL}$	$V_{SCL}=V_{IN}$		55		$\mu A$
		$V_{SCL}=0V$		-0.1		$\mu A$
Input Leakage – SDA Pin	$I_{IN-SDA}$	$V_{SDA}=V_{IN}$		0.1		$\mu A$
		$V_{SDA}=0V$		-0.1		$\mu A$
Low-Level Output Voltage	$V_{OL-SDA}$	$I_{SDA} = -1mA$			0.4	V
<b>Thermal Shutdown</b>						
Thermal Shutdown Junction Temperature	$T_{SD}$		150	170		$^{\circ}C$
TSD Hysteresis	$T_{SD-HYST}$			10		$^{\circ}C$
<b>Pre-Charge End</b>						
Pre-charge Voltage Threshold	$V_{PRECHG}$		2.9	3.0	3.1	V
Pre-charge Voltage Hysteresis	$V_{PC-HYST}$			70		mV
<b>Charge Restart</b>						
Voltage Below Termination for Charging Restart	$V_{RESTART}$			100		mV
<b>Charging Regulator with <math>L_{OUT}=4.7\mu H</math> and <math>C_{OUT}=4.7\mu F</math></b>						
Output Current Limit Tolerance in Full-Charge Mode	$I_{BAT-FC}$	$I_{BAT}$ is user programmable; see Table 2.5.	$I_{BAT} - 10\%$	$I_{BAT}$	$I_{BAT} + 10\%$	A
Termination Voltage Tolerance in Top-Off Mode	$V_{BAT-TO}$	$I_{BAT} = 0.1C$ , $0^{\circ}C < T_J < 85^{\circ}C$ $V_{BAT}$ is user programmable; see section 2.4.	$V_{BAT} - 1\%$	$V_{BAT}$	$V_{BAT} + 1\%$	V
Top-Off Mode Time Out	$t_{TO}$		0		120	Minutes
Full-Charge Timer	$t_{FC}$		200		1400	Minutes
Timer Accuracy	$t_{ACC}$		-10%		+10%	
High Side Switch On Resistance	$R_{DSON}$	$I_{SW} = -1A$ , $T_J=25^{\circ}C$		200		m $\Omega$
Low Side Switch On Resistance		$I_{SW} = 1A$ , $T_J=25^{\circ}C$		250		m $\Omega$
Maximum Output Current	$I_{BAT}$			1.5		A
Over-Current Detect	$I_{OCD}$	HS switch current	2.5			A
$V_{BAT}$ Over-Voltage Threshold	$V_{BAT-OV}$		101% $V_{BAT}$	102% $V_{BAT}$	103% $V_{BAT}$	
Maximum Duty Cycle	$DUTY_{MAX}$			98		%



Parameter	Symbol	Condition	Min	Typ	Max	Unit
<b>Thermistor</b>						
VTH_REF Output Voltage	V <sub>VTH_REF</sub>	I <sub>VTH_REF</sub> = 2μA to 100μA		1.8		V
<b>Thermistor: 10KΩ Temperature Thresholds – β=3434K</b>						
0°C VTHERM Threshold (0°C)	0°C	Decreasing Temperature		75.6		%VTH_REF
0°C VTHERM Threshold with Hysteresis (10°C)	0°C <sub>HYST</sub>	Increasing Temperature		66.5		%VTH_REF
10°C VTHERM Threshold (10°C)	10°C	Decreasing Temperature		66.2		%VTH_REF
10°C VTHERM Threshold with Hysteresis (11°C)	10°C <sub>HYST</sub>	Increasing Temperature		65.4		%VTH_REF
45°C VTHERM Threshold (45°C)	45°C	Increasing Temperature		34.5		%VTH_REF
45°C VTHERM Threshold with Hysteresis (44°C)	45°C <sub>HYST</sub>	Decreasing Temperature		35.3		%VTH_REF
50°C VTHERM Threshold (50°C)	50°C	Increasing Temperature		30.8		%VTH_REF
50°C VTHERM Threshold with Hysteresis (49°C)	50°C <sub>HYST</sub>	Decreasing Temperature		31.5		%VTH_REF
60°C VTHERM Threshold (60°C)	60°C	Increasing Temperature		24.9		%VTH_REF
60°C VTHERM Threshold with Hysteresis (50°C)	60°C <sub>HYST</sub>	Decreasing Temperature		30.8		%VTH_REF
<b>Thermistor: 100KΩ Temperature Thresholds – β=4311K</b>						
0°C VTHERM Threshold (0°C)	0°C	Decreasing Temperature		80.5		%VTH_REF
0°C VTHERM Threshold with Hysteresis (10°C)	0°C <sub>HYST</sub>	Increasing Temperature		69.8		%VTH_REF
10°C VTHERM Threshold (10°C)	10°C	Decreasing Temperature		69.8		%VTH_REF
10°C VTHERM Threshold with Hysteresis (11°C)	10°C <sub>HYST</sub>	Increasing Temperature		68.6		%VTH_REF
45°C VTHERM Threshold (45°C)	45°C	Increasing Temperature		31.3		%VTH_REF
45°C VTHERM Threshold with Hysteresis (44°C)	45°C <sub>HYST</sub>	Decreasing Temperature		32.3		%VTH_REF

Parameter	Symbol	Condition	Min	Typ	Max	Unit
50°C VTHERM Threshold (50°C)	50°C	Increasing Temperature		27.0		%VTH_REF
50°C VTHERM Threshold with Hysteresis (49°C)	50°C <sub>HYST</sub>	Decreasing Temperature		27.8		%VTH_REF
60°C VTHERM Threshold (60°C)	60°C	Increasing Temperature		19.4		%VTH_REF
60°C VTHERM Threshold with Hysteresis (50°C)	60°C <sub>HYST</sub>	Decreasing Temperature		27.0		%VTH_REF

### 1.5. I<sup>2</sup>C™ Interface Timing Requirements

Electrical characteristics T<sub>J</sub> = -40°C to 125°C, V<sub>IN</sub> = 5.3V. See Figure 2.5 for an illustration of the timing specifications given in Table 1.5.

**Table 1.5 I<sup>2</sup>C™ Interface Timing Characteristics**

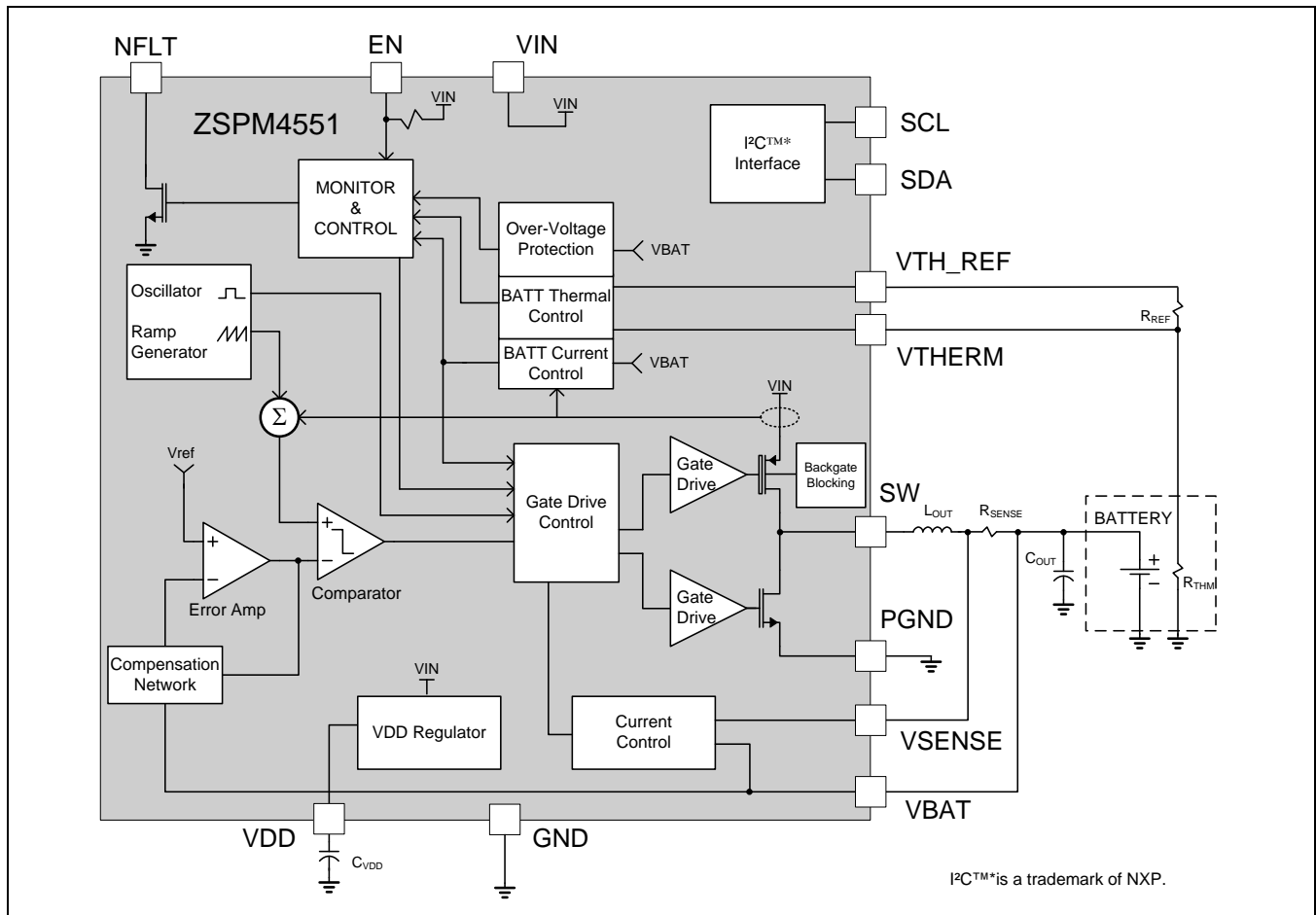
Parameter	Symbol	Standard Mode		Fast Mode <sup>1)</sup>		Unit
		Min	Max	Min	Max	
I <sup>2</sup> C™ Clock Frequency	f <sub>scl</sub>	0	100	0	400	kHz
I <sup>2</sup> C™ Clock High Time	t <sub>sch</sub>	4		0.6		μs
I <sup>2</sup> C™ Clock Low Time	t <sub>scl</sub>	4.7		1.3		μs
I <sup>2</sup> C™ Tolerable Spike Time <sup>2)</sup>	t <sub>sp</sub>	0	50	0	50	ns
I <sup>2</sup> C™ Serial Data Setup Time	t <sub>sds</sub>	250		250		ns
I <sup>2</sup> C™ Serial Data Hold Time	t <sub>sdh</sub>	0		0		μs
I <sup>2</sup> C™ Input Rise Time <sup>2)</sup>	t <sub>icr</sub>		1000		300	ns
I <sup>2</sup> C™ Input Fall Time <sup>2)</sup>	t <sub>icf</sub>		300		300	ns
I <sup>2</sup> C™ Output Fall Time; 10pF to 400pF Bus <sup>2)</sup>	t <sub>ocf</sub>		300		300	ns
I <sup>2</sup> C™ Bus Free Time Between Stop and Start	t <sub>buf</sub>	4.7		1.3		μs
I <sup>2</sup> C™ Start or Repeated Start Condition Setup Time	t <sub>sts</sub>	4.7		0.6		μs
I <sup>2</sup> C™ Start or Repeated Start Condition Hold Time	t <sub>sth</sub>	4		0.6		μs
I <sup>2</sup> C™ Stop Condition Setup Time <sup>2)</sup>	t <sub>sps</sub>	4		0.6		μs

1) The I<sup>2</sup>C™ interface will operate in either standard or fast mode.  
2) Parameter not tested in production.

## 2 Functional Description

The ZSPM4551 is a fully-integrated Li-Ion battery charger IC based on a highly-efficient switching topology. It is configurable for termination voltage, charge current, and additional variables to allow optimum charging conditions for a wide range of Li-Ion batteries. A 1MHz internal switching frequency facilitates low-cost LC filter combinations. Figure 2.1 provides a block diagram for the ZSPM4551.

Figure 2.1 ZSPM4551 Block Diagram



When the battery voltage is below 3.0 volts, the ZSPM4551 enters a pre-charge state and applies a small, programmable charge current to safely charge the battery to a level for which full-charge current can be applied. Once the Full-Charge Mode has been initiated, the regulation will be for constant current (CC). When the battery voltage has increased enough to go into maintenance mode, the PWM control loop will force a constant voltage across the battery. Once in constant voltage mode, current is monitored to determine when the battery is fully charged. See Figure 2.2 for a diagram of the charging states.

This regulation voltage as well as the 1C charging current can be set to change based on the battery temperature. There are four temperature ranges for which the regulation voltage can be set independently: 0°C to 10°C, 10°C to 45°C, 45°C to 50°C, and 50°C to 60°C. The ZSPM4551 will stop charging if the temperature passes the descending temperature threshold at 0°C or the ascending threshold at 60°C. These thresholds have 10 degrees of hysteresis. The intermediate points have 1 degree of hysteresis.

## **2.1. Internal Protection**

### **2.1.1. VIN Under-Voltage Lockout**

The device is held in the off state until the EN pin voltage is HIGH ( $\geq 2.2V$ ) and VIN rises to 3.15V (typical). There is a 200mV hysteresis on this input, which requires the input to fall below 2.95V (typical) before the device will disable.

### **2.1.2. Internal Current Limit**

The current through the inductor  $L_{OUT}$  is sensed on a cycle-by-cycle basis and if the current limit ( $I_{OCD}$ ; see section 1.4) is reached, the ZSPM4551 will abbreviate the cycle. The current limit is always active when the regulator is enabled.

### **2.1.3. Thermal Shutdown**

If the junction temperature of the ZSPM4551 exceeds 170°C (typical), the SW output will tri-state to protect the device from damage. The NFLT and all other protection circuitry will stay active to inform the system of the failure mode. Once the device cools to 160°C (typical), the device will attempt to start up again. If the device reaches 170°C, the shutdown/restart sequence will repeat.

### **2.1.4. VBAT Over-Voltage Protection**

The ZSPM4551 has a battery protection circuit designed to shut down the charging profile if the battery voltage is greater than the termination voltage. The termination voltage can change based on user programming, so the protection threshold is set to 2% above the termination voltage. Shutting down the charging profile puts the ZSPM4551 in a fault condition.

## 2.2. Fault Handling

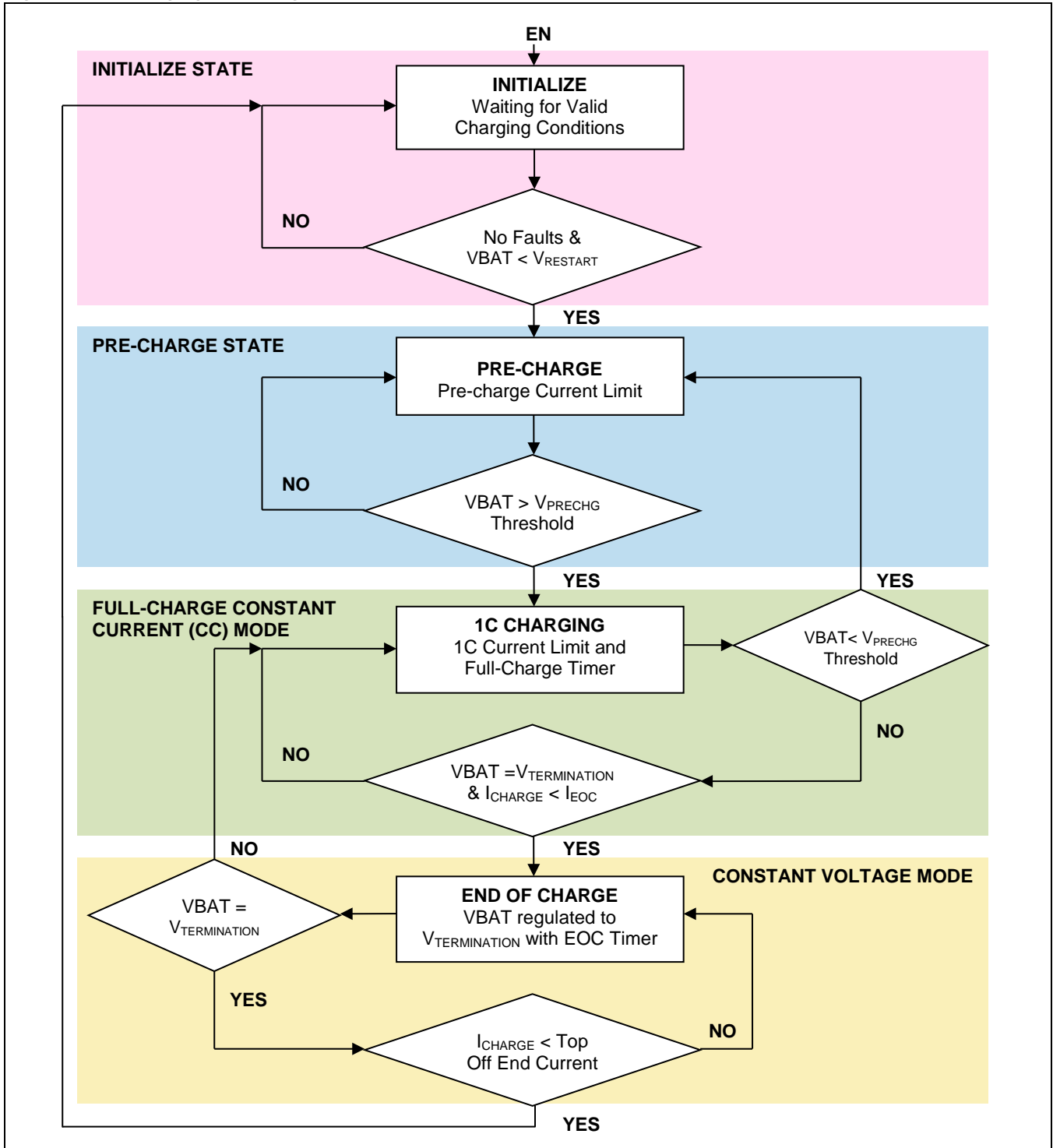
### 2.2.1. NFLT Pin Functionality

In the event of a battery over-voltage, the battery temperature being outside of the safe charging range, or the full charge timer expiring, charging stops, and the NFLT pin is pulled low. When the fault condition is no longer present, the device will enter the INITIALIZE state (see Figure 2.2), but the NFLT pin will remain low until the STATUS register (00<sub>HEX</sub>) is read (see Table 2.2). When the STATUS register is read, the NFLT pin will go high until a new fault is detected.

### 2.2.2. Other Faults

When an open thermistor, thermal shut down, VIN under-voltage, or top-off time-out are detected, charging immediately stops and the corresponding bit in the STATUS register (00<sub>HEX</sub>) is set. The device enters the INITIALIZE state until the fault is no longer detected.

Figure 2.2 Charging State Diagram



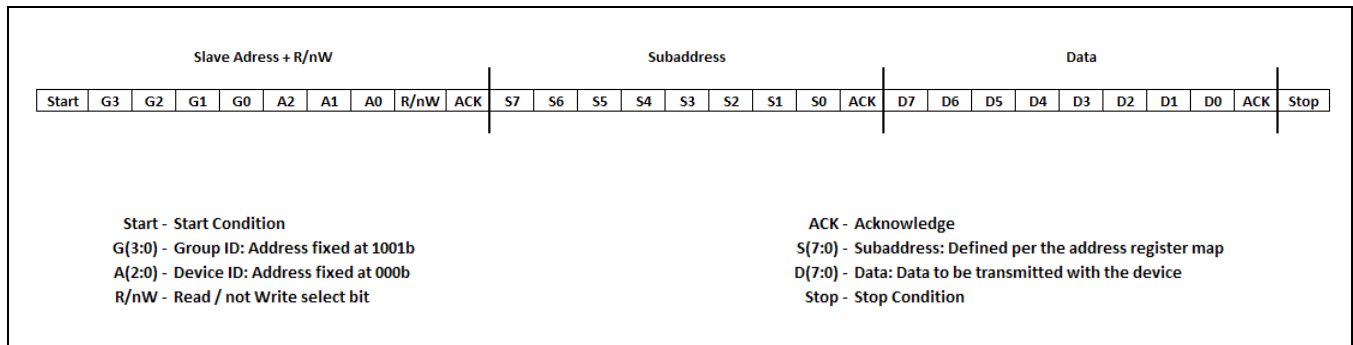
### 2.3. Serial Interface

The ZSPM4551 features an I<sup>2</sup>C™ slave interface that offers advanced control and diagnostic features. It supports standard and fast mode data rates and auto-sequencing, and it is compliant to I<sup>2</sup>C™ standard version 3.0.

I<sup>2</sup>C™ operation offers configuration control for termination voltages, charge currents, and charge timeouts. This configurability allows optimum charging conditions in a wide range of Li-Ion batteries. I<sup>2</sup>C™ operation also offers fault and warning indicators. Whenever a fault is detected, the associated status bit in the STATUS register is set and the NFLT pin is pulled low. Whenever a warning is detected, the associated status bit in the STATUS register is set, but the NFLT pin is not pulled low. Reading the STATUS register resets the fault and warning status bits, and the NFLT pin is released after all fault status bits have been reset.

#### 2.3.1. I<sup>2</sup>C™ Subaddress Definition

**Figure 2.3 Subaddress in I<sup>2</sup>C™ Transmission**



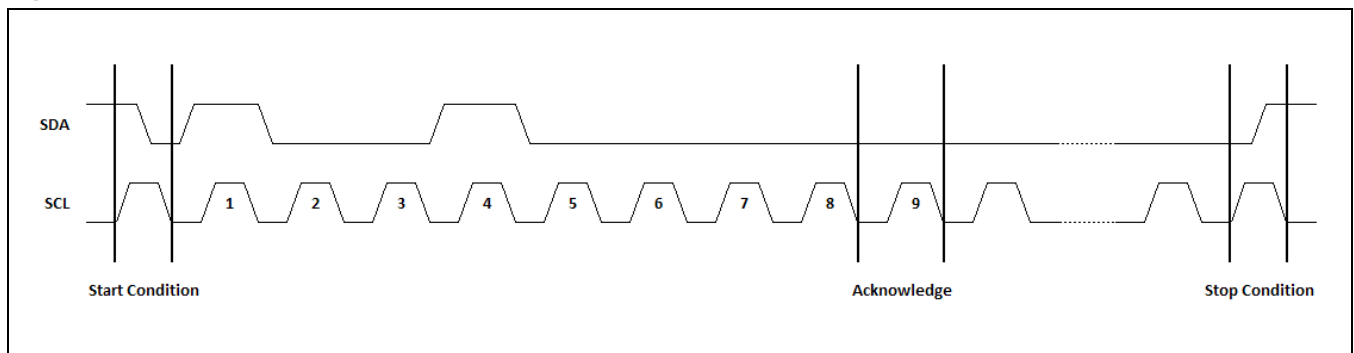
#### 2.3.2. I<sup>2</sup>C™ Bus Operation

The ZSPM4551's I<sup>2</sup>C™ is a two-wire serial interface; the two lines are serial clock (SCL) and serial data (SDA) (see Figure 2.4). SDA must be connected to a positive supply (e.g., the VDD pin) through an external pull-up resistor. The devices communicating on this bus can drive the SDA line low or release it to high impedance. To ensure proper operation, setup and hold times must be met (see Table 1.5). The device that initiates the I<sup>2</sup>C™ transaction becomes the master of the bus.

Communication is initiated by the master sending a START condition, which is a high-to-low transition on SDA while the SCL line is high. After the START condition, the device address byte is sent, most significant bit (MSB) first, including the data direction bit (read = 1; write = 0). After receiving the valid address byte, the device responds with an acknowledge (ACK). An ACK is a low on SDA during the high of the ACK-related clock pulse. On the I<sup>2</sup>C™ bus, during each clock pulse, only one data bit is transferred. The data on the SDA line must remain stable during the high pulse of the clock period, as changes in the data line at this time are interpreted as START or STOP control conditions. A low-to-high transition on SDA while the SCL input is high indicates a STOP condition and is sent by the master.

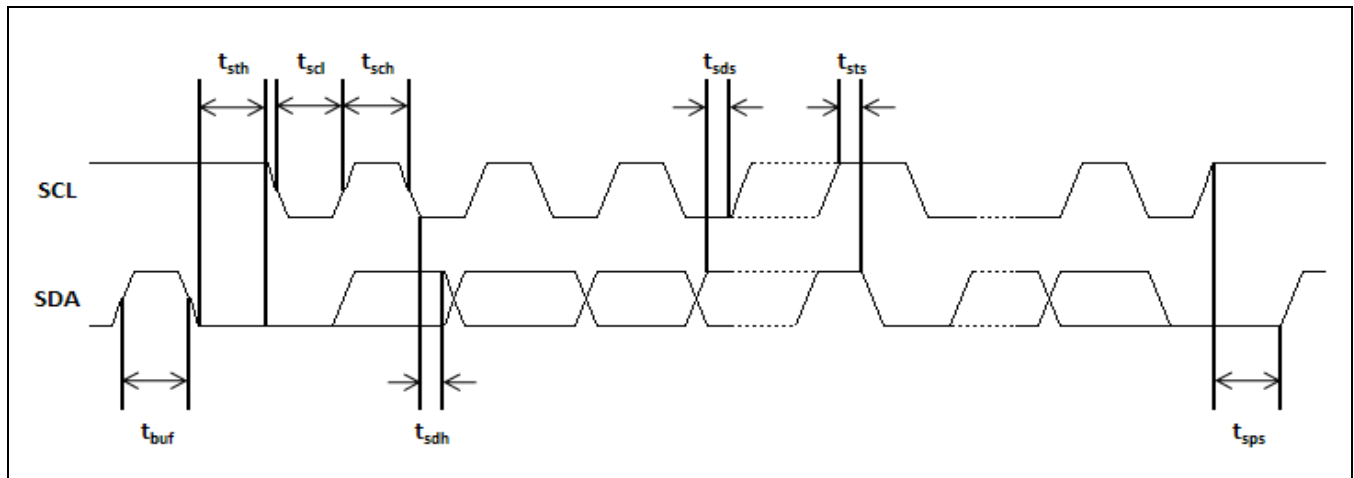
Any number of data bytes can be transferred from the transmitter to receiver between the START and the STOP conditions. Each byte of eight bits is followed by one ACK bit from the receiver. The SDA line must be released by the transmitter before the receiver can send an ACK bit. The receiver that acknowledges must pull down the SDA line during the ACK clock pulse, so that the SDA line is stable low during the high pulse of the ACK-related clock period. When a slave receiver is addressed, it must generate an ACK after each byte is received. Similarly, the master must generate an ACK after each byte that it receives from the slave transmitter. An end of data is signaled by the master receiver to the slave transmitter by not generating an acknowledge after the last byte has been clocked out of the slave. This is done by the master receiver by holding the SDA line high. The transmitter must then release the data line to enable the master to generate a STOP condition.

**Figure 2.4**  $I^2C^{\text{TM}}$  Start / Stop Protocol



See Table 1.5 for the definitions and specifications for the timing parameters labeled in Figure 2.5.

**Figure 2.5**  $I^2C^{\text{TM}}$  Data Transmission Timing





## 2.4. Status and Configuration Registers

**Table 2.1 Register Descriptions (Device Address = 48<sub>HEX</sub>)**

Register	Address	Name	Default	Description
0	00 <sub>HEX</sub>	STATUS	00 <sub>HEX</sub>	Status bit register
1	N/A	N/A	N/A	Register not implemented
2	02 <sub>HEX</sub>	CONFIG1 <sup>1)</sup>	EEPROM	Configuration register
3	03 <sub>HEX</sub>	CONFIG2 <sup>1)</sup>	EEPROM	Configuration register
4	04 <sub>HEX</sub>	CONFIG3 <sup>1)</sup>	EEPROM	Configuration register
5	05 <sub>HEX</sub>	CONFIG4 <sup>1)</sup>	EEPROM	Configuration register
6	06 <sub>HEX</sub>	CONFIG5 <sup>1)</sup>	EEPROM	Configuration register
7-16	N/A	N/A	N/A	Registers not implemented
17	11 <sub>HEX</sub>	CONFIG_ENABLE	00 <sub>HEX</sub>	Enable configuration register access
18	12 <sub>HEX</sub>	EEPROM_CTRL <sup>1)</sup>	00 <sub>HEX</sub>	EEPROM control register

<sup>1)</sup> CONFIG<sub>x</sub> and EEPROM\_CTRL registers are only accessible when the CONFIG\_ENABLE register is written with the EN\_CFG bit set to 1 (see Table 2.8).

**Table 2.2 STATUS Register—Address 00<sub>HEX</sub>**

Note: All of the STATUS register bits are READ-only.

DATA BIT	D7	D6	D5	D4	D3	D2	D1	D0
FIELD NAME	BATT_OV	1C_TO	TEMP_0C	TEMP_60C	TSD	TOP_TO	VIN_UV	TH_OPEN
FIELD NAME	BIT DEFINITION <sup>1)</sup>							
BATT_OV	VBAT over-voltage.							
1C_TO	Full charge timer has timed out.							
TEMP_0C	Thermistor indicates battery temperature < 0°C.							
TEMP_60C	Thermistor indicates battery temperature > 60°C.							
TSD	Thermal shutdown.							
TOP_TO	Top-off timer has timed out.							
VIN_UV	VIN under-voltage.							
TH_OPEN	Thermistor open (battery not present).							

<sup>1)</sup> Faults are defined as BATT\_OV, 1C\_TO, TEMP\_0C, and TEMP\_60C. Warnings are defined as TSD, TOP\_TO, VIN\_UV, and TH\_OPEN. Faults cause the NFLT pin to be pulled low. Warnings do not cause the NFLT pin to be pulled low. All status bits are cleared after STATUS register read access. The NFLT pin will go to high impedance (open-drain output) after the STATUS register has been read and all status bits have been reset.

**Table 2.3 Configuration Register CONFIG1—Address 02<sub>HEX</sub>**

Note: All of the CONFIG1 register bits are READ/WRITE.

DATA BIT	D7	D6	D5	D4	D3	D2	D1	D0
<b>FIELD NAME</b>	PRE_CHRG[1:0]		V_TERM_0_10[2:0]			V_TERM_10_45[2:0]		
<b>FIELD NAME</b>	<b>BIT DEFINITION</b>							
PRE_CHRG[1:0] <sup>1)</sup>	Pre-charging configuration			00 <sub>BIN</sub> – 50 mA 01 <sub>BIN</sub> – 100 mA 10 <sub>BIN</sub> – 185 mA 11 <sub>BIN</sub> – 370 mA				
V_TERM_0_10[2:0] <sup>2)</sup>	Voltage termination: 0-10°C configuration			000 <sub>BIN</sub> – 3.94 V		100 <sub>BIN</sub> – 4.12 V		
V_TERM_10_45[2:0] <sup>2)</sup>	Voltage termination: 10-45°C configuration			001 <sub>BIN</sub> – 4.00 V		101 <sub>BIN</sub> – 4.15 V		
				010 <sub>BIN</sub> – 4.05 V		110 <sub>BIN</sub> – 4.18 V		
				011 <sub>BIN</sub> – 4.10 V		111 <sub>BIN</sub> – Invalid setting		
1) PRE_CHRG Note: Maximum output current when $V_{out} < 3.0$ V. 2) V_TERM Note: There are separate settings for battery temperatures 0-10°C, 10-45°C, 45-50°C, and 50-60°C (see Table 2.4 for 45-50°C and 50-60°C). For <0°C and >60°C, charging is disabled and a fault is set.								

**Table 2.4 Configuration Register CONFIG2—Address 03<sub>HEX</sub>**

Note: All of the CONFIG2 register bits are READ/WRITE.

DATA BIT	D7	D6	D5	D4	D3	D2	D1	D0
<b>FIELD NAME</b>	EOC[1:0]		V_TERM_45_50[2:0]			V_TERM_50_60[2:0]		
<b>FIELD NAME</b>	<b>BIT DEFINITION</b>							
EOC[1:0] <sup>1)</sup>	End of charge configuration			00 <sub>BIN</sub> – 50 mA 01 <sub>BIN</sub> – 100 mA 10 <sub>BIN</sub> – 185 mA 11 <sub>BIN</sub> – 370 mA				
V_TERM_45_50[2:0] <sup>2)</sup>	Voltage termination: 45-50°C configuration			000 <sub>BIN</sub> – 3.94 V		100 <sub>BIN</sub> – 4.12 V		
V_TERM_50_60[2:0] <sup>2)</sup>	Voltage termination: 50-60°C configuration			001 <sub>BIN</sub> – 4.00 V		101 <sub>BIN</sub> – 4.15 V		
				010 <sub>BIN</sub> – 4.05 V		110 <sub>BIN</sub> – 4.18 V		
				011 <sub>BIN</sub> – 4.10 V		111 <sub>BIN</sub> – Invalid setting		
1) EOC Note: Maximum output current when $V_{out} < 3.0$ V. 2) V_TERM Note: There are separate settings for battery temperatures 0-10°C, 10-45°C, 45-50°C, and 50-60°C (see Table 2.3 for 0-10°C and 10-45°C). For <0°C and >60°C, charging is disabled and a fault is set.								

**Table 2.5 Configuration Register CONFIG3—Address 04<sub>HEX</sub>**

Note: All of the CONFIG3 register bits are READ/WRITE.

DATA BIT	D7	D6	D5	D4	D3	D2	D1	D0
<b>FIELD NAME</b>	MAX_CHRG_CURR_0_10[3:0]				MAX_CHRG_CURR_10_45[3:0]			
<b>FIELD NAME</b>	<b>BIT DEFINITION</b>							
MAX_CHRG_CURR_0_10[3:0] <sup>1)</sup>	Maximum charge current: 0-10°C configuration				0000 <sub>BIN</sub> – 50 mA	1000 <sub>BIN</sub> – 800 mA		
					0001 <sub>BIN</sub> – 100 mA	1001 <sub>BIN</sub> – 900 mA		
					0010 <sub>BIN</sub> – 200 mA	1010 <sub>BIN</sub> – 1000 mA		
					0011 <sub>BIN</sub> – 300 mA	1011 <sub>BIN</sub> – 1100 mA		
MAX_CHRG_CURR_10_45[3:0] <sup>1)</sup>	Maximum charge current; 10-45°C configuration				0100 <sub>BIN</sub> – 400 mA	1100 <sub>BIN</sub> – 1200 mA		
					0101 <sub>BIN</sub> – 500 mA	1101 <sub>BIN</sub> – 1300 mA		
					0110 <sub>BIN</sub> – 600 mA	1110 <sub>BIN</sub> – 1400 mA		
					0111 <sub>BIN</sub> – 700 mA	1111 <sub>BIN</sub> – 1500 mA		
1) MAX_CHRG_CURR Note: There are separate settings for battery temperatures 0-10°C, 10-45°C, 45-50°C, and 50-60°C (see Table 2.6 for 45-50°C and 50-60°C). For <0°C and >60°C, charging is disabled and a fault is set.								

**Table 2.6 Configuration Register CONFIG4—Address 05<sub>HEX</sub>**

Note: All of the CONFIG4 register bits are READ/WRITE.

DATA BIT	D7	D6	D5	D4	D3	D2	D1	D0
<b>FIELD NAME</b>	MAX_CHRG_CURR_45_50[3:0]				MAX_CHRG_CURR_50_60[3:0]			
<b>FIELD NAME</b>	<b>BIT DEFINITION</b>							
MAX_CHRG_CURR_45_50[3:0] <sup>1)</sup>	Maximum charge current: 45-50°C configuration				0000 <sub>BIN</sub> – 50 mA	1000 <sub>BIN</sub> – 800 mA		
					0001 <sub>BIN</sub> – 100 mA	1001 <sub>BIN</sub> – 900 mA		
					0010 <sub>BIN</sub> – 200 mA	1010 <sub>BIN</sub> – 1000 mA		
					0011 <sub>BIN</sub> – 300 mA	1011 <sub>BIN</sub> – 1100 mA		
MAX_CHRG_CURR_50_60[3:0] <sup>1)</sup>	Maximum charge current: 50-60°C configuration				0100 <sub>BIN</sub> – 400 mA	1100 <sub>BIN</sub> – 1200 mA		
					0101 <sub>BIN</sub> – 500 mA	1101 <sub>BIN</sub> – 1300 mA		
					0110 <sub>BIN</sub> – 600 mA	1110 <sub>BIN</sub> – 1400 mA		
					0111 <sub>BIN</sub> – 700 mA	1111 <sub>BIN</sub> – 1500 mA		
1) MAX_CHRG_CURR Note: There are separate settings for battery temperatures 0-10°C, 10-45°C, 45-50°C, and 50-60°C (see Table 2.5 for 0-10°C and 10-45°C). For <0°C and >60°C, charging is disabled and a fault is set.								

**Table 2.7 Configuration Register CONFIG5—Address 06<sub>HEX</sub>**

Note: All of the CONFIG5 register bits are READ/WRITE.

DATA BIT	D7	D6	D5	D4	D3	D2	D1	D0
<b>FIELD NAME</b>	TOP_END	TH	TOP_TO[2:0]			1C_TO[2:0]		
<b>FIELD NAME</b>	<b>BIT DEFINITION</b>							
TOP_END <sup>1)</sup>	Top-off end configuration 0 <sub>BIN</sub> – 25 mA 1 <sub>BIN</sub> – 92 mA							
TH <sup>2)</sup>	Thermistor configuration 0 <sub>BIN</sub> – 10kΩ 1 <sub>BIN</sub> – 100kΩ							
TOP_TO[2:0] <sup>3)</sup>	Top off timer time out configuration 000 <sub>BIN</sub> – 0 minutes 001 <sub>BIN</sub> – 20 minutes 010 <sub>BIN</sub> – 40 minutes 011 <sub>BIN</sub> – 60 minutes 100 <sub>BIN</sub> – 80 minutes 101 <sub>BIN</sub> – 100 minutes 110 <sub>BIN</sub> – 120 minutes 111 <sub>BIN</sub> – Disable time out timer							
1C_TO[2:0] <sup>4)</sup>	Full charge timer time out configuration 000 <sub>BIN</sub> – Disable full charge timer 001 <sub>BIN</sub> – 200 minutes 010 <sub>BIN</sub> – 400 minutes 011 <sub>BIN</sub> – 600 minutes 100 <sub>BIN</sub> – 800 minutes 101 <sub>BIN</sub> – 1000 minutes 110 <sub>BIN</sub> – 1200 minutes 111 <sub>BIN</sub> – 1400 minutes							
1) TOP_END Note: Charging stops when $V_{VBAT} = V_{TERMINATION}$ and $I_{BAT} < TOP\_END$ 2) TH Note: Setting for nominal thermistor and reference resistor value. 3) TOP_TO Note: Timer starts when $VBAT = V_{TERMINATION}$ and $I_{BAT} < EOC$ . 4) 1C_TO Note: Timer starts when $VBAT > 3.0V$ .								

**Table 2.8 Enable Configuration Register CONFIG\_ENABLE—Address 11<sub>HEX</sub>**

Note: The reset value for all of the CONFIG\_ENABLE register bits is 0.

DATA BIT	D7	D6	D5	D4	D3	D2	D1	D0
FIELD NAME	Not used	Not used	Not used	Not used	Not used	Not used	Not used	EN_CFG
READ/WRITE	R	R	R	R	R	R	R	R/W
FIELD NAME		BIT DEFINITION						
EN_CFG		Enable-access control bit for configuration registers CONFIG1 through CONFIG5 (addresses 02 <sub>HEX</sub> to 06 <sub>HEX</sub> ) 0 <sub>BIN</sub> – Disable access 1 <sub>BIN</sub> – Enable access						

**Table 2.9 EEPROM Control Register EEPROM\_CTRL—Address 12<sub>HEX</sub>**

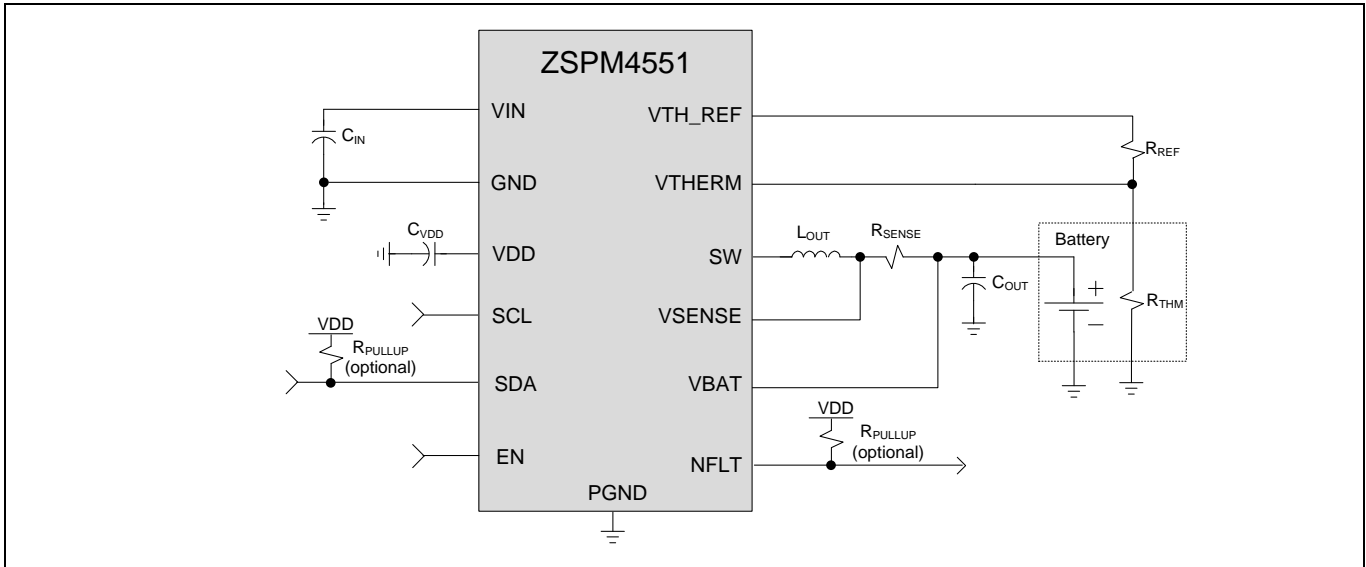
Note: The reset value for all of the EEPROM\_CTRL register bits is 0.

DATA BIT	D7	D6	D5	D4	D3	D2	D1	D0
FIELD NAME	Not used	Not used	Not used	Not used	Not used	Not used	Not used	EE_PROG
READ/WRITE	R	R	R	R	R	R	R	R/W
FIELD NAME		BIT DEFINITION						
EE_PROG <sup>1)</sup>		EEPROM program control bit for configuration registers CONFIG1 through CONFIG5 (addresses 02 <sub>HEX</sub> to 06 <sub>HEX</sub> ) 0 <sub>BIN</sub> – Disable EEPROM programming 1 <sub>BIN</sub> – Enable EEPROM programming with data from configuration registers CONFIG1 through CONFIG5 (addresses 02 <sub>HEX</sub> to 06 <sub>HEX</sub> )						
1) EE_PROG Note: Inputs VIN and EN must be present for 200ms.								

### 3 Application Circuits

#### 3.1. Typical Application Circuit

Figure 3.1 Typical Application Circuit for Charging a Lithium-Ion Battery



#### 3.2. Selection of External Components

Note that the internal compensation is optimized for a  $4.7\mu\text{F}$  output capacitor ( $C_{OUT}$ ) and a  $4.7\mu\text{H}$  output inductor ( $L_{OUT}$ ). Table 1.3 provides recommended ranges for most of the following components.

##### 3.2.1. $C_{OUT}$ Output Capacitor

To keep the output ripple low, a low ESR (less than  $35\text{m}\Omega$ ) ceramic capacitor is recommended for the  $4.7\mu\text{F}$  output filter capacitor. The ESR should not exceed  $100\text{m}\Omega$ .

##### 3.2.2. $L_{OUT}$ Output Inductor

For best performance, an inductor with a saturation current rating higher than the maximum  $V_{OUT}$  load requirement plus the inductor current ripple should be used for the  $4.7\mu\text{H}$  output filter inductor.

##### 3.2.3. $C_{IN}$ Bypass Capacitor

For best performance, a low ESR ceramic capacitor should be used for the  $10\mu\text{F}$  input supply bypass capacitor. If it is not a low ESR ceramic capacitor, a  $0.1\mu\text{F}$  ceramic capacitor should be added in parallel to  $C_{IN}$ .

##### 3.2.4. $C_{VDD}$ Bypass Capacitor for VDD Internal Reference Voltage Output

For best performance, a low ESR ceramic capacitor should be used for the  $100\text{nF}$  bypass capacitor from the VDD pin to ground.

3.2.5. **R<sub>SENSE</sub> Output Sensing Resistor**

The typical value for the output sensing resistor is 50mΩ.

3.2.6. **Pull-up Resistors**

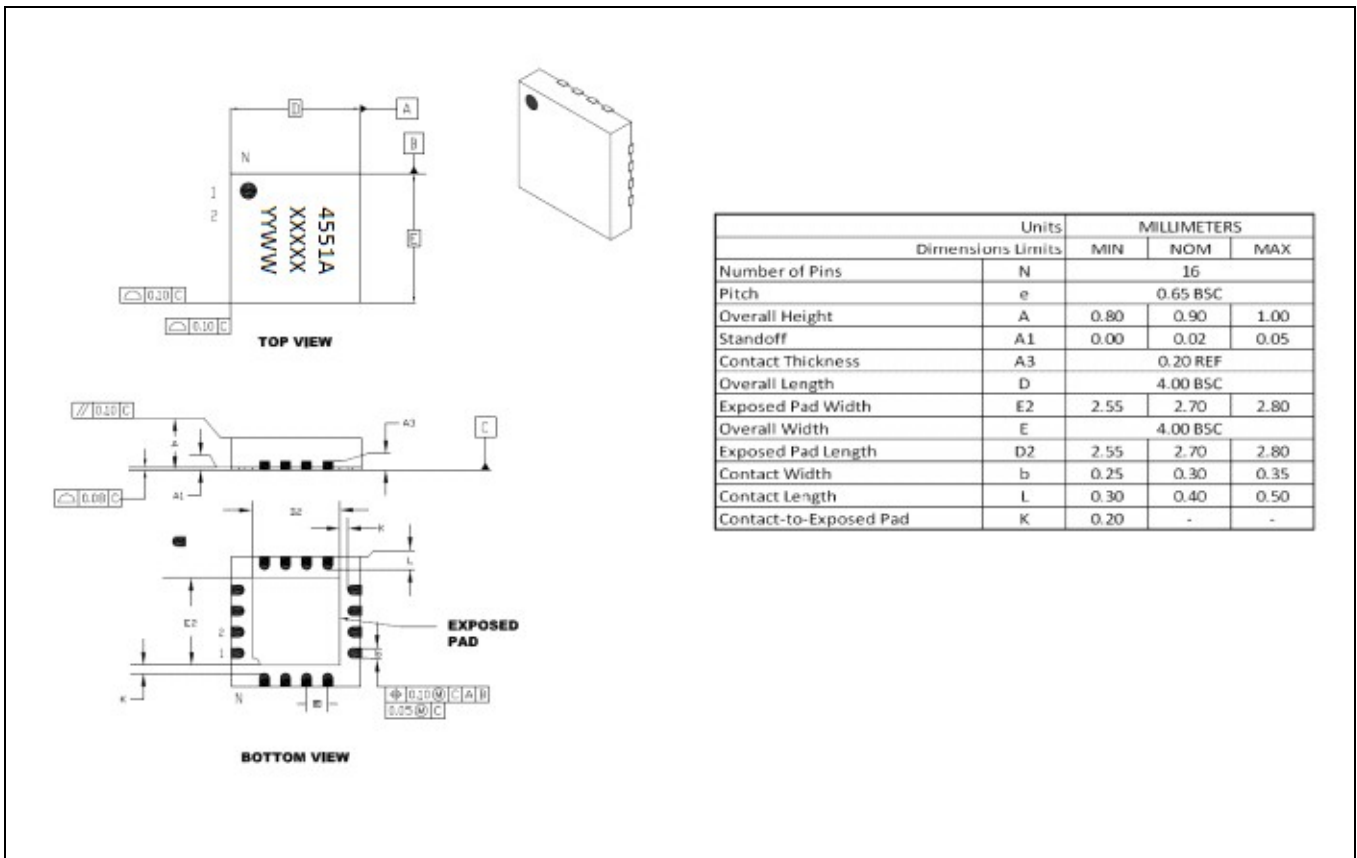
For proper function of the I<sup>2</sup>C™ interface, the SDA pin must be connected to a positive supply (e.g., the VDD pin) through an external pull-up resistor.

For proper function of the fault warning signal on the NFLT pin, it must be connected to a positive supply (VDD) through an external pull-up resistor.

**4 Pin Configuration and Package**

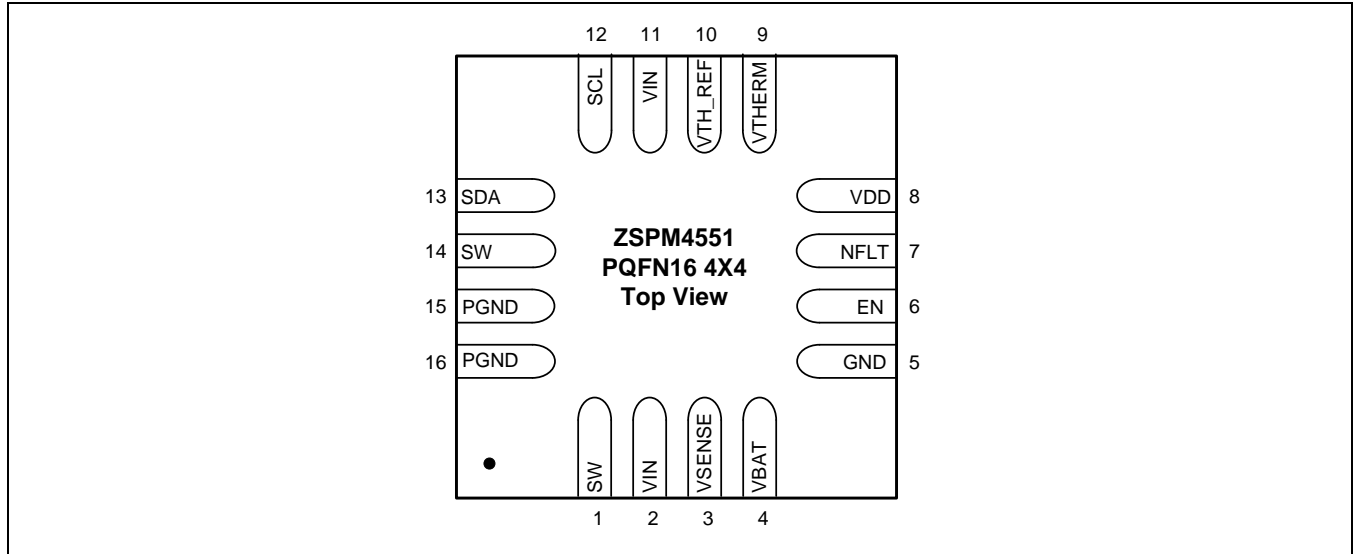
4.1. **ZSPM4551 Package Dimensions**

Figure 4.1 PQFN-16 Package Dimensions



## 4.2. Pin-Out Assignments

Figure 4.2 ZSPM4551 Pin Assignments



## 4.3. Pin Description for 16-Pin PQFN (4 x 4 mm)

Table 4.1 Pin Description

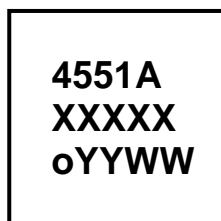
Pin #	Name	Function	Description
1	SW	Switching Voltage Node	Connect to 4.7μH (typical) inductor L <sub>OUT</sub> . Also connect to additional SW pin 14.
2	VIN	Input Voltage	Input voltage. Also connect to C <sub>IN</sub> . Also connect to additional VIN pin 11.
3	VSENSE	Current Sense Positive Input	Positive input for the current loop.
4	VBAT	Output Voltage	Regulator feedback input.
5	GND	GND	Primary ground for the majority of the device except the low-side power FET.
6	EN	Enable Input	When EN is high ( $\geq 2.2V$ ), the device is enabled. Ground the pin to disable the device. Includes internal pull-up.
7	NFLT	Inverted Fault	Open-drain output.
8	VDD	Internal 3.3V Supply Output	Connect to a 100nF capacitor to GND.
9	VITHERM	Battery Temperature Sensor Minus Node	Negative node for the thermistor, which must be located in close proximity to the battery.



Pin #	Name	Function	Description
10	VTH_REF	Battery Temperature Sensor Positive Node	Positive node for the thermistor, which must be located in close proximity to the battery.
11	VIN	Input Voltage	Additional VIN pin for input voltage; connect to VIN pin 2.
12	SCL	Clock Input	I <sup>2</sup> C™ clock input.
13	SDA	Data Input/Output	I <sup>2</sup> C™ data (open-drain output).
14	SW	Switching Voltage Node	Additional SW pin; connect to SW pin 1.
15	PGND	Power GND	GND supply for internal low-side FET/integrated diode. Also connect to additional PGND pin 16.
16	PGND	Power GND	GND supply for internal low-side FET/integrated diode. Also connect to additional PGND pin 15.

#### 4.4. Package Markings

Figure 4.3 Marking Diagram 16-Pin PQFN (4 x 4 mm)



XXXXX: Lot Number (last five digits)  
 O: Pin 1 mark  
 YY: Year  
 WW: Work Week

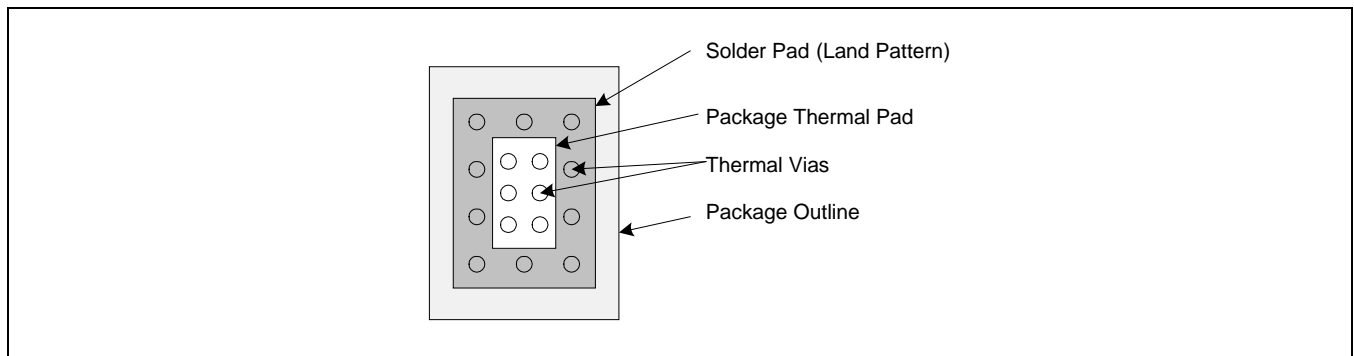
## 5 Layout Recommendations

To maximize the efficiency of this package for application on a single layer or multi-layer PCB, certain guidelines must be followed when laying out this part on the PCB.

### 5.1 Multi-Layer PCB Layout

The following are guidelines for mounting the exposed pad ZSPM4551 on a multi-layer PCB with ground a plane. In a multi-layer board application, the thermal vias are the primary method of heat transfer from the package thermal pad to the internal ground plane. The efficiency of this method depends on several factors, including die area, number of thermal vias, and thickness of copper, etc.

**Figure 5.1 Package and PCB Land Configuration for Multi-Layer PCB**



**Figure 5.2 JEDEC Standard FR4 Multi-Layer Board – Cross-Sectional View**

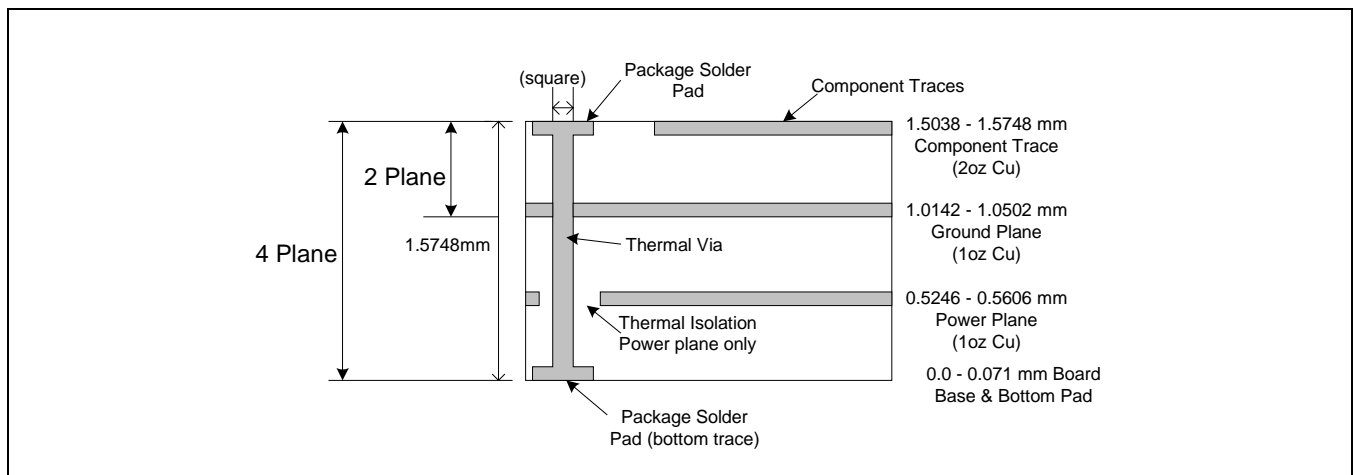
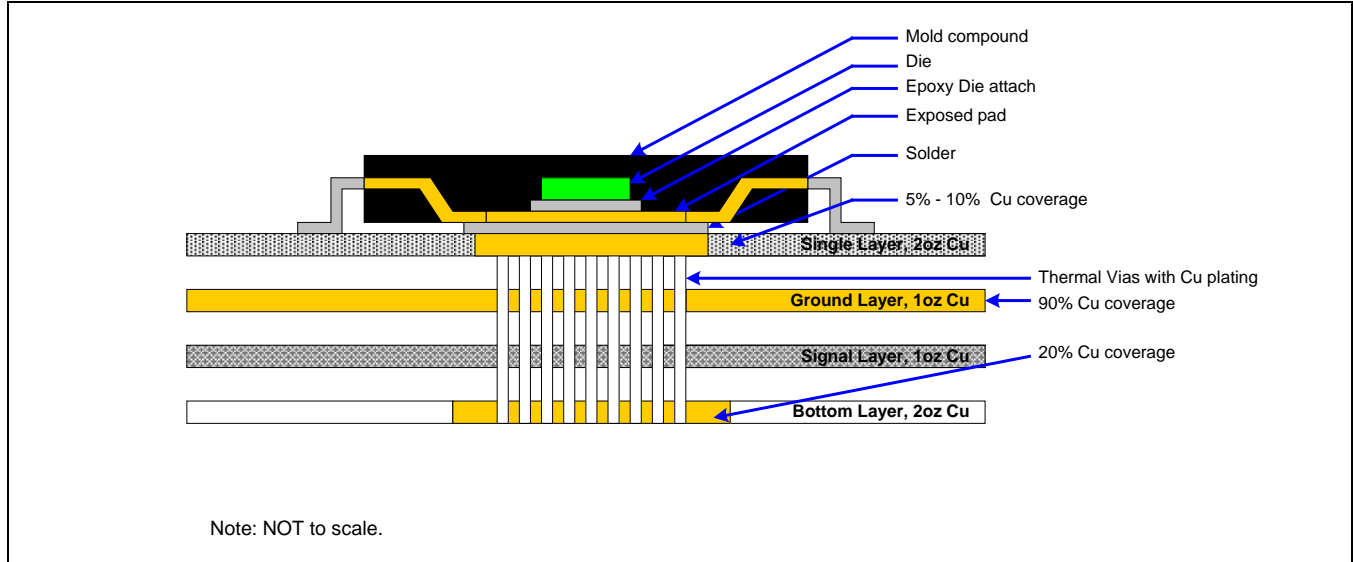


Figure 5.3 is a representation of how the heat can be conducted away from the die using an exposed pad package. Each application will have different requirements and limitations, and therefore the user should use sufficient copper to dissipate the power in the system. The output current rating for the linear regulators might need to be de-rated for ambient temperatures above 85°C. The de-rated value will depend on calculated worst case power dissipation and the thermal management implementation in the application.

**Figure 5.3 Conducting Heat Away from the Die using an Exposed Pad Package**

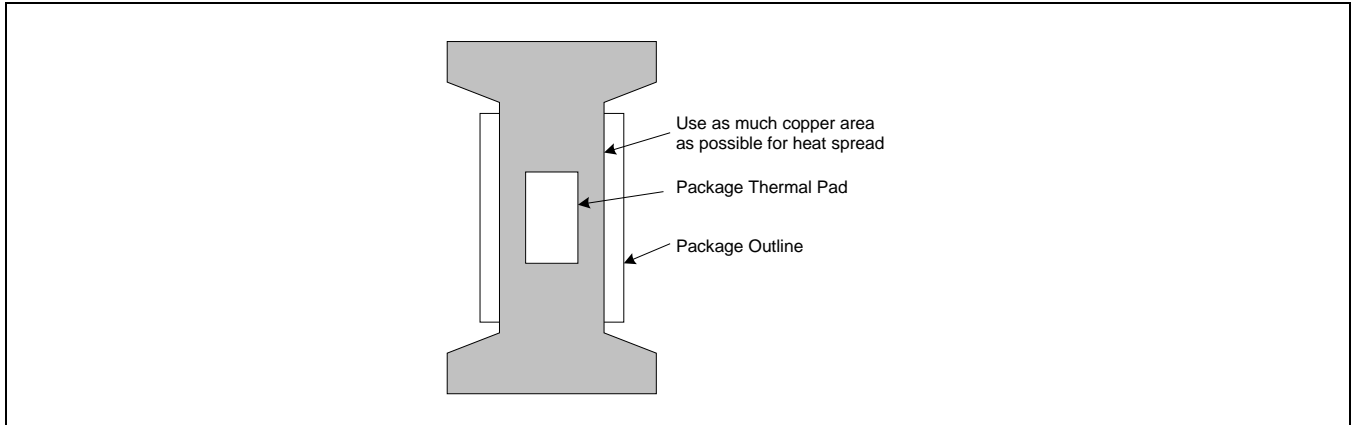


## 5.2. Single-Layer PCB Layout

Layout recommendations for a single-layer PCB: Utilize as much copper area for power management as possible. In a single-layer board application, the thermal pad is attached to a heat spreader (copper areas) by using a low thermal impedance attachment method (solder paste or thermal conductive epoxy).

In both of the methods mentioned above, it is advisable to use as much copper trace as possible to dissipate the heat.

**Figure 5.4 Application Using a Single-Layer PCB**



**Important:** If the attachment method is NOT implemented correctly, the functionality of the product is NOT guaranteed. Power dissipation capability will be adversely affected if the device is incorrectly mounted onto the circuit board.

## 6 Ordering Information

Ordering Code	Description	Package
ZSPM4551AA1W	ZSPM4551 High-Efficiency Charger for Li-Ion Batteries	16-pin PQFN / 7" Reel (1000 parts)
ZSPM4551AA1R	ZSPM4551 High-Efficiency Charger for Li-Ion Batteries	16-pin PQFN / 13" Reel (3300 parts)
ZSPM4551KIT	ZSPM4551 Evaluation Kit	

## 7 Related Documents

Document
<i>ZSPM4551 Feature Sheet</i>
<i>ZSPM4551 Evaluation Kit Description</i>
<i>ZSPM4551 Application Note – Li-Ion Battery Charging Applications</i>

Visit IDT's website [www.IDT.com](http://www.IDT.com) or contact your nearest sales office for the latest version of these documents.

## 8 Document Revision History

Revision	Date	Description
1.00	December 4, 2012	First release.
1.01	October 3, 2014	Revision of specification for VTH_REF output voltage in Table 1.4. Updates for contact information and imagery on cover and headers.
	January 29, 2016	Changed to IDT branding.

## IMPORTANT NOTICE AND DISCLAIMER

RENESAS ELECTRONICS CORPORATION AND ITS SUBSIDIARIES (“RENESAS”) PROVIDES TECHNICAL SPECIFICATIONS AND RELIABILITY DATA (INCLUDING DATASHEETS), DESIGN RESOURCES (INCLUDING REFERENCE DESIGNS), APPLICATION OR OTHER DESIGN ADVICE, WEB TOOLS, SAFETY INFORMATION, AND OTHER RESOURCES “AS IS” AND WITH ALL FAULTS, AND DISCLAIMS ALL WARRANTIES, EXPRESS OR IMPLIED, INCLUDING, WITHOUT LIMITATION, ANY IMPLIED WARRANTIES OF MERCHANTABILITY, FITNESS FOR A PARTICULAR PURPOSE, OR NON-INFRINGEMENT OF THIRD PARTY INTELLECTUAL PROPERTY RIGHTS.

These resources are intended for developers skilled in the art designing with Renesas products. You are solely responsible for (1) selecting the appropriate products for your application, (2) designing, validating, and testing your application, and (3) ensuring your application meets applicable standards, and any other safety, security, or other requirements. These resources are subject to change without notice. Renesas grants you permission to use these resources only for development of an application that uses Renesas products. Other reproduction or use of these resources is strictly prohibited. No license is granted to any other Renesas intellectual property or to any third party intellectual property. Renesas disclaims responsibility for, and you will fully indemnify Renesas and its representatives against, any claims, damages, costs, losses, or liabilities arising out of your use of these resources. Renesas' products are provided only subject to Renesas' Terms and Conditions of Sale or other applicable terms agreed to in writing. No use of any Renesas resources expands or otherwise alters any applicable warranties or warranty disclaimers for these products.

(Rev.1.0 Mar 2020)

### Corporate Headquarters

TOYOSU FORESIA, 3-2-24 Toyosu,  
Koto-ku, Tokyo 135-0061, Japan  
[www.renesas.com](http://www.renesas.com)

### Contact Information

For further information on a product, technology, the most up-to-date version of a document, or your nearest sales office, please visit:  
[www.renesas.com/contact/](http://www.renesas.com/contact/)

### Trademarks

Renesas and the Renesas logo are trademarks of Renesas Electronics Corporation. All trademarks and registered trademarks are the property of their respective owners.