

KAD5514P

14-Bit, 250/210/170/125MSPS ADC

The KAD5514P ([KAD5514P-12](#), [KAD5514P-17](#), [KAD5514P-21](#), [KAD5514P-25](#)) is a family of low-power, high performance 14-bit, analog-to-digital converters. The family is designed with the proprietary FemtoCharge™ technology on a standard CMOS process, and supports sampling rates of up to 250MSPS. The KAD5514P is part of a pin-compatible portfolio of 10, 12, and 14-bit ADCs with sample rates ranging from 125MSPS to 500MSPS.

A Serial Peripheral Interface (SPI) port allows for extensive configurability and fine control of various parameters such as gain and offset.

Digital output data is presented in selectable LVDS or CMOS formats. The KAD5514P is available in 72 Ld and 48 Ld QFN packages with an exposed paddle. The devices operate from a 1.8V supply, and performance is specified across the full industrial temperature range (-40°C to +85°C).

Applications

- Power amplifier linearization
- Radar and satellite antenna array processing
- Broadband communications
- High-performance data acquisition
- Communications test equipment
- WiMAX and microwave receivers

Features

- Programmable gain, offset, and skew control
- 950MHz analog input bandwidth
- 60fs clock jitter
- Over-range indicator
- Selectable clock divider: +1, +2, or +4
- Clock phase selection
- Nap and sleep modes
- Two's complement, gray code or binary data format
- DDR LVDS-compatible or LVCMOS outputs
- Programmable built-in test patterns
- Single-supply 1.8V operation
- Pb-free (RoHS compliant)

Key Specifications

- SNR = 69.4dBFS for $f_{IN} = 105\text{MHz}$ (-1dBFS)
- SFDR = 82.2dBc for $f_{IN} = 105\text{MHz}$ (-1dBFS)
- Total power consumption
 - 429/345mW at 250/125MSPS (SDR Mode)
 - 390/309mW at 250/125MSPS (DDR Mode)

Related Literature

For a full list of related documents, visit our website:

- [KAD5514P-12](#), [KAD5514P-17](#), [KAD5514P-21](#), [KAD5514P-25](#) device pages

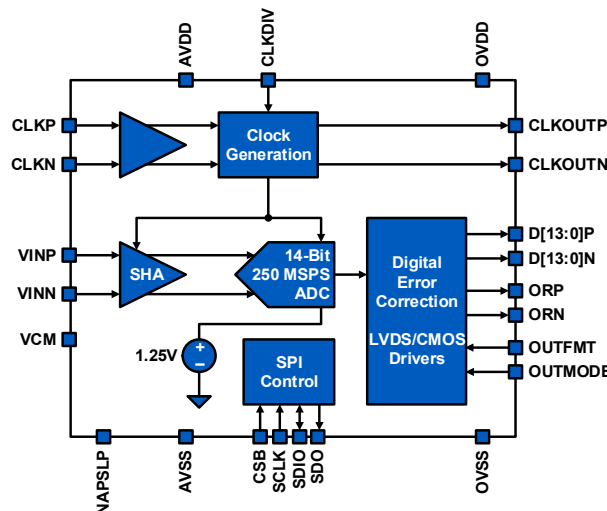


Figure 1. Block Diagram

Contents

| | |
|--|-----------|
| 1. Overview | 4 |
| 1.1 Ordering Information | 4 |
| 1.2 Pin Configurations | 5 |
| 1.3 Pin Descriptions | 6 |
| 2. Specifications | 10 |
| 2.1 Absolute Maximum Ratings | 10 |
| 2.2 Thermal Information | 10 |
| 2.3 Electrical Specifications | 11 |
| 2.4 Digital Specifications | 13 |
| 2.5 Timing Diagrams | 14 |
| 2.6 Switching Specifications | 14 |
| 3. Typical Performance Curves | 16 |
| 4. Theory of Operation | 19 |
| 4.1 Functional Description | 19 |
| 4.2 Power-On Calibration | 19 |
| 4.3 User-Initiated Reset | 20 |
| 4.4 Analog Input | 21 |
| 4.5 Clock Input | 22 |
| 4.6 Jitter | 23 |
| 4.7 Voltage Reference | 23 |
| 4.8 Digital Outputs | 23 |
| 4.9 Over-Range Indicator | 24 |
| 4.10 Power Dissipation | 24 |
| 4.11 Nap/Sleep | 24 |
| 4.12 Data Format | 25 |
| 5. Serial Peripheral Interface | 27 |
| 5.1 SPI Physical Interface | 27 |
| 5.2 SPI Configuration | 29 |
| 5.3 Device Information | 29 |
| 5.4 Indexed Device Configuration/Control | 30 |
| 5.5 Global Device Configuration/Control | 31 |
| 5.6 Device Test | 33 |
| 5.7 SPI Memory Map | 34 |
| 6. Equivalent Circuits | 36 |
| 7. Layout Considerations | 38 |
| 7.1 Split Ground and Power Planes | 38 |
| 7.2 Clock Input Considerations | 38 |
| 7.3 Exposed Paddle | 38 |
| 7.4 Bypass and Filtering | 38 |
| 7.5 LVDS Outputs | 38 |
| 7.6 LVCMOS Outputs | 38 |
| 7.7 Unused Inputs | 38 |
| 7.8 72 Ld/48 Ld Package Options | 38 |

| | | |
|------------|---------------------------------------|-----------|
| 8. | ADC Evaluation Platform | 39 |
| 9. | Definitions | 40 |
| 10. | Revision History | 41 |
| 11. | Package Outline Drawings | 42 |

1. Overview

1.1 Ordering Information

| Part Number (Note 3) | Part Marking | Speed (MSPS) | Temp. Range (°C) | Package (RoHS Compliant) | Pkg. Dwg. # |
|---|---------------------|-----------------|---------------------|-----------------------------|----------------|
| KAD5514P-25Q72 (Note 1) | KAD5514P-25 Q72EP-I | 250 | -40 to +85 | 72 Ld QFN | L72.10X10D |
| KAD5514P-21Q72 (Note 1) | KAD5514P-21 Q72EP-I | 210 | -40 to +85 | 72 Ld QFN | L72.10X10D |
| KAD5514P-17Q72 (Note 1) | KAD5514P-17 Q72EP-I | 170 | -40 to +85 | 72 Ld QFN | L72.10X10D |
| KAD5514P-12Q72 (Note 1) | KAD5512P-12 Q72EP-I | 125 | -40 to +85 | 72 Ld QFN | L72.10X10D |
| KAD5514P-25Q48 (Note 2) | KAD5512P-25 Q48EP-I | 250 | -40 to +85 | 48 Ld QFN | L48.7X7E |
| KAD5514P-21Q48 (Note 2) | KAD5514P-21 Q48EP-I | 210 | -40 to +85 | 48 Ld QFN | L48.7X7E |
| KAD5514P-17Q48 (Note 2) | KAD5514P-17 Q48EP-I | 170 | -40 to +85 | 48 Ld QFN | L48.7X7E |
| KAD5514P-12Q48 (Note 2) | KAD5514P-12 Q48EP-I | 125 | -40 to +85 | 48 Ld QFN | L48.7X7E |

Notes:

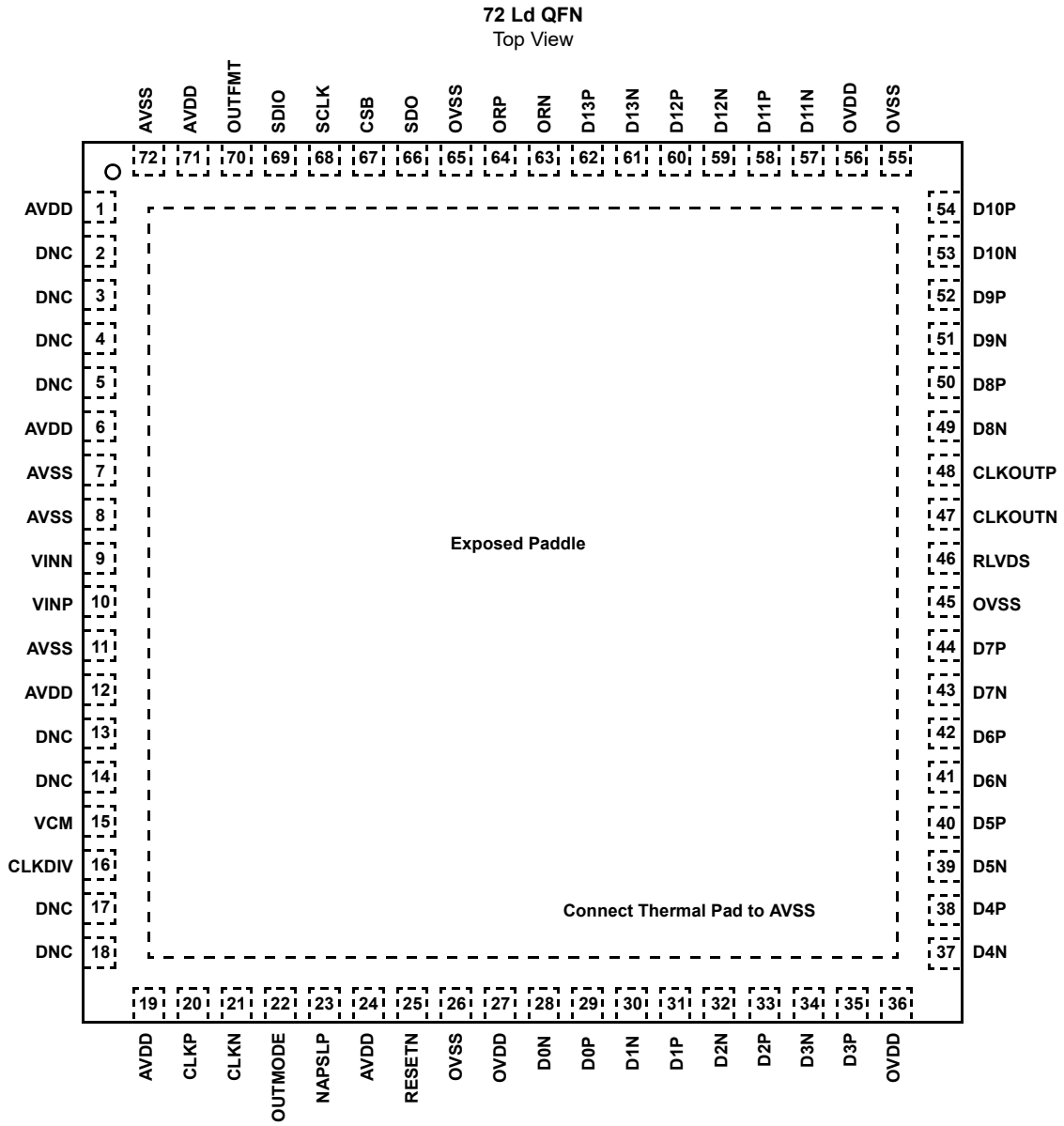
- These Pb-free plastic packaged products employ special Pb-free material sets; molding compounds/die attach materials and NiPdAu plate-e4 termination finish, which is RoHS compliant and compatible with both SnPb and Pb-free soldering operations. Pb-free products are MSL classified at Pb-free peak reflow temperatures that meet or exceed the Pb-free requirements of IPC/JEDEC J STD-020.
- These Pb-free plastic packaged products employ special Pb-free material sets, molding compounds/die attach materials, and 100% matte tin plate plus anneal (e3 termination finish, which is RoHS compliant and compatible with both SnPb and Pb-free soldering operations). Pb-free products are MSL classified at Pb-free peak reflow temperatures that meet or exceed the Pb-free requirements of IPC/JEDEC J STD-020.
- For Moisture Sensitivity Level (MSL), see the [KAD5514P-12](#), [KAD5514P-17](#), [KAD5514P-21](#), [KAD5514P-25](#) device pages. For more information about MSL, see [TB363](#).

Table 1. Pin-Compatible Family

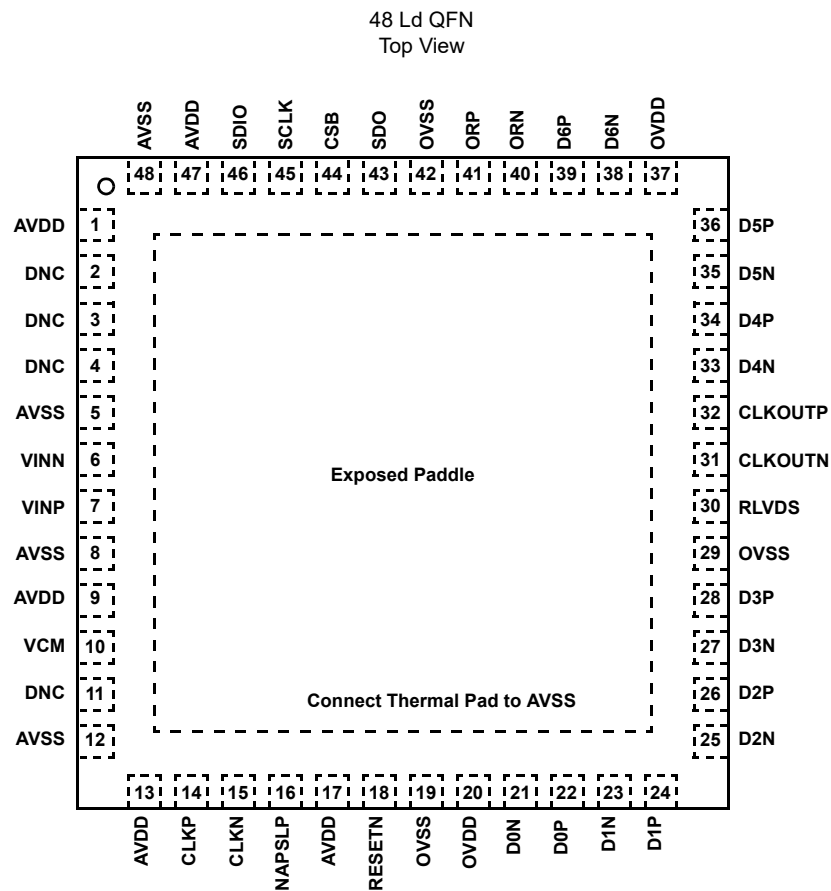
| Model | Resolution (Bits) | Speed (MSPS) |
|--------------------------|-------------------|--------------|
| KAD5514P-25 | 14 | 250 |
| KAD5514P-21 | 14 | 210 |
| KAD5514P-17 | 14 | 170 |
| KAD5514P-12 | 14 | 125 |
| KAD5512P-50 | 12 | 500 |
| KAD5512P-25, KAD5514P-25 | 12 | 250 |
| KAD5512P-21, KAD5514P-21 | 12 | 210 |
| KAD5512P-17, KAD5514P-17 | 12 | 170 |
| KAD5512P-12, KAD5514P-12 | 12 | 125 |
| KAD5510P-50 | 10 | 500 |

1.2 Pin Configurations

1.2.1 72 Ld QFN



1.2.2 48 Ld QFN



1.3 Pin Descriptions

1.3.1 72 QFN

| Pin Number | LVDS [LVCMOS] Name | LVDS [LVCMOS] Function SDR Mode | DDR Mode Comments |
|----------------------------|--------------------|---|-------------------|
| 1, 6, 12, 19, 24, 71 | AVDD | 1.8V Analog Supply | |
| 2, 3, 4, 5, 13, 14, 17, 18 | DNC | Do Not Connect | |
| 7, 8, 11, 72 | AVSS | Analog Ground | |
| 9 | VINN | Analog Input Negative | |
| 10 | VINP | Analog Input Positive | |
| 15 | VCM | Common-Mode Output | |
| 16 | CLKDIV | Tri-Level Clock Divider Control | |
| 20, 21 | CLKP, CLKN | Clock Input True, Complement | |
| 22 | OUTMODE | Tri-Level Output Mode (LVDS, LVCMOS) | |
| 23 | NAPSLP | Tri-Level Power Control (Nap, Sleep modes) | |
| 25 | RESETN | Power-On Reset (Active Low, see "User-Initiated Reset" on page 20) | |
| 26, 45, 55, 65 | OVSS | Output Ground | |
| 27, 36, 56 | OVDD | 1.8V Output Supply | |

| Pin Number | LVDS [LVCMOS] Name | LVDS [LVCMOS] Function SDR Mode | DDR Mode Comments |
|------------|---------------------|--|--|
| 28 | D0N [NC] | LVDS Bit 0 (LSB) Output Complement [NC in LVCMOS] | DDR Logical Bits 1, 0 (LVDS) |
| 29 | D0P [D0] | LVDS Bit 0 (LSB) Output True [LVCMOS Bit 0] | DDR Logical Bits 1, 0 (LVDS or CMOS) |
| 30 | D1N [NC] | LVDS Bit 1 Output Complement [NC in LVCMOS] | NC in DDR |
| 31 | D1P [D1] | LVDS Bit 1 Output True [LVCMOS Bit 1] | NC in DDR |
| 32 | D2N [NC] | LVDS Bit 2 Output Complement [NC in LVCMOS] | DDR Logical Bits 3, 2 (LVDS) |
| 33 | D2P [D2] | LVDS Bit 2 Output True [LVCMOS Bit 2] | DDR Logical Bits 3, 2 (LVDS or CMOS) |
| 34 | D3N [NC] | LVDS Bit 3 Output Complement [NC in LVCMOS] | NC in DDR |
| 35 | D3P [D3] | LVDS Bit 3 Output True [LVCMOS Bit 3] | NC in DDR |
| 37 | D4N [NC] | LVDS Bit 4 Output Complement [NC in LVCMOS] | DDR Logical Bits 5, 4 (LVDS) |
| 38 | D4P [D4] | LVDS Bit 4 Output True [LVCMOS Bit 4] | DDR Logical Bits 5, 4 (LVDS or CMOS) |
| 39 | D5N [NC] | LVDS Bit 5 Output Complement [NC in LVCMOS] | NC in DDR |
| 40 | D5P [D5] | LVDS Bit 5 Output True [LVCMOS Bit 5] | NC in DDR |
| 41 | D6N [NC] | LVDS Bit 6 Output Complement [NC in LVCMOS] | DDR Logical Bits 7, 6 (LVDS) |
| 42 | D6P [D6] | LVDS Bit 6 Output True [LVCMOS Bit 6] | DDR Logical Bits 7, 6 (LVDS or CMOS) |
| 43 | D7N [NC] | LVDS Bit 7 Output Complement [NC in LVCMOS] | NC in DDR |
| 44 | D7P [D7] | LVDS Bit 7 Output True [LVCMOS Bit 7] | NC in DDR |
| 46 | RLVDS | LVDS Bias Resistor | |
| 47 | CLKOUTN [NC] | LVDS Clock Output Complement [NC in LVCMOS] | |
| 48 | CLKOUTP [CLKOUT] | LVDS Clock Output True [LVCMOS CLKOUT] | |
| 49 | D8N [NC] | LVDS Bit 8 Output Complement [NC in LVCMOS] | DDR Logical Bits 9, 8 (LVDS) |
| 50 | D8P [D8] | LVDS Bit 8 Output True [LVCMOS Bit 8] | DDR Logical Bits 9, 8 (LVDS or CMOS) |
| 51 | D9N [NC] | LVDS Bit 9 Output Complement [NC in LVCMOS] | NC in DDR |
| 52 | D9P [D9] | LVDS Bit 9 Output True [LVCMOS Bit 9] | NC in DDR |
| 53 | D10N [NC] | LVDS Bit 10 Output Complement [NC in LVCMOS] | DDR Logical Bits 11, 10 (LVDS) |
| 54 | D10P [D10] | LVDS Bit 10 Output True [LVCMOS Bit 10] | DDR Logical Bits 11, 10 (LVDS or CMOS) |
| 57 | D11N [NC] | LVDS Bit 11 Output Complement [NC in LVCMOS] | NC in DDR |

| Pin Number | LVDS [LVCMOS] Name | LVDS [LVCMOS] Function SDR Mode | DDR Mode Comments |
|----------------|--------------------|---|--|
| 58 | D11P [D11] | LVDS Bit 11 Output True [LVCMOS Bit 11] | NC in DDR |
| 59 | D12N [NC] | LVDS Bit 12 Output Complement [NC in LVCMOS] | DDR Logical Bits 13, 12 (LVDS) |
| 60 | D12P [D10] | LVDS Bit 12 Output True [LVCMOS Bit 10] | DDR Logical Bits 13, 12 (LVDS or CMOS) |
| 61 | D13N [NC] | LVDS Bit 13 (MSB) Output Complement [NC in LVCMOS] | NC in DDR |
| 62 | D13P [D13] | LVDS Bit 13 (MSB) Output True [LVCMOS Bit 11] | NC in DDR |
| 63 | ORN [NC] | LVDS Over-Range Complement [NC in LVCMOS] | |
| 64 | ORP [OR] | LVDS Over-Range True [LVCMOS Over-Range] | |
| 66 | SDO | SPI Serial Data Output (4.7kΩ pull-up to OVDD is required) | |
| 67 | CSB | SPI Chip Select (active low) | |
| 68 | SCLK | SPI Clock | |
| 69 | SDIO | SPI Serial Data Input/Output | |
| 70 | OUTFMT | Tri-Level Output Data Format (Two's Complement, Gray Code, Offset Binary) | |
| Exposed Paddle | AVSS | Analog Ground | |

Note: LVCMOS Output Mode Functionality is shown in brackets (NC = No Connection).

1.3.2 48 QFN

| Pin Number | LVDS [LVCMOS] Name | LVDS [LVCMOS] Function |
|------------------|--------------------|---|
| 1, 9, 13, 17, 47 | AVDD | 1.8V Analog Supply |
| 2, 3, 4, 11 | DNC | Do Not Connect |
| 5, 8, 12, 48 | AVSS | Analog Ground |
| 6 | VINN | Analog Input Negative |
| 7 | VINP | Analog Input Positive |
| 10 | VCM | Common Mode Output |
| 14, 15 | CLKP, CLKN | Clock Input True, Complement |
| 16 | NAPSLP | Tri-Level Power Control (Nap, Sleep Modes) |
| 18 | RESETN | Power-on Reset (Active Low, see "User-Initiated Reset" on page 20) |
| 19, 29, 42 | OVSS | Output Ground |
| 20, 37 | OVDD | 1.8V Output Supply |
| 21 | D0N [NC] | LVDS DDR Logical Bits 1, 0 Output Complement [NC in LVCMOS] |
| 22 | D0P [D0] | LVDS DDR Logical Bits 1, 0 Output True [CMOS DDR Logical Bits 1, 0 in LVCMOS] |
| 23 | D1N [NC] | LVDS DDR Logical Bits 3, 2 Output Complement [NC in LVCMOS] |
| 24 | D1P [D1] | LVDS DDR Logical Bits 3, 2 Output True [CMOS DDR Logical Bits 3, 2 in LVCMOS] |
| 25 | D2N [NC] | LVDS DDR Logical Bits 5, 4 Output Complement [NC in LVCMOS] |

| Pin Number | LVDS [LVCMOS] Name | LVDS [LVCMOS] Function |
|----------------|---------------------|--|
| 26 | D2P [D2] | LVDS DDR Logical Bits 5, 4 Output True [CMOS DDR Logical Bits 5, 4 in LVCMOS] |
| 27 | D3N [NC] | LVDS DDR Logical Bits 7, 6 Output Complement [NC in LVCMOS] |
| 28 | D3P [D3] | LVDS DDR Logical Bits 7, 6 Output True [CMOS DDR Logical Bits 7, 6 in LVCMOS] |
| 30 | RLVDS | LVDS Bias Resistor |
| 31 | CLKOUTN [NC] | LVDS Clock Output Complement [NC in LVCMOS] |
| 32 | CLKOUTP [CLKOUT] | LVDS Clock Output True [LVCMOS CLKOUT] |
| 33 | D4N [NC] | LVDS DDR Logical Bits 9, 8 Output Complement [NC in LVCMOS] |
| 34 | D4P [D4] | LVDS DDR Logical Bits 9, 8 Output True [CMOS DDR Logical Bits 9, 8 in LVCMOS] |
| 35 | D5N [NC] | LVDS DDR Logical Bits 11, 10 Output Complement [NC in LVCMOS] |
| 36 | D5P [D5] | LVDS DDR Logical Bits 11, 10 Output True [CMOS DDR Logical Bits 11, 10 in LVCMOS] |
| 38 | D6N [NC] | LVDS DDR Logical Bits 13, 12 Output Complement [NC in LVCMOS] |
| 39 | D6P [D6] | LVDS DDR Logical Bits 13, 12 Output True [CMOS DDR Logical Bits 13, 12 in LVCMOS] |
| 40 | ORN [NC] | LVDS Over-Range Complement [NC in LVCMOS] |
| 41 | ORP [OR] | LVDS Over-Range True [LVCMOS Over-Range] |
| 43 | SDO | SPI Serial Data Output (4.7kΩ pull-up to OVDD is required) |
| 44 | CSB | SPI Chip Select (active low) |
| 45 | SCLK | SPI Clock |
| 46 | SDIO | SPI Serial Data Input/Output |
| Exposed Paddle | AVSS | Analog Ground |

Note: LVCMOS output mode functionality is shown in brackets (NC = No Connection).

2. Specifications

2.1 Absolute Maximum Ratings

| Parameter | Minimum | Maximum | Unit |
|-----------------------|---------|------------|------|
| AVDD to AVSS | -0.4 | 2.1 | V |
| OVDD to OVSS | -0.4 | 2.1 | V |
| AVSS to OVSS | -0.3 | 0.3 | V |
| Analog Inputs to AVSS | -0.4 | AVDD + 0.3 | V |
| Clock Inputs to AVSS | -0.4 | AVDD + 0.3 | V |
| Logic Inputs to AVSS | -0.4 | OVDD + 0.3 | V |
| Logic Inputs to OVSS | -0.4 | OVDD + 0.3 | V |

CAUTION: Do not operate at or near the maximum ratings listed for extended periods of time. Exposure to such conditions can adversely impact product reliability and result in failures not covered by warranty.

2.2 Thermal Information

| Thermal Resistance (Typical, Note 4) | θ_{JA} (°C/W) |
|---|----------------------|
| 48 Ld QFN Package | 25 |
| 72 Ld QFN Package | 24 |

Notes:

- θ_{JA} is measured with the component mounted on a high effective thermal conductivity test board in free air. See [TB379](#) for details.

| Parameter | Minimum | Maximum | Unit |
|------------------------|---------------------------|---------|------|
| Operating Temperature | -40 | +85 | °C |
| Storage Temperature | -65 | +150 | °C |
| Junction Temperature | | +150 | °C |
| Pb-Free Reflow Profile | see TB493 | | |

2.3 Electrical Specifications

All specifications apply under the following conditions unless otherwise noted: AVDD = 1.8V, OVDD = 1.8V, T_A = -40°C to +85°C (typical specifications at +25°C), A_{IN} = -1dBFS, f_{SAMPLE} = maximum conversion rate (per speed grade).

| Parameter | Symbol | Test Conditions | KAD5514P-25 (Note 8) | | | KAD5514P-21 (Note 8) | | | KAD5514P-17 (Note 8) | | | KAD5514P-12 (Note 8) | | | Unit |
|--|-------------------|--|-------------------------|------|------|-------------------------|------|------|-------------------------|------|------|-------------------------|------|------|------------------|
| | | | Min | Typ | Max | Min | Typ | Max | Min | Typ | Max | Min | Typ | Max | |
| DC Specifications | | | | | | | | | | | | | | | |
| Analog Input | | | | | | | | | | | | | | | |
| Full-Scale Analog Input Range | V _{FS} | Differential | 1.4 | 1.47 | 1.54 | 1.4 | 1.47 | 1.54 | 1.4 | 1.47 | 1.54 | 1.4 | 1.47 | 1.54 | V _{P-P} |
| Input Resistance | R _{IN} | Differential | | 500 | | | 500 | | | 500 | | | 500 | | Ω |
| Input Capacitance | C _{IN} | Differential | | 2.6 | | | 2.6 | | | 2.6 | | | 2.6 | | pF |
| Full-Scale Range Temperature Drift | A _{VTC} | Full Temperature | | 90 | | | 90 | | | 90 | | | 90 | | ppm/°C |
| Input Offset Voltage | V _{OS} | | -10 | ±2 | 10 | -10 | ±2 | 10 | -10 | ±2 | 10 | -10 | ±2 | 10 | mV |
| Gain Error | E _G | | | ±0.6 | | | ±0.6 | | | ±0.6 | | | ±0.6 | | % |
| Common-Mode Output Voltage | V _{CM} | | 435 | 535 | 635 | 435 | 535 | 635 | 435 | 535 | 635 | 435 | 535 | 635 | mV |
| Clock Inputs | | | | | | | | | | | | | | | |
| Inputs Common-Mode Voltage | | | | 0.9 | | | 0.9 | | | 0.9 | | | 0.9 | | V |
| CLKP, CLKN Input Swing | | | | 1.8 | | | 1.8 | | | 1.8 | | | 1.8 | | V |
| Power Requirements | | | | | | | | | | | | | | | |
| 1.8V Analog Supply Voltage | AVDD | | 1.7 | 1.8 | 1.9 | 1.7 | 1.8 | 1.9 | 1.7 | 1.8 | 1.9 | 1.7 | 1.8 | 1.9 | V |
| 1.8V Digital Supply Voltage | OVDD | | 1.7 | 1.8 | 1.9 | 1.7 | 1.8 | 1.9 | 1.7 | 1.8 | 1.9 | 1.7 | 1.8 | 1.9 | V |
| 1.8V Analog Supply Current | I _{AVDD} | | | 170 | 190 | | 157 | 176 | | 145 | 163 | | 129 | 147 | mA |
| 1.8V Digital Supply Current (Note 5) (SDR) | I _{OVDD} | 3mA LVDS | | 68 | 76 | | 66 | 74 | | 64 | 72 | | 62 | 70 | mA |
| 1.8V Digital Supply Current (Note 5) (DDR) | I _{OVDD} | 3mA LVDS | | 46 | | | 44 | | | 43 | | | 42 | | mA |
| Power Supply Rejection Ratio | PSRR | 30MHz, 200mV _{P-P} signal on AVDD | | -36 | | | -36 | | | -36 | | | -36 | | dB |

All specifications apply under the following conditions unless otherwise noted: AVDD = 1.8V, OVDD = 1.8V, T_A = -40°C to +85°C (typical specifications at +25°C), A_{IN} = -1dBFS, f_{SAMPLE} = maximum conversion rate (per speed grade). (Continued)

| Parameter | Symbol | Test Conditions | KAD5514P-25 (Note 8) | | | KAD5514P-21 (Note 8) | | | KAD5514P-17 (Note 8) | | | KAD5514P-12 (Note 8) | | | Unit |
|----------------------------------|--------------------|--------------------------|-------------------------|------|-------|-------------------------|------|-------|-------------------------|------|-------|-------------------------|------|-------|------|
| | | | Min | Typ | Max | Min | Typ | Max | Min | Typ | Max | Min | Typ | Max | |
| Total Power Dissipation | | | | | | | | | | | | | | | |
| Normal Mode (SDR) | P _D | 3mA LVDS | | 429 | 463 | | 402 | 433 | | 378 | 406 | | 345 | 376 | mW |
| Normal Mode (DDR) | P _D | 3mA LVDS | | 390 | | | 363 | | | 339 | | | 309 | | mW |
| Nap Mode | P _D | | | 148 | 170.2 | | 142 | 164.2 | | 136 | 158.2 | | 129 | 150.2 | mW |
| Sleep Mode | P _D | CSB at logic high | | 2 | 6 | | 2 | 6 | | 2 | 6 | | 2 | 6 | mW |
| Nap Mode Wake-Up Time (Note 6) | | Sample Clock Running | | 1 | | | 1 | | | 1 | | | 1 | | μs |
| Sleep Mode Wake-Up Time (Note 6) | | Sample Clock Running | | 1 | | | 1 | | | 1 | | | 1 | | ms |
| AC Specifications | | | | | | | | | | | | | | | |
| Differential Nonlinearity | DNL | | -1.0 | ±0.3 | 1.0 | -1.0 | ±0.3 | 1.0 | -1.0 | ±0.3 | 1.0 | -1.0 | ±0.3 | 1.0 | LSB |
| Integral Nonlinearity | INL | | | ±3.5 | | | ±3.5 | | | ±3.5 | | | ±5.0 | | LSB |
| Minimum Conversion Rate (Note 7) | f _S MIN | | | | 40 | | | 40 | | | 40 | | | 40 | MSPS |
| Maximum Conversion Rate | f _S MAX | | 250 | | | 210 | | | 170 | | | 125 | | | MSPS |
| Signal-to-Noise Ratio | SNR | f _{IN} = 10MHz | | 69.5 | | 70.2 | | | 70.6 | | | 70.9 | | | dBFS |
| | | f _{IN} = 105MHz | 66.4 | 69.4 | | 67.4 | 70.2 | | 68.1 | 70.4 | | 68.4 | 70.7 | | dBFS |
| | | f _{IN} = 190MHz | | 68.9 | | | 69.4 | | | 70.0 | | | 70.1 | | dBFS |
| | | f _{IN} = 364MHz | | 67.6 | | | 68.1 | | | 68.9 | | | 68.7 | | dBFS |
| | | f _{IN} = 695MHz | | 64.9 | | | 65.1 | | | 66.3 | | | 65.7 | | dBFS |
| | | f _{IN} = 995MHz | | 62.6 | | | 62.9 | | | 64.1 | | | 63.4 | | dBFS |
| Signal-to-Noise and Distortion | SINAD | f _{IN} = 10MHz | | 69.4 | | 70.2 | | | 70.5 | | | 70.7 | | | dBFS |
| | | f _{IN} = 105MHz | 65.9 | 69.1 | | 66.9 | 70.2 | | 67.6 | 70.1 | | 67.6 | 70.3 | | dBFS |
| | | f _{IN} = 190MHz | | 68.4 | | | 69.1 | | | 69.4 | | | 69.7 | | dBFS |
| | | f _{IN} = 364MHz | | 66.7 | | | 67.0 | | | 67.6 | | | 67.6 | | dBFS |
| | | f _{IN} = 695MHz | | 59.0 | | | 58.9 | | | 60.1 | | | 59.9 | | dBFS |
| | | f _{IN} = 995MHz | | 48.2 | | | 48.2 | | | 49.1 | | | 50.4 | | dBFS |
| Effective Number of Bits | ENOB | f _{IN} = 10MHz | | 11.2 | | 11.4 | | | 11.4 | | | 11.5 | | | Bits |
| | | f _{IN} = 105MHz | 10.8 | 11.2 | | 10.9 | 11.4 | | 11.0 | 11.4 | | 11.0 | 11.4 | | Bits |
| | | f _{IN} = 190MHz | | 11.1 | | | 11.2 | | | 11.2 | | | 11.3 | | Bits |
| | | f _{IN} = 364MHz | | 10.8 | | | 10.8 | | | 10.9 | | | 10.9 | | Bits |
| | | f _{IN} = 695MHz | | 9.5 | | | 9.5 | | | 9.7 | | | 9.7 | | Bits |
| | | f _{IN} = 995MHz | | 7.7 | | | 7.7 | | | 7.9 | | | 8.1 | | Bits |

All specifications apply under the following conditions unless otherwise noted: AVDD = 1.8V, OVDD = 1.8V, T_A = -40°C to +85°C (typical specifications at +25°C), A_{IN} = -1dBFS, f_{SAMPLE} = maximum conversion rate (per speed grade). (Continued)

| Parameter | Symbol | Test Conditions | KAD5514P-25 (Note 8) | | | KAD5514P-21 (Note 8) | | | KAD5514P-17 (Note 8) | | | KAD5514P-12 (Note 8) | | | Unit |
|-----------------------------|--------|--------------------------|-------------------------|-------------------|-----|-------------------------|-------------------|-----|-------------------------|-------------------|-----|-------------------------|-------------------|-----|------|
| | | | Min | Typ | Max | Min | Typ | Max | Min | Typ | Max | Min | Typ | Max | |
| Spurious-Free Dynamic Range | SFDR | f _{IN} = 10MHz | | 89.9 | | | 86.7 | | | 87.2 | | | 84.9 | | dBc |
| | | f _{IN} = 105MHz | 70.0 | 82.2 | | 70.0 | 85.2 | | 70.0 | 82.0 | | 70.0 | 81.7 | | dBc |
| | | f _{IN} = 190MHz | | 80.2 | | | 79.6 | | | 79.2 | | | 80.2 | | dBc |
| | | f _{IN} = 364MHz | | 75.5 | | | 75.6 | | | 75.1 | | | 75.5 | | dBc |
| | | f _{IN} = 695MHz | | 60.4 | | | 60.7 | | | 61.3 | | | 61.4 | | dBc |
| | | f _{IN} = 995MHz | | 47.9 | | | 48.5 | | | 48.7 | | | 50.1 | | dBc |
| Intermodulation Distortion | IMD | f _{IN} = 70MHz | | -89.2 | | | -92.3 | | | -94.5 | | | -94.9 | | dBFS |
| | | f _{IN} = 170MHz | | -91.4 | | | -86.9 | | | -91.7 | | | -85.7 | | dBFS |
| Word Error Rate | WER | | | 10 ⁻¹² | | | 10 ⁻¹² | | | 10 ⁻¹² | | | 10 ⁻¹² | | |
| Full Power Bandwidth | FPBW | | | 950 | | | 950 | | | 950 | | | 950 | | MHz |

Notes:

- Digital Supply Current is dependent upon the capacitive loading of the digital outputs. I_{OVD} specifications apply for 10pF load on each digital output.
- See ["Nap/Sleep" on page 24](#) for more detail.
- The DLL Range setting must be changed for low speed operation. See the ["Serial Peripheral Interface" on page 27](#) for more detail.
- Parameters with MIN and/or MAX limits are 100% production tested at their worst case temperature extreme (+85°C).

2.4 Digital Specifications

| Parameter | Symbol | Test Conditions | Min | Typ | Max | Unit |
|---|-----------------|--------------------------|------------|------------|-----|-------------------|
| Inputs | | | | | | |
| Input Current High (SDIO, RESETN) | I _{IH} | V _{IN} = 1.8V | 0 | 1 | 10 | μA |
| Input Current Low (SDIO, RESETN) | I _{IL} | V _{IN} = 0V | -25 | -12 | -5 | μA |
| Input Voltage High (SDIO, RESETN) | V _{IH} | | 1.17 | | | V |
| Input Voltage Low (SDIO, RESETN) | V _{IL} | | | | .63 | V |
| Input Current High (OUTMODE, NAPSLP, CLKDIV, OUTFMT) (Note 9) | I _{IH} | | 15 | 25 | 40 | μA |
| Input Current Low (OUTMODE, NAPSLP, CLKDIV, OUTFMT) | I _{IL} | | -40 | 25 | -15 | μA |
| Input Capacitance | C _{DI} | | | 3 | | pF |
| LVDS Outputs | | | | | | |
| Differential Output Voltage | V _T | 3mA Mode | | 620 | | mV _{P-P} |
| Output Offset Voltage | V _{OS} | 3mA Mode | 950 | 965 | 980 | mV |
| Output Rise Time | t _R | | | 500 | | ps |
| Output Fall Time | t _F | | | 500 | | ps |
| CMOS Outputs | | | | | | |
| Voltage Output High | V _{OH} | I _{OH} = -500μA | OVDD - 0.3 | OVDD - 0.1 | | V |
| Voltage Output Low | V _{OL} | I _{OL} = 1mA | | 0.1 | 0.3 | V |
| Output Rise Time | t _R | | | 1.8 | | ns |
| Output Fall Time | t _F | | | 1.4 | | ns |

2.5 Timing Diagrams

2.5.1 LVDS Timing Diagrams

See [“Digital Outputs” on page 23.](#)

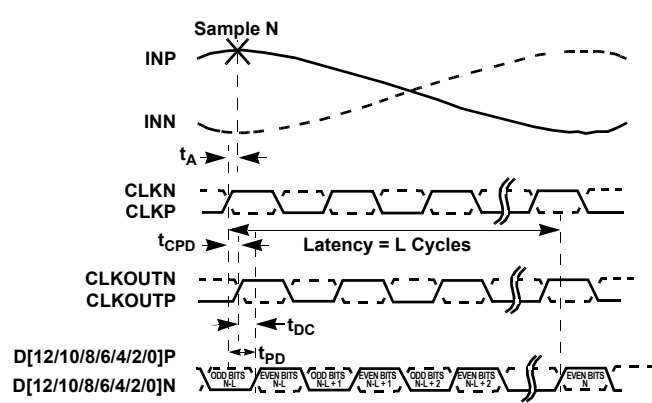


Figure 2. DDR

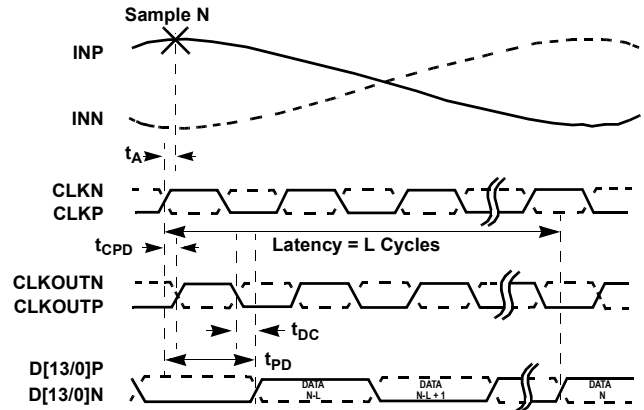


Figure 3. SDR

2.5.2 CMOS Timing Diagram

See [“Digital Outputs” on page 23.](#)

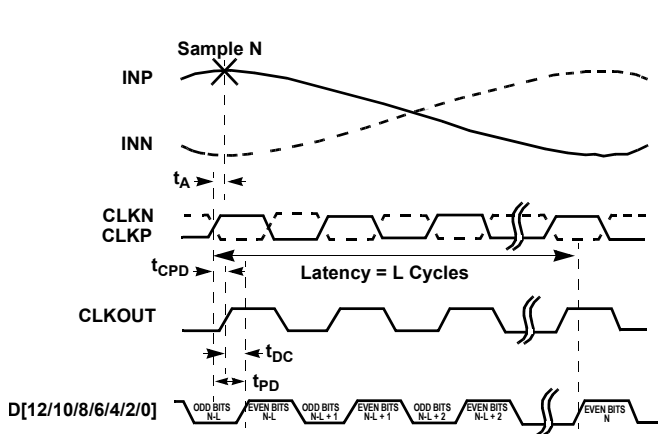


Figure 4. DDR

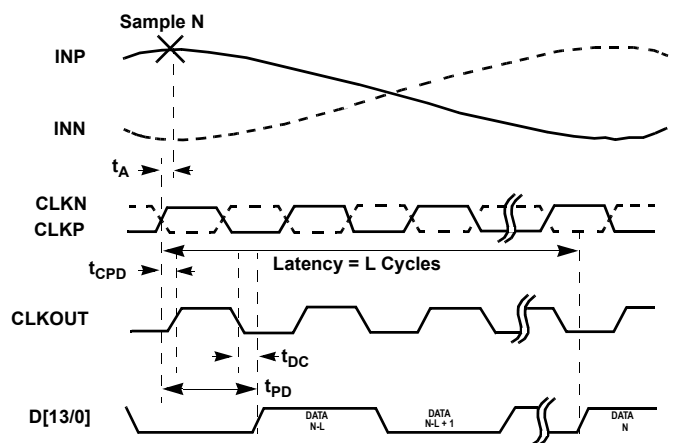


Figure 5. SDR

2.6 Switching Specifications

| Parameter | Condition | Symbol | Min | Typ | Max | Units |
|--|-------------------|----------|------|-----|-----|--------|
| ADC Output | | | | | | |
| Aperture Delay | | t_A | | 375 | | ps |
| RMS Aperture Jitter | | j_A | | 60 | | fs |
| Output Clock to Data Propagation Delay, LVDS Mode (Note 10) | DDR, Rising Edge | t_{DC} | -260 | -50 | 120 | ps |
| | DDR, Falling Edge | t_{DC} | -160 | 10 | 230 | ps |
| | SDR, Falling Edge | t_{DC} | -260 | -40 | 230 | ps |
| Output Clock to Data Propagation Delay, CMOS Mode (Note 10) | DDR, Rising Edge | t_{DC} | -220 | -10 | 200 | ps |
| | DDR, Falling Edge | t_{DC} | -310 | -90 | 110 | ps |
| | SDR, Falling Edge | t_{DC} | -310 | -50 | 200 | ps |
| Latency (Pipeline Delay) | | L | | 8.5 | | cycles |

| Parameter | Condition | Symbol | Min | Typ | Max | Units |
|--|-----------------------------|-----------|-----|-----|------|---------------------|
| Overvoltage Recovery | | t_{OVR} | | 1 | | cycles |
| SPI Interface (Notes 11, 12) | | | | | | |
| SCLK Period | Write Operation | t_{CLK} | 16 | | | cycles (Note 11) |
| | Read Operation | t_{CLK} | 66 | | | cycles |
| SCLK Duty Cycle (t_{HI}/t_{CLK} or t_{LO}/t_{CLK}) | Read or Write | | 25 | 50 | 75 | % |
| CSB \downarrow to SCLK \uparrow Set-Up Time | Read or Write | t_S | 1 | | | cycles |
| CSB \uparrow after SCLK \uparrow Hold Time | Read or Write | t_H | 3 | | | cycles |
| Data Valid to SCLK \uparrow Set-Up Time | Write | t_{DSW} | 1 | | | cycles |
| Data Valid after SCLK \uparrow Hold Time | Write | t_{DHW} | 3 | | | cycles |
| Data Valid after SCLK \downarrow Time | Read | t_{DVR} | | | 16.5 | cycles |
| Data Invalid after SCLK \uparrow Time | Read | t_{DHR} | 3 | | | cycles |
| Sleep Mode CSB \downarrow to SCLK \uparrow Set-Up Time (Note 13) | Read or Write in Sleep Mode | t_S | 150 | | | μ s |

Notes:

9. The Tri-Level Inputs internal switching thresholds are approximately 0.43V and 1.34V. It is advised to float the inputs, tie to ground, or tie to AVDD depending on the function.
10. The input clock to output clock delay is a function of sample rate; using the output clock to latch the data simplifies data capture for most applications. Contact [support](#) for more info if needed.
11. SPI Interface timing is directly proportional to the ADC sample period (4ns at 250MSPS).
12. The SPI may operate asynchronously with respect to the ADC sample clock.
13. The CSB set-up time increases in sleep mode due to the reduced power state. CSB set-up time in Nap mode is equal to normal mode CSB set-up time (4ns min).

3. Typical Performance Curves

All typical performance characteristics apply under the following conditions unless otherwise noted: AVDD = OVDD = 1.8V, T_A = +25°C, A_{IN} = -1dBFS, f_{IN} = 105MHz, f_{SAMPLE} = Maximum Conversion Rate (per speed grade).

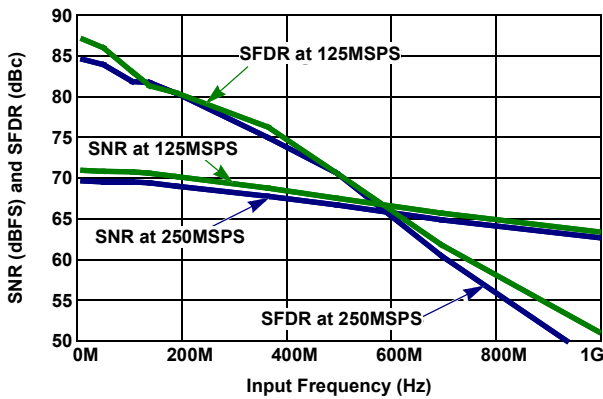


Figure 6. SNR and SFDR vs f_{IN}

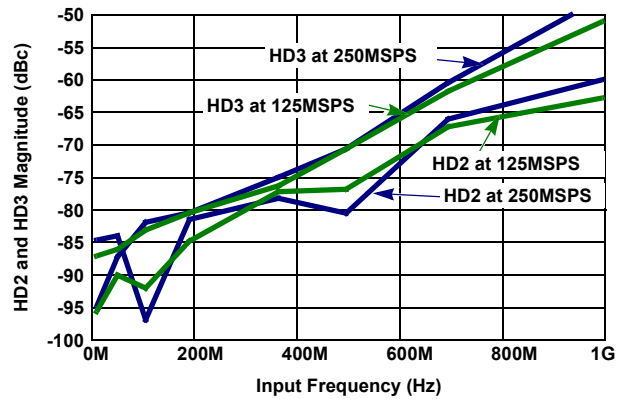


Figure 7. HD2 and HD3 vs f_{IN}

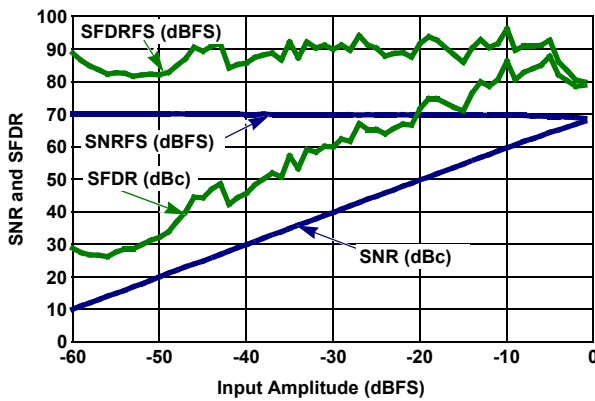


Figure 8. SNR and SFDR vs A_{IN}

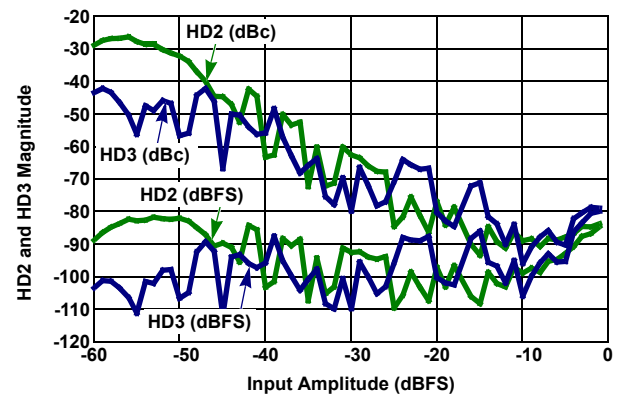


Figure 9. HD2 and HD3 vs A_{IN}

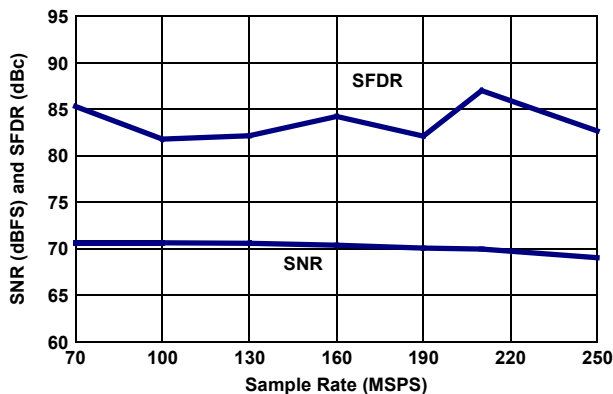


Figure 10. SNR and SFDR vs f_{SAMPLE}

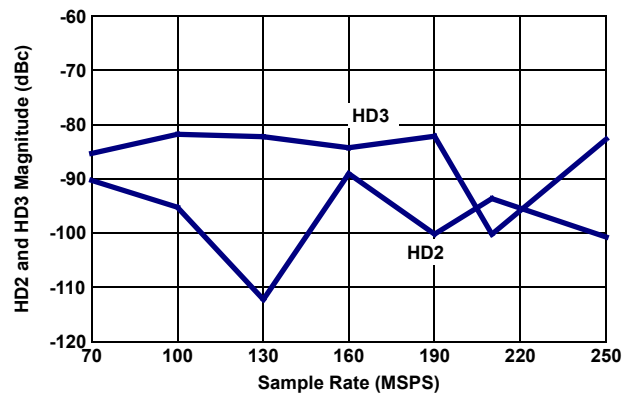


Figure 11. HD2 and HD3 vs f_{SAMPLE}

All typical performance characteristics apply under the following conditions unless otherwise noted: AVDD = OVDD = 1.8V, T_A = +25°C, A_{IN} = -1dBFS, f_{IN} = 105MHz, f_{SAMPLE} = Maximum Conversion Rate (per speed grade). **(Continued)**

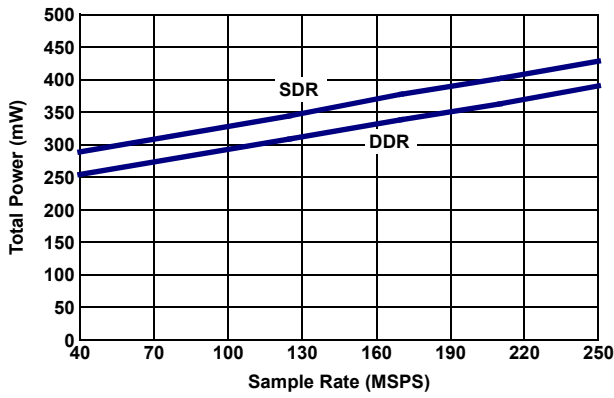


Figure 12. Power vs f_{SAMPLE} in 3mA LVDS Mode

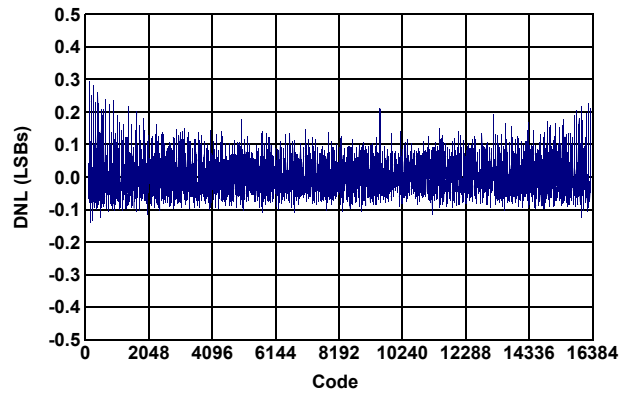


Figure 13. Differential Nonlinearity

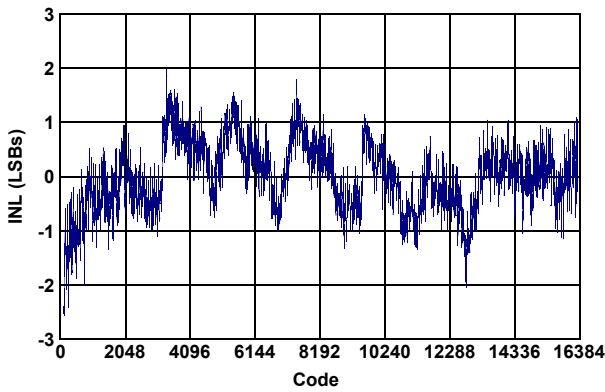


Figure 14. Integral Nonlinearity

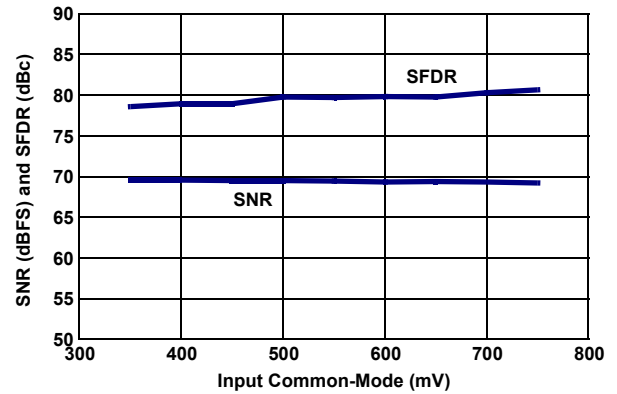


Figure 15. SNR and SFDR vs VCM

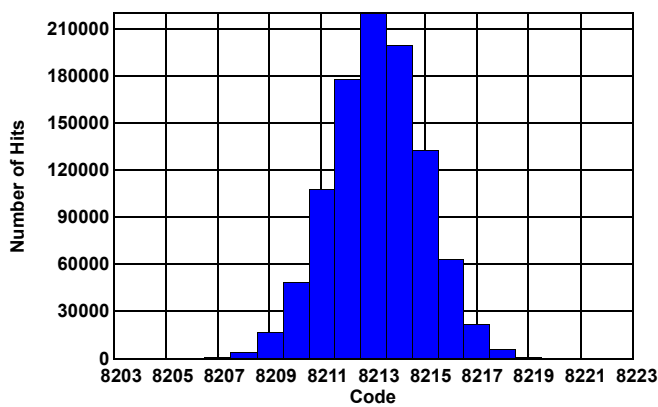


Figure 16. Noise Histogram

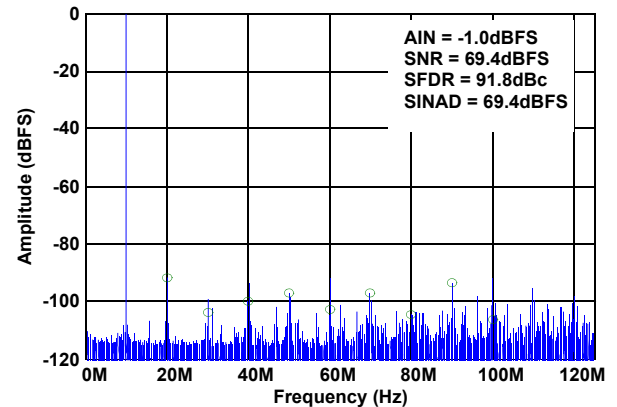


Figure 17. Single-Tone Spectrum AT 10MHz

All typical performance characteristics apply under the following conditions unless otherwise noted: AVDD = OVDD = 1.8V, T_A = +25°C, A_{IN} = -1dBFS, f_{IN} = 105MHz, f_{SAMPLE} = Maximum Conversion Rate (per speed grade). (Continued)

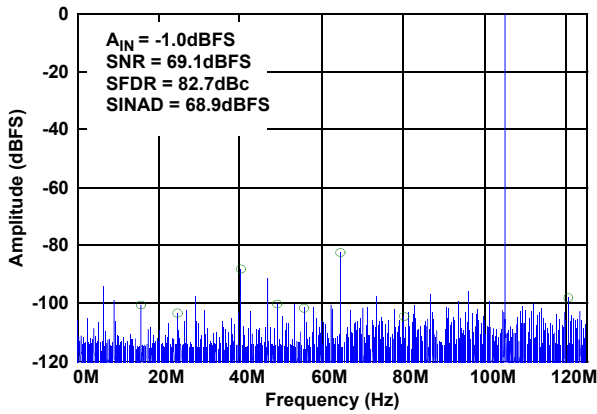


Figure 18. Single-Tone Spectrum at 105MHz

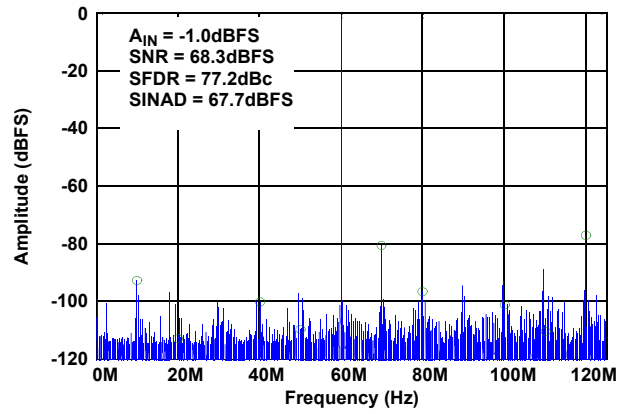


Figure 19. Single-Tone Spectrum at 190MHz

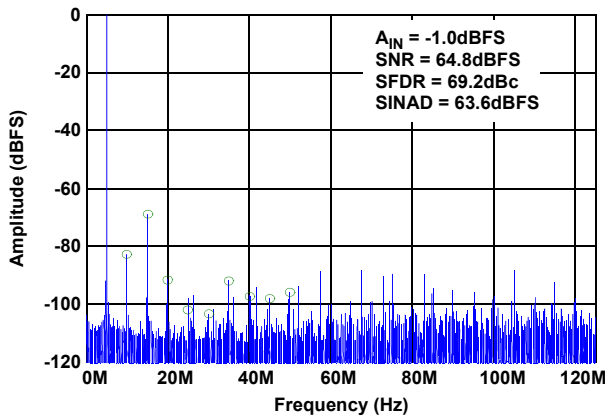


Figure 20. Single-Tone Spectrum at 495MHz

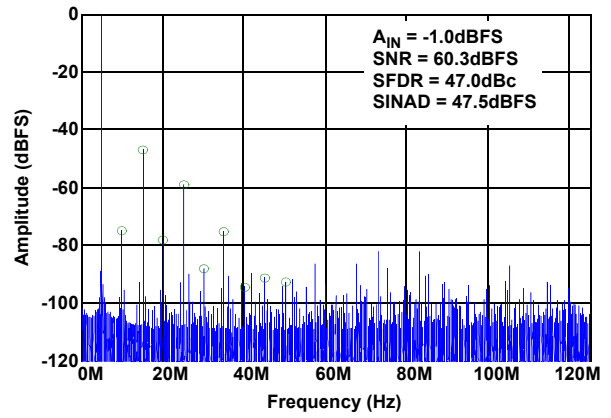


Figure 21. Single-Tone Spectrum at 995MHz

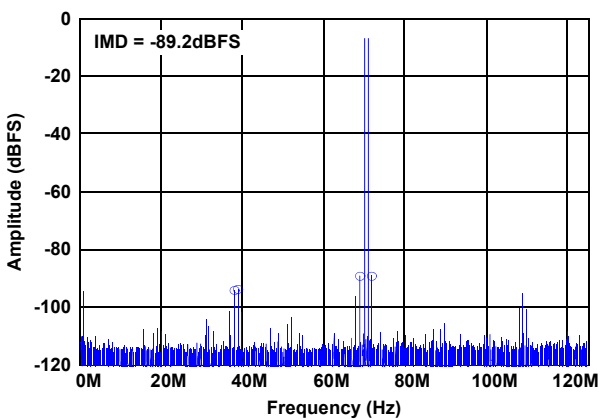


Figure 22. Two-Tone Spectrum at 70MHz

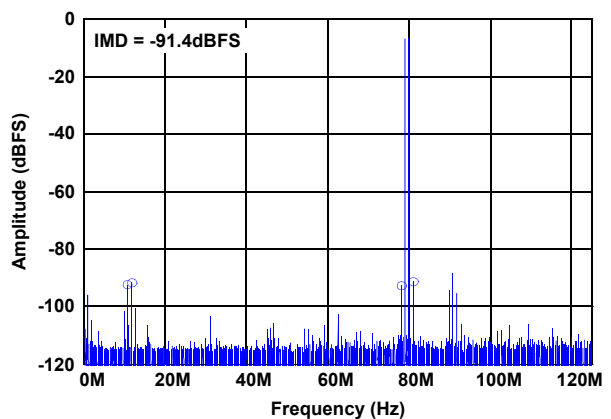


Figure 23. Two-Tone Spectrum at 170MHz

4. Theory of Operation

4.1 Functional Description

The KAD5514P is based upon a 12-bit, 250MSPS ADC core that uses a pipelined successive approximation architecture (Figure 24). The input voltage is captured by a Sample-Hold Amplifier (SHA) and converted to a unit of charge. Proprietary charge-domain techniques successively compare the input to a series of reference charges. Decisions made during the successive approximation operations determine the digital code for each input value. The converter pipeline requires six samples to produce a result. Digital error correction is also applied, and results in a total latency of seven and one half clock cycles. This is evidenced by a time lag on the digital outputs between the start of a conversion and the data is available on the digital outputs.

The KAD5514P family operates by simultaneously sampling the input signal with two ADC cores in parallel and summing the digital result. SNR increases because the input signal is correlated between the two cores and noise is not. As a result of this architecture, indexed SPI operations must be executed on each core in series. See [“Indexed Device Configuration/Control” on page 30](#) for more details.

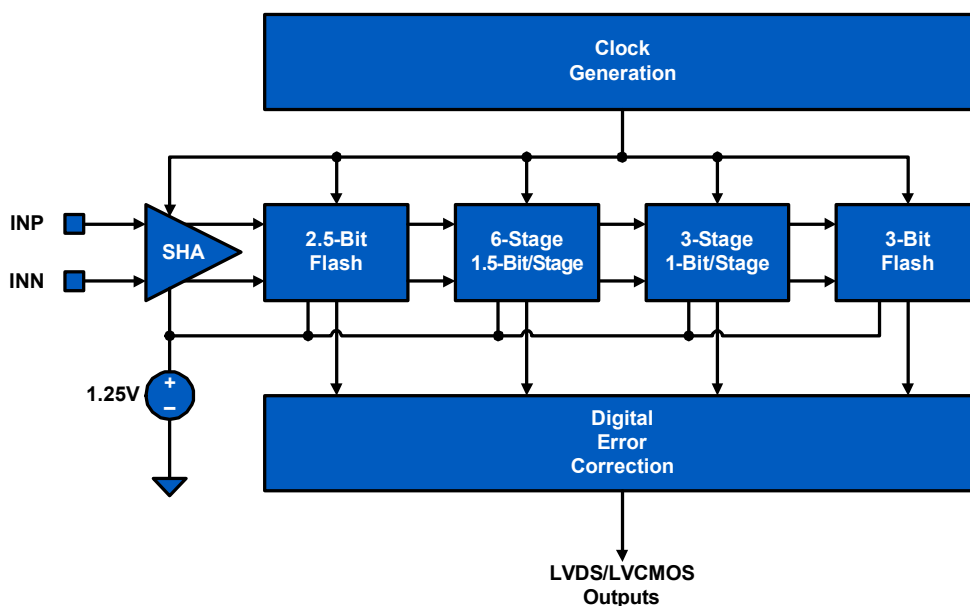


Figure 24. ADC Core Block Diagram

4.2 Power-On Calibration

The ADC performs a self-calibration at start-up. An internal Power-On Reset (POR) circuit detects the supply voltage ramps and initiates the calibration when the analog and digital supply voltages are above a threshold. The following conditions must be adhered to for the power-on calibration to execute successfully:

- A frequency-stable conversion clock must be applied to the CLKP/CLKN pins.
- DNC pins (especially 3, 4, and 18) must not be pulled up or down.
- SDO (pin 66) must be high.
- RESETN (pin 25) must begin low.
- SPI communications must not be attempted.

A user-initiated reset can subsequently be invoked if the above conditions cannot be met at power-up.

The SDO pin requires an external 4.7kΩ pull-up to OVDD. If the SDO pin is pulled low externally during power-up, calibration is not executed properly.

After the power supply has stabilized, the internal POR releases RESETN and an internal pull-up pulls it high, which starts the calibration sequence. If a subsequent user-initiated reset is required, connect the RESETN pin to an open-drain driver with a drive strength of less than 0.5mA.

The calibration sequence is initiated on the rising edge of RESETN, as shown in [Figure 25](#). The Over-Range (OR) output is set high when RESETN is pulled low, and remains in that state until calibration is complete. The OR output returns to normal operation at that time, so it is important that the analog input is within the converter's full-scale range to observe the transition. If the input is in an over-range condition, the OR pin stays high, and it is not possible to detect the end of the calibration cycle.

While RESETN is low, the output clock (CLKOUTP/CLKOUTN) is set low. Normal operation of the output clock resumes at the next input clock edge (CLKP/CLKN) after RESETN is deasserted. At 250MSPS the nominal calibration time is 200ms, while the maximum calibration time is 550ms.

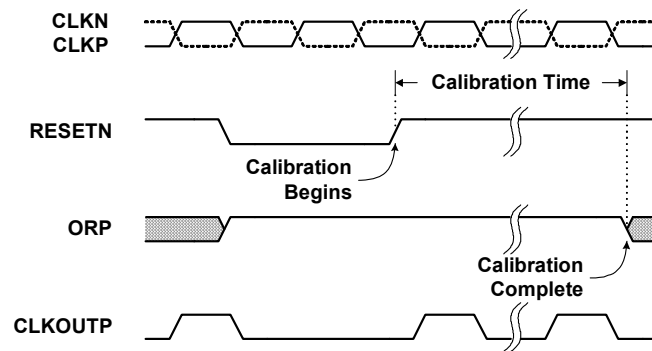


Figure 25. Calibration Timing

4.3 User-Initiated Reset

Recalibration of the ADC can be initiated at any time by driving the RESETN pin low for a minimum of one clock cycle. An open-drain driver with a drive strength of less than 0.5mA is recommended because RESETN has an internal high impedance pull-up to OVDD. As is the case during power-on reset, the SDO, RESETN, and DNC pins must be in the proper state for the calibration to successfully execute.

The performance of the KAD5514P changes with variations in temperature, supply voltage, and sample rate. The extent of these changes may necessitate recalibration, depending on system performance requirements. Best performance is achieved by recalibrating the ADC under the environmental conditions at which it operates.

A supply voltage variation of less than 100mV generally results in an SNR change of less than 0.5dBFS and SFDR change of less than 3dBc. In situations where the sample rate is not constant, best results are obtained if the device is calibrated at the highest sample rate. Reducing the sample rate by less than 80MSPS typically results in an SNR change of less than 0.5dBFS and an SFDR change of less than 3dBc.

[Figures 26](#) and [27](#) on [page 21](#) show the effect of temperature on SNR and SFDR performance with calibration performed at -40°C, +25°C, and +85°C. Each plot shows the variation of SNR/SFDR across temperature after a single calibration at -40°C, +25°C, and +85°C. Best performance is typically achieved by a user-initiated calibration at the operating conditions, as stated earlier. However, performance drift with temperature is not a very strong function of the temperature at which the calibration is performed. Full-rated performance is achieved after power-up calibration regardless of the operating conditions.

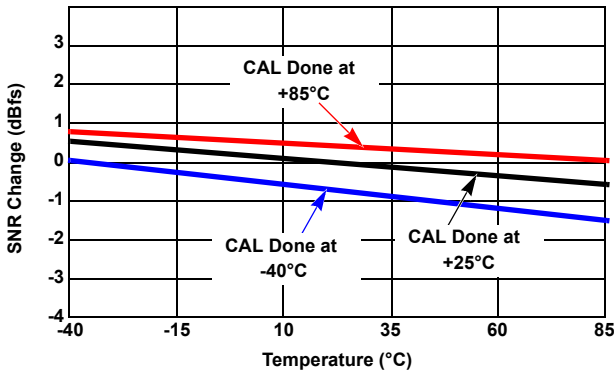


Figure 26. SNR Performance vs Temperature

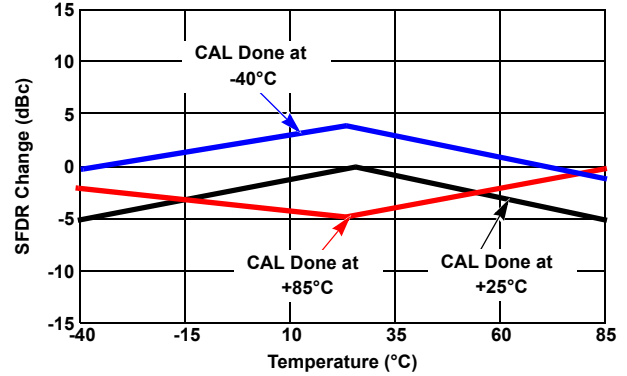


Figure 27. SFDR Performance vs Temperature

4.4 Analog Input

A single fully differential input (VINP/VINN) connects to the Sample and Hold Amplifier (SHA) of each unit ADC. The ideal full-scale input voltage is 1.45V, centered at the VCM voltage of 0.535V as shown in [Figure 28](#).

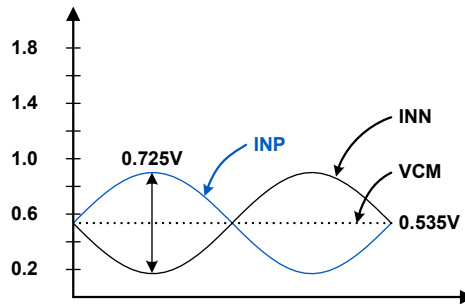


Figure 28. Analog Input Range

Best performance is obtained when the analog inputs are driven differentially. The common-mode output voltage, VCM, should be used to properly bias the inputs as shown in [Figures 29](#) through [31](#). An RF transformer gives the best noise and distortion performance for wideband and/or high Intermediate Frequency (IF) inputs. Two different transformer input schemes are shown in [Figures 29](#) and [30](#).

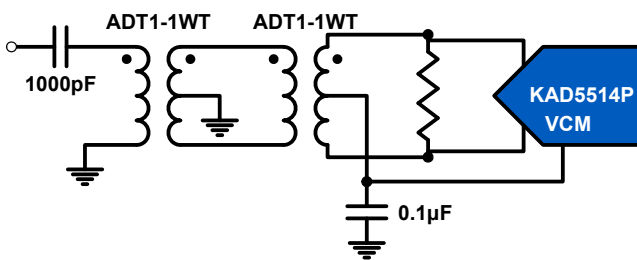


Figure 29. Transformer Input for General Purpose Applications

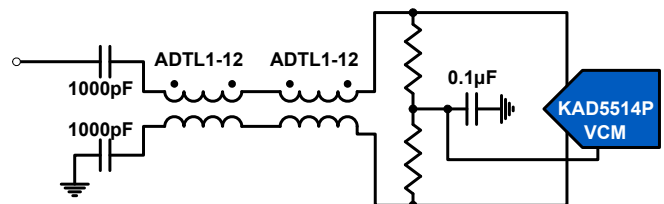


Figure 30. Transmission-Line Transformer Input for High IF Applications

This dual transformer scheme improves common-mode rejection, which keeps the common-mode level of the input matched to VCM. The value of the shunt resistor should be determined based on the load impedance. The differential input resistance of the KAD5514P is 500Ω.

The SHA design uses a switched capacitor input stage (see [Figure 44 on page 36](#)), which creates current spikes when the sampling capacitance is reconnected to the input voltage.

The current spikes a disturbance at the input which must settle before the next sampling point. Lower source impedance results in faster settling and improved performance. Therefore a 1:1 transformer and low shunt resistance are recommended for optimal performance.

A differential amplifier, as shown in [Figure 31](#), can be used in applications that require DC coupling. In this configuration, the amplifier typically dominates the achievable SNR and distortion performance.

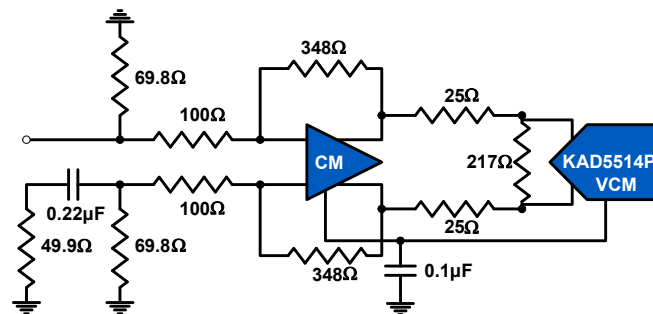


Figure 31. Differential Amplifier Input

4.5 Clock Input

The clock input circuit is a differential pair (see [Figure 45 on page 36](#)). Driving these inputs with a high level (up to $1.8V_{P-P}$ on each input) sine or square wave provides the lowest jitter performance. A transformer with 4:1 impedance ratio provides increased drive levels.

The recommended drive circuit is shown in [Figure 32](#). A duty range of 40% to 60% is acceptable. The clock can be driven single-ended, but this reduces the edge rate and may impact SNR performance. The clock inputs are internally self-biased to $AVDD/2$ to facilitate AC coupling.

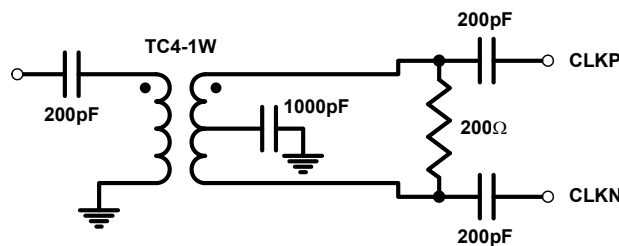


Figure 32. Recommended Clock Drive

A selectable 2x frequency divider is provided in series with the clock input. The divider can be used in the 2x mode with a sample clock equal to twice the desired sample rate. This allows the use of the Phase Slip feature, which enables synchronization of multiple ADCs.

Table 2. CLKDIV Pin Settings

| CLKDIV Pin | DIVIDE Ratio |
|------------|--------------|
| AVSS | 2 |
| Float | 1 |
| AVDD | 4 |

The clock divider can also be controlled through the SPI port, which overrides the CLKDIV pin setting. Details on this are contained in [“Serial Peripheral Interface” on page 27](#).

A Delay-Locked Loop (DLL) generates internal clock signals for various stages within the charge pipeline. If the frequency of the input clock changes, the DLL may take up to $52\mu s$ to regain lock at 250MSPS. The lock time is inversely proportional to the sample rate.

The DLL has two ranges of operation, slow and fast. The slow range can be used for sample rates between 40MSPS and 100MSPS, while the default fast range can be used from 80MSPS to the maximum specified sample rate.

4.6 Jitter

In a sampled data system, clock jitter directly impacts the achievable SNR performance. The theoretical relationship between clock jitter (t_j) and SNR is shown in [Equation 1](#) and is illustrated in [Figure 33](#).

$$(EQ. 1) \quad SNR = 20 \log_{10} \left(\frac{1}{2\pi f_{IN} t_j} \right)$$

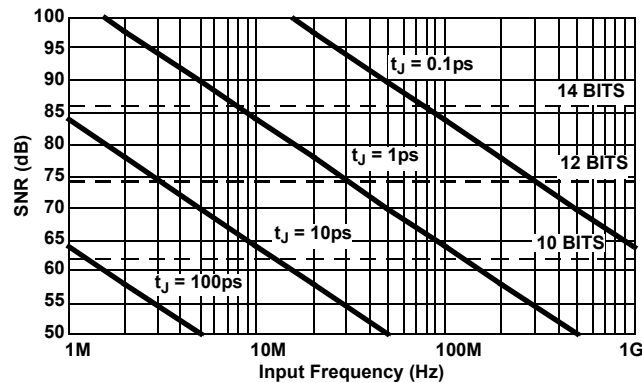


Figure 33. SNR vs Clock Jitter

This relationship shows the SNR that would be achieved if clock jitter were the only non-ideal factor. In reality, achievable SNR is limited by internal factors such as linearity, aperture jitter, and thermal noise. Internal aperture jitter is the uncertainty in the sampling instant shown in [“LVDS Timing Diagrams” on page 14](#). The internal aperture jitter combines with the input clock jitter in a root-sum-square fashion, because they are not statistically correlated, and this determines the total jitter in the system. The total jitter, combined with other noise sources, then determines the achievable SNR.

4.7 Voltage Reference

A temperature compensated voltage reference provides the reference charges used in the successive approximation operations. The full-scale range of each ADC is proportional to the reference voltage. The voltage reference is internally bypassed and is not accessible to you.

4.8 Digital Outputs

Output data is available as a parallel bus in LVDS-compatible or CMOS modes. Additionally, the data can be presented in either Double Data Rate (DDR) or Single Data Rate (SDR) formats. The even numbered data output pins are active in DDR mode in the 72 Ld package option. When CLKOUT is low the MSB and all odd logical bits are output, while on the high phase the LSB and all even logical bits are presented (this is true in both the 72 Ld and 48 Ld package options). The [“Timing Diagrams” on page 14](#) show the timing relationships for LVDS/CMOS and DDR/SDR modes.

The 48 Ld QFN package option contains seven LVDS data output pin pairs, and therefore can only support DDR mode.

Additionally, the drive current for LVDS mode can be set to a nominal 3mA or a power-saving 2mA. The lower current setting can be used in designs where the receiver is in close physical proximity to the ADC. The applicability of this setting is dependent upon the PCB layout, therefore you should experiment to determine if performance degradation is observed.

The output mode and LVDS drive current are selected using the OUTMODE pin as shown in [Table 3 on page 24](#).

Table 3. OUTMODE Pin Settings

| OUTMODE Pin | Mode |
|-------------|-----------|
| AVSS | LVC MOS |
| Float | LVDS, 3mA |
| AVDD | LVDS, 2mA |

The output mode can also be controlled through the SPI port, which overrides the OUTMODE pin setting. Details on this are contained in the [“Serial Peripheral Interface” on page 27](#).

An external resistor creates the bias for the LVDS drivers. A 10k Ω , 1% resistor must be connected from the RLVD pin to OVSS.

4.9 Over-Range Indicator

The Over-Range (OR) bit is asserted when the output code reaches positive full-scale (such as 0xFFF in offset binary mode). The output code does not wrap around during an over-range condition. The OR bit is updated at the sample rate.

4.10 Power Dissipation

The power dissipated by the KAD5514P is primarily dependent on the sample rate and the output modes: LVDS vs CMOS and DDR vs SDR. There is a static bias in the analog supply, while the remaining power dissipation is linearly related to the sample rate. The output supply dissipation changes to a lesser degree in LVDS mode, but is more strongly related to the clock frequency in CMOS mode.

4.11 Nap/Sleep

Portions of the device can be shut down to save power during times when operation of the ADC is not required. Two power saving modes are available: Nap, and Sleep. Nap mode reduces power dissipation to less than 170.2mW and recovers to normal operation in approximately 1 μ s. Sleep mode reduces power dissipation to less than 6mW but requires approximately 1ms to recover from a sleep command.

Wake-up time from sleep mode is dependent on the state of CSB; in a typical application CSB would be held high during sleep, requiring you to wait 150 μ s maximum after CSB is asserted (brought low) prior to writing '001x' to SPI Register 25. The device would be fully powered up, in normal mode 1ms after this command is written.

Wake-up from Sleep Mode Sequence (CSB high):

1. Pull CSB Low
2. Wait 150us
3. Write '001x' to Register 25
4. Wait 1ms until ADC fully powered on

In an application where CSB was kept low in Sleep mode, the 150 μ s CSB set-up time is not required as the SPI registers are powered on when CSB is low, the chip power dissipation increases by ~ 15mW in this case. The 1ms wake-up time after the write of a '001x' to register 25 still applies. It is generally recommended to keep CSB high in Sleep mode to avoid any unintentional SPI activity on the ADC.

All digital outputs (Data, CLKOUT and OR) are placed in a high impedance state during Nap or Sleep. The input clock should remain running and at a fixed frequency during Nap or Sleep, and CSB should be high. Recovery time from Nap mode increases if the clock is stopped, because the internal DLL can take up to 52 μ s to regain lock at 250MSPS.

By default after the device is powered on, the operational state is controlled by the NAPSLP pin as shown in [Table 4 on page 25](#).

Table 4. NAPSLP Pin Settings

| NAPSLP Pin | Mode |
|------------|--------|
| AVSS | Normal |
| Float | Sleep |
| AVDD | Nap |

The power-down mode can also be controlled through the SPI port, which overrides the NAPSLP pin setting. Details on this are contained in the [“Serial Peripheral Interface” on page 27](#). This is an indexed function when controlled from the SPI, but a global function when driven from the pin.

4.12 Data Format

Output data can be presented in three formats:

- Two’s complement
- Gray code
- Offset binary

The data format is selected using the OUTFMT pin as shown in [Table 5](#).

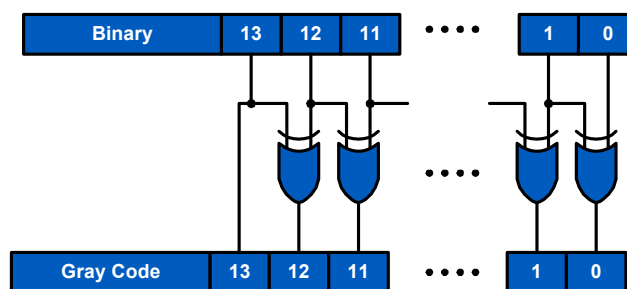
Table 5. OUTFMT Pin Settings

| OUTFMT Pin | Mode |
|------------|------------------|
| AVSS | Offset Binary |
| Float | Two’s Complement |
| AVDD | Gray Code |

The data format can also be controlled through the SPI port, which overrides the OUTFMT pin setting. Details on this are contained in the [“Serial Peripheral Interface” on page 27](#).

Offset binary coding maps the most negative input voltage to code 0x000 (all zeros) and the most positive input to 0xFF (all ones). Two’s complement coding simply complements the MSB of the offset binary representation.

When calculating Gray code the MSB is unchanged. The remaining bits are computed as the XOR of the current bit position and the next most significant bit. [Figure 34](#) shows this operation.

**Figure 34. Binary to Gray Code Conversion**

Converting back to offset binary from Gray code must be done recursively, using the result of each bit for the next lower bit as shown in [Figure 35 on page 26](#).

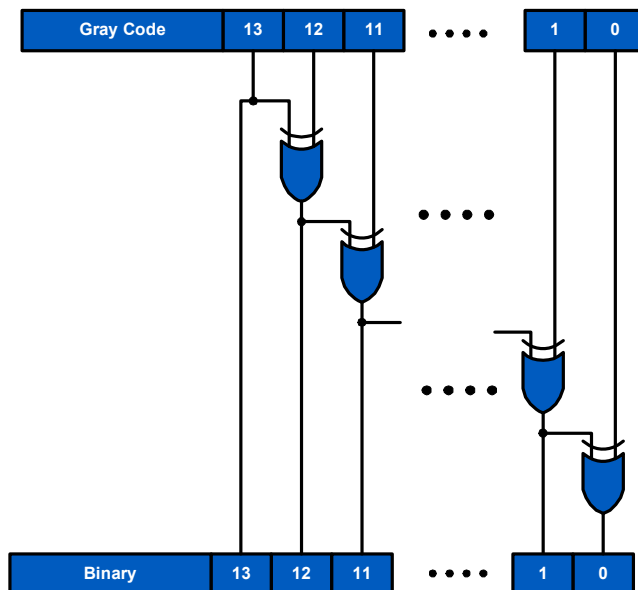


Figure 35. Gray Code to Binary Conversion

Mapping of the input voltage to the various data formats is shown in [Table 6](#).

Table 6. Input Voltage to Output Code Mapping

| Input Voltage | Offset Binary | Two's Complement | Gray Code |
|----------------------|---------------------|---------------------|---------------------|
| -Full-Scale | 000 00 000 00 00 00 | 100 00 000 00 00 00 | 000 00 000 00 00 00 |
| -Full -Scale + 1 LSB | 000 00 000 00 00 01 | 100 00 000 00 00 01 | 000 00 000 00 00 01 |
| Mid-Scale | 100 00 000 00 00 00 | 000 00 000 00 00 00 | 110 00 000 00 00 00 |
| +Full-Scale - 1 LSB | 111 11 111 11 11 10 | 011 11 111 11 11 10 | 100 00 000 00 00 01 |
| +Full-Scale | 111 11 111 11 11 11 | 011 11 111 11 11 11 | 100 00 000 00 00 00 |

5. Serial Peripheral Interface

A Serial Peripheral Interface (SPI) bus facilitates configuration of the device and to optimize performance. The SPI bus consists of Chip Select Bar (CSB), Serial Clock (SCLK) Serial Data Input (SDI), and Serial Data Input/Output (SDIO). The maximum SCLK rate is equal to the ADC sample rate (f_{SAMPLE}) divided by 16 for write operations and f_{SAMPLE} divided by 66 for reads. At $f_{SAMPLE} = 250\text{MHz}$, maximum SCLK is 15.63MHz for writing and 3.79MHz for read operations. There is no minimum SCLK rate.

The following sections describe various registers that configure the SPI or adjust performance or functional parameters. Many registers in the available address space (0x00 to 0xFF) are not defined in this document. Additionally, within a defined register there may be certain bits or bit combinations that are reserved. Undefined registers and undefined values within defined registers are reserved and should not be selected. Setting any reserved register or value may produce indeterminate results.

5.1 SPI Physical Interface

The Serial Clock pin (SCLK) provides synchronization for the data transfer. By default, all data is presented on the Serial Data Input/Output (SDIO) pin in 3-wire mode. The state of the SDIO pin is set automatically in the communication protocol (described in the following). A dedicated Serial Data Output pin (SDO) can be activated by setting 0x00[7] high to allow operation in 4-wire mode.

The SPI port operates in a half duplex master/slave configuration, with the KAD5514P functioning as a slave. Multiple slave devices can interface to a single master in 3-wire mode only, because the SDO output of an unaddressed device is asserted in 4-wire mode.

The Chip-Select Bar (CSB) pin determines when a slave device is being addressed. Multiple slave devices can be written to concurrently, but only one slave device can be read from at a given time (again, only in 3-wire mode). If multiple slave devices are selected for reading at the same time, the results are indeterminate.

The communication protocol begins with an instruction/address phase. The first rising SCLK edge following a HIGH to LOW transition on CSB determines the beginning of the two-byte instruction/address command. SCLK must be static low before the CSB transition. Data can be presented in MSB-first order or LSB-first order. The default is MSB-first, but this can be changed by setting 0x00[6] high. [Figures 36](#) and [37](#) show the appropriate bit ordering for the MSB-first and LSB-first modes, respectively. In MSB-first mode the address is incremented for multi-byte transfers, while in LSB-first mode it is decremented.

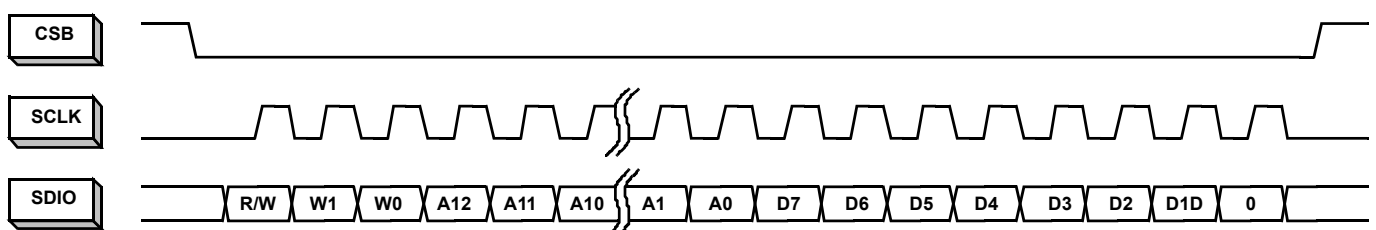


Figure 36. MSB-First Addressing

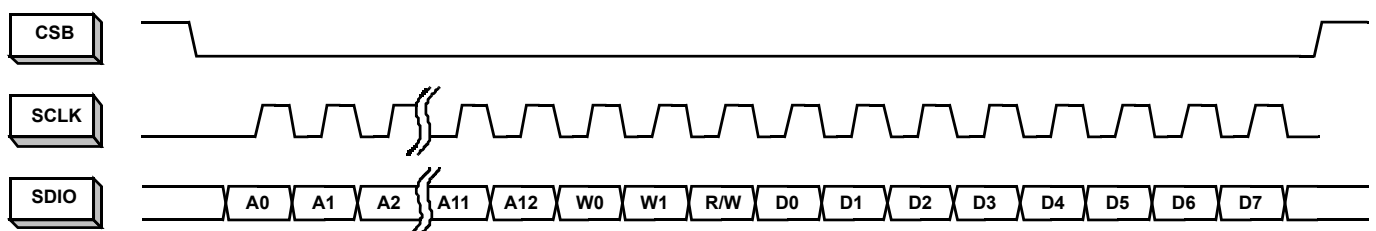


Figure 37. LSB-First Addressing

In the default mode the MSB is R/W, which determines if the data is to be read (active high) or written. The next two bits, W1 and W0, determine the number of data bytes to be read or written (see [Table 7](#)). The lower 13 bits contain the first address for the data transfer. This relationship is illustrated in [Figure 38](#), and timing values are given in the [“Switching Specifications” on page 14](#).

After the instruction/address bytes have been read, the appropriate number of data bytes are written to or read from the ADC (based on the R/W bit status). The data transfer continues as long as CSB remains low and SCLK is active. Stalling of the CSB pin is allowed at any byte boundary (instruction/address or data) if the number of bytes being transferred is three or less. For transfers of four bytes or more, CSB is allowed stall in the middle of the instruction/address bytes or before the first data byte. If CSB transitions to a high state after that point the state machine resets and terminates the data transfer.

Table 7. Byte Transfer Selection

| [W1:W0] | Bytes Transferred |
|---------|-------------------|
| 00 | 1 |
| 01 | 2 |
| 10 | 3 |
| 11 | 4 or more |

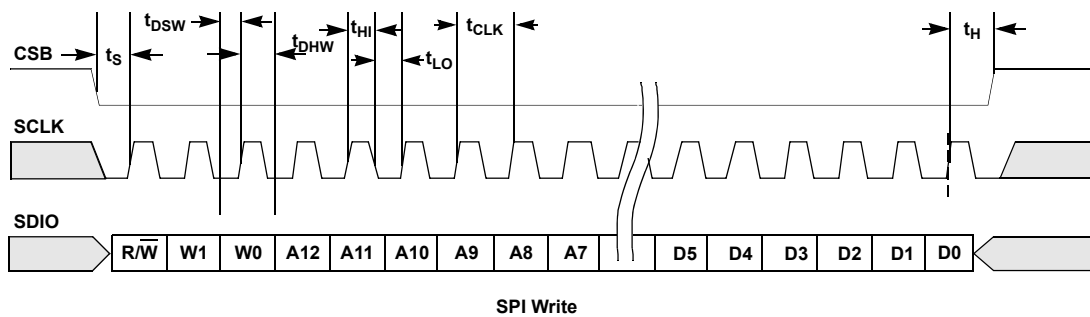


Figure 38. Write Timing

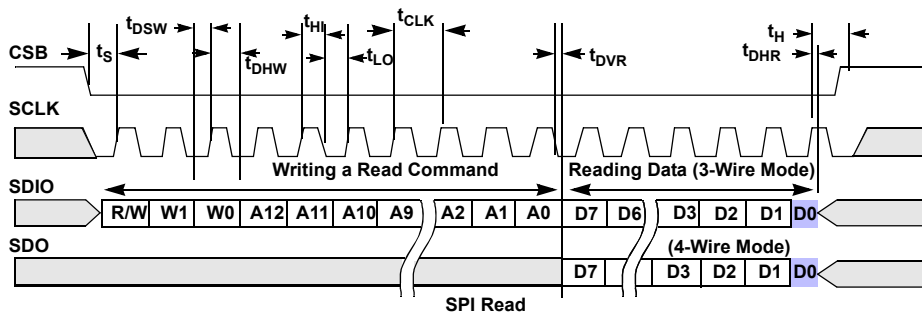


Figure 39. Read Timing

[Figures 40](#) and [41](#) illustrate the timing relationships for 2-byte and N-byte transfers, respectively. The operation for a 3-byte transfer can be inferred from these diagrams.

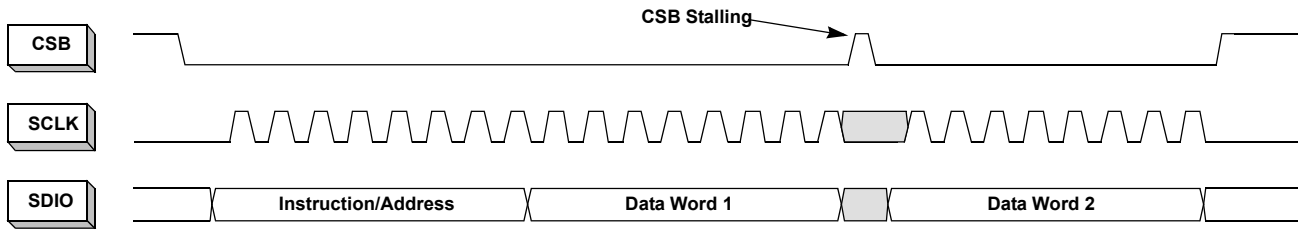


Figure 40. 2-Byte Transfer

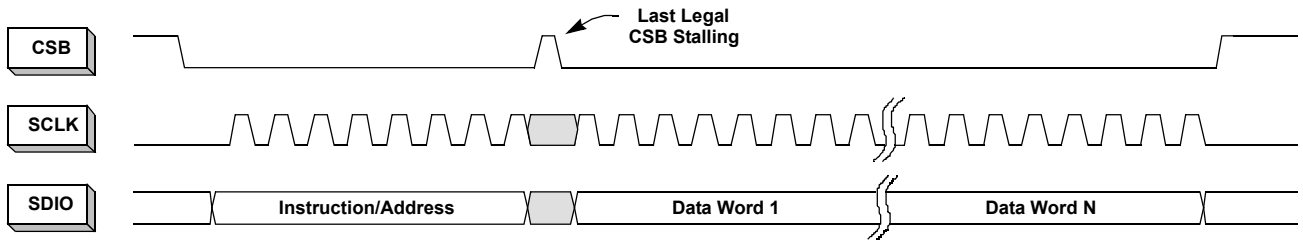


Figure 41. N-Byte Transfer

5.2 SPI Configuration

5.2.1 Address 0x00: CHIP_PORT_CONFIG

Bit ordering and SPI reset are controlled by this register. Bit order can be selected as MSB to LSB (MSB first) or LSB to MSB (LSB first) to accommodate various microcontrollers.

| Bit Number | Bit Name | Description |
|------------|------------|--|
| 7 | SDO Active | |
| 6 | LSB First | Setting this bit high configures the SPI to interpret serial data as arriving in LSB to MSB order. |
| 5 | Soft Reset | Setting this bit high resets all SPI registers to default values. |
| 4 | Reserved | This bit should always be set high. |
| 3:0 | | These bits should always mirror bits 4:7 to avoid ambiguity in bit ordering. |

5.2.2 Address 0x02: BURST_END

If a series of sequential registers are to be set, burst mode can improve throughput by eliminating redundant addressing. In 3-wire SPI mode the burst is ended by pulling the CSB pin high. If the device is operated in two-wire mode the CSB pin is not available. In that case, setting the burst_end address determines the end of the transfer. During a write operation, you must be cautious to transmit the correct number of bytes based on the starting and ending addresses.

| Bit Number | Bit Name | Description |
|------------|-------------------|--|
| 7:0 | Burst End Address | This register value determines the ending address of the burst data. |

5.3 Device Information

5.3.1 Address 0x08: CHIP_ID

5.3.2 Address 0x09: CHIP_VERSION

The generic die identifier and a revision number, respectively, can be read from these two registers.

5.4 Indexed Device Configuration/Control

5.4.1 Address 0x10: DEVICE_INDEX_A

A common SPI map, which can accommodate single-channel or multi-channel devices, is used for all the ADC products. Certain configuration commands (identified as Indexed in the SPI map) can be executed on a per-converter basis. This register determines which converter is being addressed for an Indexed command. It is important to note that only a single converter can be addressed at a time.

This register defaults to 00h, indicating that no ADC is addressed. Error code 'AD' is returned if any indexed register is read from without properly setting device_index_A.

5.4.2 Address 0x20: OFFSET_COARSE

5.4.3 Address 0x21: OFFSET_FINE

The input offset of each ADC core can be adjusted in fine and coarse steps. Both adjustments are made using an 8-bit word as detailed in [Table 8](#).

The default value of each register is the result of the self-calibration after initial power-up. If a register is to be incremented or decremented, you should first read the register value then write the incremented or decremented value back to the same register.

Table 8. Offset Adjustments

| Parameter | 0x20[7:0] | 0x21[7:0] |
|--------------------|-------------------|--------------------|
| | Coarse Offset | Fine Offset |
| Steps | 255 | 255 |
| -Full-Scale (0x00) | -133 LSB (-47mV) | -5 LSB (-1.75mV) |
| Mid-Scale (0x80) | 0.0 LSB (0.0mV) | 0.0 LSB |
| +Full-Scale (0xFF) | +133 LSB (+47mV) | +5 LSB (+1.75mV) |
| Nominal Step Size | 1.04 LSB (0.37mV) | 0.04 LSB (0.014mV) |

5.4.4 Address 0x22: GAIN_COARSE

5.4.5 Address 0x23: GAIN_MEDIUM

5.4.6 Address 0x24: GAIN_FINE

Gain of each ADC core can be adjusted in coarse, medium and fine steps. Coarse gain is a 4-bit adjustment while medium and fine are 8-bit. Multiple Coarse Gain Bits can be set for a total adjustment range of $\pm 4.2\%$ ('0011' = $\sim -4.2\%$ and '1100' = $\sim +4.2\%$). Renesas recommends using one of the coarse gain settings (-4.2% , -2.8% , -1.4% , 0 , 1.4% , 2.8% , 4.2%) and fine-tuning the gain using the registers at 23h and 24h.

The default value of each register is the result of the self-calibration after initial power-up. If a register is incremented or decremented, you should first read the register value then write the incremented or decremented value back to the same register.

Table 9. Coarse Gain Adjustment

| 0x22[3:0] | Nominal Coarse Gain Adjust (%) |
|-----------|--------------------------------|
| Bit 3 | +2.8 |
| Bit 2 | +1.4 |
| Bit 1 | -2.8 |
| Bit 0 | -1.4 |

Table 10. Medium and Fine Gain Adjustments

| Parameter | 0x23[7:0] | 0x24[7:0] |
|---------------------|-------------|-----------|
| | Medium Gain | Fine Gain |
| Steps | 256 | 256 |
| -Full-Scale (0x00) | -2% | -0.20% |
| Mid-Scale (0x80) | 0.00% | 0.00% |
| +Full -Scale (0xFF) | +2% | +0.2% |
| Nominal Step Size | 0.016% | 0.0016% |

5.4.7 Address 0x25: Modes

Two distinct reduced power modes can be selected. By default, the tri-level NAPSLP pin can select normal operation, nap or sleep modes (see “[Nap/Sleep](#)” on page 24). This functionality can be overridden and controlled through the SPI. This is an indexed function when controlled from the SPI, but a global function when driven from the pin. This register is not changed by a soft reset.

Table 11. Power-Down Control

| Value | 0x25[2:0] |
|-------|------------------|
| | Power-Down Mode |
| 000 | Pin Control |
| 001 | Normal Operation |
| 010 | Nap Mode |
| 100 | Sleep Mode |

5.5 Global Device Configuration/Control

5.5.1 Address 0x71: PHASE_SLIP

When using the clock divider, it is not possible to determine the synchronization of the incoming and divided clock phases. This is particularly important when multiple ADCs are used in a time-interleaved system. The phase slip feature allows the rising edge of the divided clock to be advanced by one input clock cycle when in CLK/4 mode, as shown in [Figure 42](#). Execute a PHASE_SLIP command by first writing a ‘0’ to Bit 0 at address 71h followed by writing a ‘1’ to Bit 0 at address 71h (32 SCLK cycles).

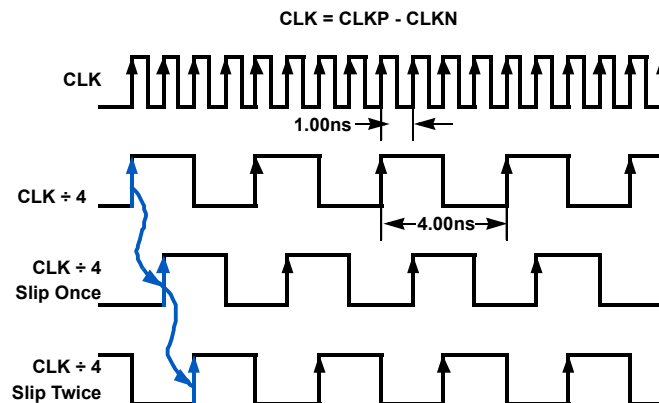


Figure 42. Phase Slip: CLK ÷4 Mode, f_{CLK} = 1000MHz

5.5.2 Address 0x72: CLOCK_DIVIDER

The KAD5514P has a selectable clock divider that can be set to divide by four, two, or one (no division). By default, the tri-level CLKDIV pin selects the divisor (see [“Clock Input” on page 22](#)). This functionality can be overridden and controlled through the SPI, as shown in [Table 12](#). This register is not changed by a soft reset.

Table 12. Clock Divider Selection

| Value | 0x72[2:0] |
|-------|---------------|
| | Clock Divider |
| 000 | Pin Control |
| 001 | Divide by 1 |
| 010 | Divide by 2 |
| 100 | Divide by 4 |

5.5.3 Address 0x73: OUTPUT_MODE_A

The OUTPUT_MODE_A register controls the physical output format of the data and the logical coding. The KAD5514P can present output data in two physical formats: LVDS or LVCMOS. Additionally, the drive strength in LVDS mode can be set high (3mA) or low (2mA). By default, the tri-level OUTMODE pin selects the mode and drive level (see [“Digital Outputs” on page 23](#)). This functionality can be overridden and controlled through the SPI, as shown in [Table 13](#).

Table 13. Output Mode Control

| Value | 0x93[7:5] |
|-------|-------------|
| | Output Mode |
| 000 | Pin Control |
| 001 | LVDS 2mA |
| 010 | LVDS 3mA |
| 100 | LVCMOS |

Data can be coded in three possible formats: two’s complement, Gray code, or offset binary. By default, the tri-level UTFMT pin selects the data format (see [“Data Format” on page 25](#)). This functionality can be overridden and controlled through the SPI, as shown in [Table 14](#).

This register is not changed by a soft reset.

Table 14. Output Format Control

| Value | 0x93[2:0] |
|-------|------------------|
| | Output Format |
| 000 | Pin Control |
| 001 | Two’s Complement |
| 010 | Gray Code |
| 100 | Offset Binary |

5.5.4 Address 0x74: OUTPUT_MODE_B

5.5.5 Address 0x75: CONFIG_STATUS

| Bit Number | Bit Name | Description |
|------------|------------|---|
| 6 | DLL Range | Sets the DLL operating range to fast (default) or slow. |
| 4 | DDR Enable | Setting this bit enables Double Data Rate mode. |

Internal clock signals are generated by a Delay-Locked Loop (DLL), which has a finite operating range. [Table 15](#) shows the allowable sample rate ranges for the slow and fast settings.

Table 15. DLL Ranges

| DLL Range | Min | Max | Unit |
|-----------|-----|---------------------|------|
| Slow | 40 | 100 | MSPS |
| Fast | 80 | $f_{S \text{ MAX}}$ | MSPS |

The OUTPUT_MODE_B and CONFIG_STATUS registers are used in conjunction to enable DDR mode and select the frequency range of the DLL clock generator. The method of setting these options is different from the other registers.

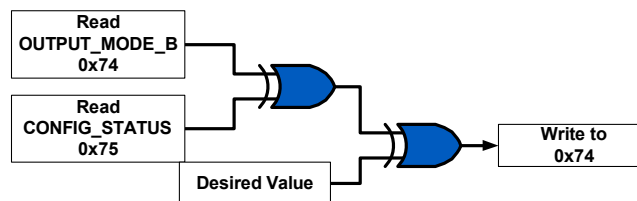


Figure 43. Setting OUTPUT_MODE_B Register

The procedure for setting OUTPUT_MODE_B is shown in [Figure 43](#). Read the contents of OUTPUT_MODE_B and CONFIG_STATUS and XOR them. Then XOR this result with the desired value for OUTPUT_MODE_B and write that XOR result to the register.

5.6 Device Test

The KAD5514P can produce preset or user defined patterns on the digital outputs to facilitate in-situ testing. A static word can be placed on the output bus, or two different words can alternate. In the alternate mode, the values defined as Word 1 and Word 2 (as shown in [Table 16](#)) are set on the output bus on alternating clock phases. The test mode is enabled asynchronously to the sample clock, therefore several sample clock cycles may elapse before the data is present on the output bus.

5.6.1 Address 0xC0: TEST_IO

| Bit Number | Bit Name | Description |
|------------|----------------|--|
| 7:6 | User Test Mode | These bits set the test mode to static (0x00) or alternate (0x01) mode. Other values are reserved. |

The four LSBs in this register (Output Test Mode) determine the test pattern in combination with registers 0xC2 through 0xC5. See [Table 17 on page 34](#).

Table 16. Output Test Modes

| Value | 0xC0[3:0] | Word 1 | Word 2 |
|-------|---------------------|--------|--------|
| | Output Test Mode | | |
| 0000 | Off | | |
| 0001 | Midscale | 0x8000 | N/A |
| 0010 | Positive Full-Scale | 0xFFFF | N/A |
| 0011 | Negative Full-Scale | 0x0000 | N/A |
| 0100 | Checkerboard | 0xAAAA | 0x5555 |
| 0101 | Reserved | N/A | N/A |
| 0110 | Reserved | N/A | N/A |
| 0111 | One/Zero | 0xFFFF | 0x0000 |

Table 16. Output Test Modes (Continued)

| Value | 0xC0[3:0] | Word 1 | Word 2 |
|-------|------------------|------------|------------|
| | Output Test Mode | | |
| 1000 | User Pattern | user_patt1 | user_patt2 |

5.6.2 Address 0xC2: USER_PATT1_LSB**5.6.3 Address 0xC3: USER_PATT1_MSB**

These registers define the lower and upper eight bits, respectively, of the first user-defined test word.

5.6.4 Address 0xC2: USER_PATT2_LSB**5.6.5 Address 0xC3: USER_PATT2_MSB**

These registers define the lower and upper eight bits, respectively, of the second user-defined test word.

5.7 SPI Memory Map**Table 17. SPI Memory Map**

| | Addr (Hex) | Parameter Name | Bit 7 (MSB) | Bit 6 | Bit 5 | Bit 4 | Bit 3 | Bit 2 | Bit 1 | Bit 0 (LSB) | Def. Value (Hex) | Indexed /Global | |
|-------------------------------|------------|----------------|-------------------------|-----------|------------|-------|-------------|----------------|---|----------------|------------------|-----------------------------------|---|
| SPI Config | 00 | port_config | SDO Active | LSB First | Soft Reset | | | Mirror (Bit 5) | Mirror (Bit 6) | Mirror (Bit 7) | 00h | G | |
| | 01 | reserved | Reserved | | | | | | | | | | |
| | 02 | burst_end | Burst end address [7:0] | | | | | | | | | 00h | G |
| | 03-07 | reserved | Reserved | | | | | | | | | | |
| Info | 08 | chip_id | Chip ID # | | | | | | | | | Read only | G |
| | 09 | chip_version | Chip Version # | | | | | | | | | Read only | G |
| Indexed Device Config/Control | 10 | device_index_A | Reserved | | | | | | ADC01 | ADC00 | | 00h | I |
| | 11-1F | reserved | Reserved | | | | | | | | | | |
| | 20 | offset_coarse | Coarse Offset | | | | | | | | | Cal. value | I |
| | 21 | offset_fine | Fine Offset | | | | | | | | | Cal. value | I |
| | 22 | gain_coarse | Reserved | | | | Coarse Gain | | | | Cal. value | I | |
| | 23 | gain_medium | Medium Gain | | | | | | | | | Cal. value | I |
| | 24 | gain_fine | Fine Gain | | | | | | | | | Cal. value | I |
| | 25 | modes | Reserved | | | | | | Power-Down Mode [2:0] 000 = Pin Control 001 = Normal Operation 010 = Nap 100 = Sleep Other Codes = Reserved | | | 00h NOT affected by soft reset | I |
| 26-5F | reserved | Reserved | | | | | | | | | | | |
| 60-6F | reserved | Reserved | | | | | | | | | | | |

Table 17. SPI Memory Map (Continued)

| | Addr (Hex) | Parameter Name | Bit 7 (MSB) | Bit 6 | Bit 5 | Bit 4 | Bit 3 | Bit 2 | Bit 1 | Bit 0 (LSB) | Def. Value (Hex) | Indexed /Global | | |
|------------------------------|------------|----------------|---|--|-------|---|-------|---|-------|-----------------|---|-----------------------------------|-----|---|
| Global Device Config/Control | 70 | reserved | Reserved | | | | | | | | | | | |
| | 71 | phase_slip | Reserved | | | | | | | Next Clock Edge | | 00h | G | |
| | 72 | clock_divide | | | | | | Clock Divide [2:0] 000 = Pin Control 001 = divide by 1 010 = divide by 2 100 = divide by 4 other codes = reserved | | | | 00h NOT affected by soft reset | G | |
| | 73 | output_mode_A | Output Mode [2:0] 000 = Pin Control 001 = LVDS 2mA 010 = LVDS 3mA 100 = LVCMOS other codes = reserved | | | | | Output Format [2:0] 000 = Pin Control 001 = Twos Complement 010 = Gray Code 100 = Offset Binary Other Codes = Reserved | | | | 00h NOT affected by soft reset | G | |
| | 74 | output_mode_B | | DLL Range 0 = fast 1 = slow | | DDR Enable (Note 14) | | | | | | 00h NOT affected by soft reset | G | |
| | 75 | config_status | | XOR Result | | XOR Result | | | | | | Read only | G | |
| | 76-BF | reserved | Reserved | | | | | | | | | | | |
| Device Test | C0 | test_io | User Test Mode [1:0] 00 = Single 01 = Alternate 10 = Reserved 11 = Reserved | | | | | Output Test Mode [3:0] 0 = Off 1 = Midscale Short 2 = +FS Short 3 = -FS Short 4 = Checker Board 5 = Reserved 6 = Reserved | | | 7 = One/Zero Word Toggle 8 = User Input 9-15 = Reserved | | 00h | G |
| | C1 | Reserved | Reserved | | | | | | | | | | 00h | G |
| | C2 | user_patt1_lsb | B7 | B6 | B5 | B4 | B3 | B2 | B1 | B0 | | 00h | G | |
| | C3 | user_patt1_msb | B15 | B14 | B13 | B12 | B11 | B10 | B9 | B8 | | 00h | G | |
| | C4 | user_patt2_lsb | B7 | B6 | B5 | B4 | B3 | B2 | B1 | B0 | | 00h | G | |
| | C5 | user_patt2_msb | B15 | B14 | B13 | B12 | B11 | B10 | B9 | B8 | | 00h | G | |
| | C6-FF | reserved | Reserved | | | | | | | | | | | |

Note:

14. At power-up, the DDR enable bit is at a logic '0' for the 72 Ld package and set to a logic '1' internally for the 48 Ld package by an internal pull-up.

6. Equivalent Circuits

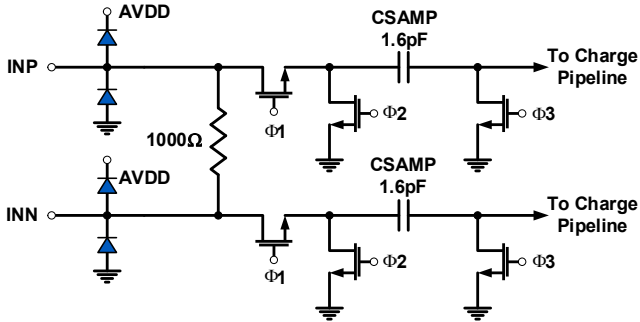


Figure 44. Analog Inputs

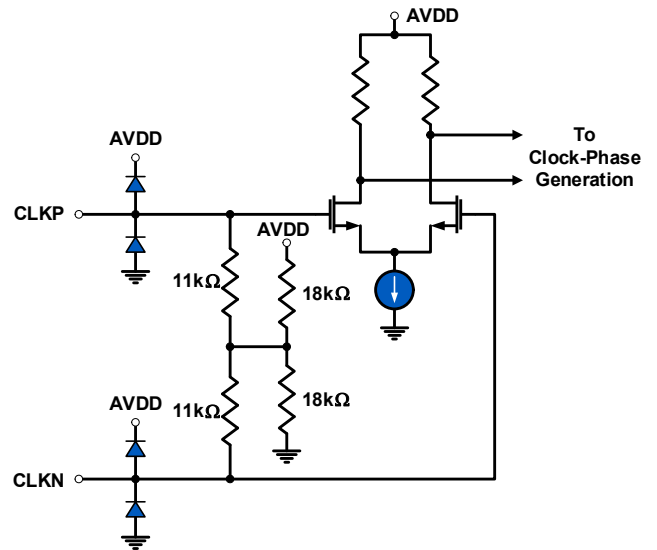


Figure 45. Clock Inputs

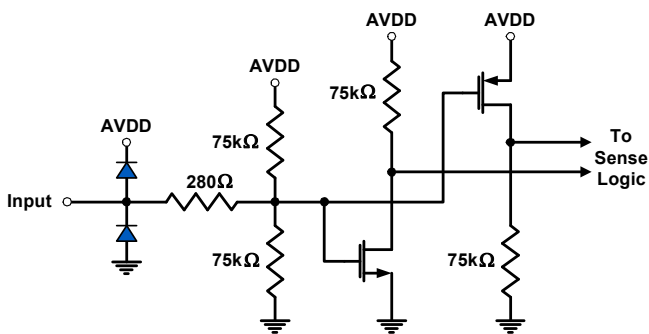


Figure 46. Tri-Level Digital Inputs

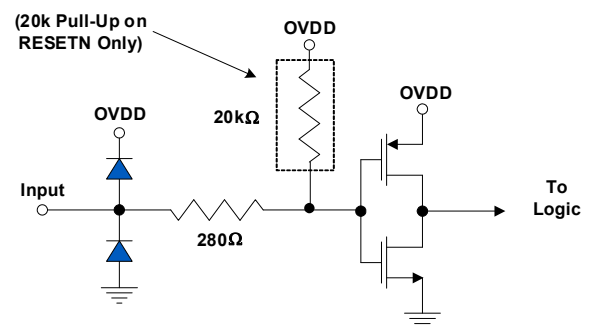


Figure 47. Digital Inputs

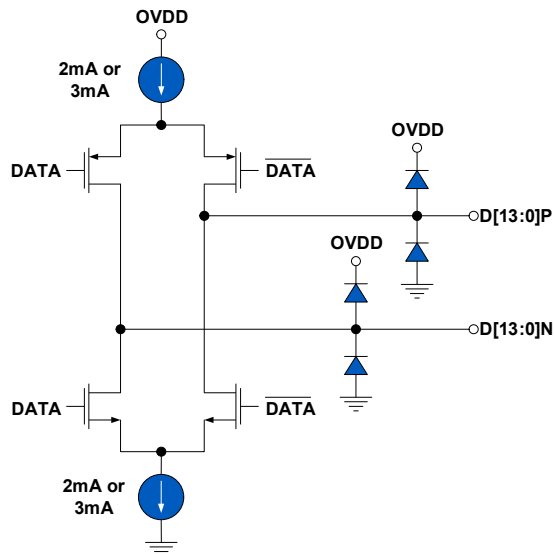


Figure 48. LVDS Outputs

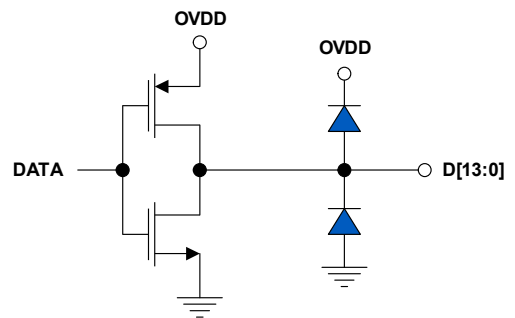


Figure 49. CMOS Outputs

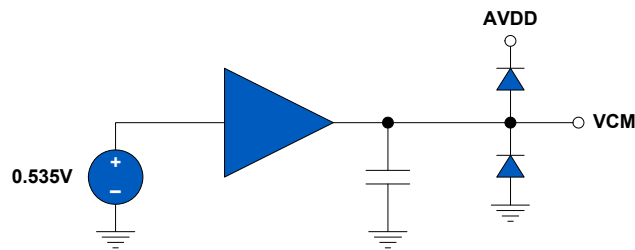


Figure 50. VCM_OUT Output

7. Layout Considerations

7.1 Split Ground and Power Planes

Data converters operating at high sampling frequencies require extra care in PC board layout. Many complex board designs benefit from isolating the analog and digital sections. Analog supply and ground planes should be laid out under signal and clock inputs. Place the digital planes under outputs and logic pins. Grounds should be joined under the chip.

7.2 Clock Input Considerations

Use matched transmission lines to the transformer inputs for the analog input and clock signals. Place transformers and terminations as close to the chip as possible.

7.3 Exposed Paddle

The exposed paddle must be electrically connected to analog ground (AVSS) and should be connected to a large copper plane using numerous vias for optimal thermal performance.

7.4 Bypass and Filtering

Bulk capacitors should have low equivalent series resistance. Tantalum is a good choice. For best performance, keep ceramic bypass capacitors very close to device pins. Longer traces increase inductance and decrease dynamic performance and accuracy. Make sure that connections to ground are direct and low impedance. Avoid forming ground loops.

7.5 LVDS Outputs

Output traces and connections must be designed for 50Ω (100Ω differential) characteristic impedance. Keep traces direct and minimize bends where possible. Avoid crossing ground and power-plane breaks with signal traces.

7.6 LVCMOS Outputs

Output traces and connections must be designed for 50Ω characteristic impedance.

7.7 Unused Inputs

Standard logic inputs (RESETN, CSB, SCLK, SDIO, SDO) that are not operated do not require connection to ensure optimal ADC performance. These inputs can be left floating if they are not used. Tri-level inputs (NAPSLP, OUTMODE, OUTFMT, CLKDIV) accept a floating input as a valid state and therefore should be biased according to their functionality.

7.8 72 Ld/48 Ld Package Options

The KAD5514 is available in both 72 Ld and 48 Ld packages. The 48 Ld package option supports LVDS DDR only. A reduced set of pin selectable functions are available in the 48 Ld package due to the reduced pinout; (OUTMODE, OUTFMT and CLKDIV pins are not available). [Table 18](#) shows the default state for these functions for the 48 Ld package. Note that these functions are available through the SPI, allowing you to set these modes and offer the same flexibility as the 72 Ld package option. DC and AC performance of the ADC is equivalent for both package options.

Table 18. 48 Ld SPI - Addressable Functions

| Function | Description | Default State |
|----------|--------------------|------------------|
| CLKDIV | Clock Divider | Divide by 1 |
| OUTMODE | Output Driver Mode | LVDS, 3mA (DDR) |
| OUTFMT | Data Coding | Two's Complement |

8. ADC Evaluation Platform

Renesas offers an ADC Evaluation platform which can evaluate any of the KADxxxxx ADC family. The platform consists of a FPGA based data capture motherboard and a family of ADC daughtercards. This USB based platform allows you to quickly evaluate the ADC's performance at a user's specific application frequency requirements. More information is available on our [website](#).

9. Definitions

Analog Input Bandwidth is the analog input frequency at which the spectral output power at the fundamental frequency (as determined by FFT analysis) is reduced by 3dB from its full-scale low-frequency value. This is also referred to as Full Power Bandwidth.

Aperture Delay or Sampling Delay is the time required after the rise of the clock input for the sampling switch to open, at which time the signal is held for conversion.

Aperture Jitter is the RMS variation in aperture delay for a set of samples.

Clock Duty Cycle is the ratio of the time the clock wave is at logic high to the total time of one clock period.

Differential Nonlinearity (DNL) is the deviation of any code width from an ideal 1 LSB step.

Effective Number of Bits (ENOB) is an alternate method of specifying Signal to Noise and Distortion Ratio (SINAD). In dB, it is calculated as: $ENOB = (SINAD - 1.76)/6.02$.

Gain Error is the ratio of the difference between the voltages that cause the lowest and highest code transitions to the full-scale voltage less 2 LSB. It is typically expressed in percent.

Integral Nonlinearity (INL) is the maximum deviation of the ADC's transfer function from a best fit line determined by a least squares curve fit of that transfer function, measured in units of LSBs.

Least Significant Bit (LSB) is the bit that has the smallest value or weight in a digital word. Its value in terms of input voltage is $V_{FS}/(2^N - 1)$ where N is the resolution in bits.

Missing Codes are output codes that are skipped and never appear at the ADC output. These codes cannot be reached with any input value.

Most Significant Bit (MSB) is the bit that has the largest value or weight.

Pipeline Delay is the number of clock cycles between the initiation of a conversion and the appearance at the output pins of the data.

Power Supply Rejection Ratio (PSRR) is the ratio of the observed magnitude of a spur in the ADC FFT, caused by an AC signal superimposed on the power supply voltage.

Signal to Noise and Distortion (SINAD) is the ratio of the RMS signal amplitude to the RMS sum of all other spectral components below one half the clock frequency, including harmonics but excluding DC.

Signal-to-Noise Ratio (without Harmonics) is the ratio of the RMS signal amplitude to the RMS sum of all other spectral components below one-half the sampling frequency, excluding harmonics and DC.

SNR and SINAD are either given in units of dB when the power of the fundamental is used as the reference, or dBFS (dB to full-scale) when the converter's full-scale input power is used as the reference.

Spurious Free Dynamic Range (SFDR) is the ratio of the RMS signal amplitude to the RMS value of the largest spurious spectral component. The largest spurious spectral component may or may not be a harmonic.

10. Revision History

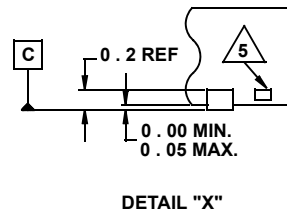
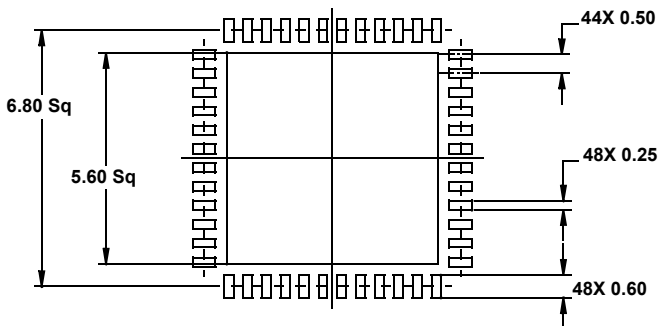
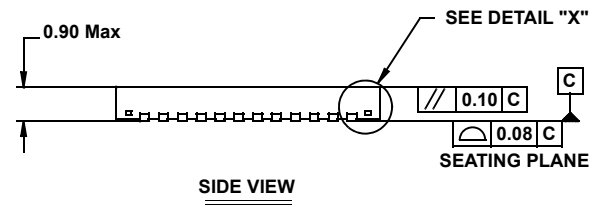
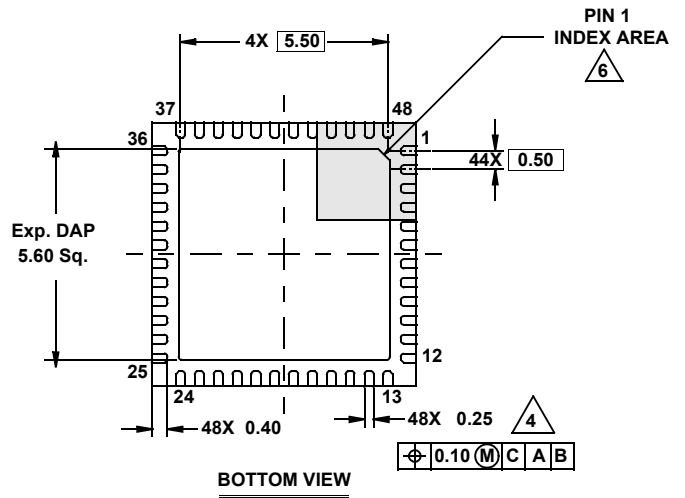
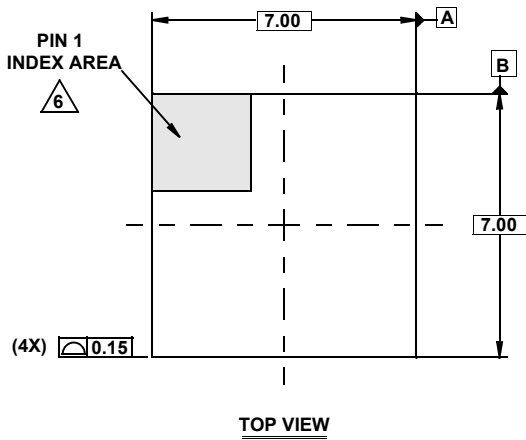
The revision history provided is for informational purposes only and is believed to be accurate, but not warranted. Please go to the web to make sure that you have the latest revision.

| Date | Revision | Change |
|-----------|----------|---|
| Jul.17.19 | 4.00 | Applied new formatting throughout. Added Related Literature section. Updated links throughout. Changed Minimum "Signal to Noise Ratio", "SNR", "FIN 105MHZ" value from 66.9 to 66.4. Changed Minimum "Signal to Noise Distortion", "SINAD", "FIN 105MHZ" value from 66.4 to 65.9. Removed About Intersil section. |
| May.31.16 | 3.00 | -Updated entire datasheet applying Intersil's new standards. -Updated the maximum "Electrical Specifications" for the following: -I _{AVDD} (KAD5514P-25): 180 to 190 (KAD5514P-21): 166 to 176 (KAD5514P-17): 153 to 163 (KAD5514P-14): 137 to 147. -NAP Mode (KAD5514P-25): 163 to 170.2 (KAD5514P-21): 157 to 164.2 (KAD5514P-17): 151 to 158.2 (KAD5512P-14): 143 to 150.2. -Updated 163 to 170.2 in "Nap/Sleep" on page 24. -Replaced Products section with About Intersil section. |
| Aug.24.09 | 2.00 | 1) Added nap mode, sleep mode wake up times to spec table 2) Added CSB,SCLK Setup time specs for nap, sleep modes 3) Added section showing 72 Ld/48 Ld package feature differences and default state for clkdiv,outmode,outfmt page 38 4) Changed SPI setup time specs wording in spec table 5) Added 'Reserved' to SPI memory map at address 25H 6) Renumbered Notes 7) Added test platform link on page 39 8) Added ddr enable note14 for 48 Ld/72 Ld options 9) Changed pin description table for 72/48 Ld option, added DDR notes 10) changed multi device note in spi physical interface section to show 3-wire application.page 27 11) Update digital output section for ddr operation page 23 12) change to fig26and fig27 and description in text 13) Added connect note for thermal pad 14) Formatted Figures 25 and 26 with Intersil Standards, 15) Change to SPI interface section in spec table, timing in cycles now, added write, read specific timing specs. 16) Updated SPI timing diagrams, Figures 37, 38 17) Updated wakeup time description in "Nap/Sleep" on page 24. 18) Removed calibration note in spec table 19) Changed label in fig 46 20) Updated cal paragraph in user initiated reset section per DC. -Changed tDHR spec needs from 1.5 to 3 cycles. -Moved 20k ohm label in fig 46 closer to resistor connected to ovdd |
| Feb.25.09 | 1.00 | Corrected 48 QFN pin description table on page 11 to show OVDD pins from "20, 27" to "20, 37". Changed "odd" bits N in Figure 1A - DDR to "even" bits N, Replaced POD L48.7x7E due to changed dimension from "9.80 sq" to "6.80" sq. in land pattern. |
| Jan.15.09 | 0.00 | P1; revised Key Specs P2; added Part Marking column to Order Info P4; moved Thermal Resistance to Thermal Info table and added Theta JA note 3 per packaging P4-8; revisions throughout spec tables. Added notes 9 and 10 to Switching Specs. P9; revised function for Pin 22 OUTMODE, Pin 23 NAPSLP and Pin 16 CLKDIV P11; revised function for Pin 16 NAPSLP P13-15; Added Typical Performance curves P17; added Figs 25-26 P17; User Initiated Reset - revised 2nd sentence of 1st paragraph P18; Serial Peripheral Interface- 1st paragraph; revised 4th sentence P19; revised Nap/Sleep; revised 3rd sentence of 1st paragraph P21; Serial Peripheral Interface- added 3rd sentence to 4th paragraph P23; Address 0x24: Gain_Fine; added 2 sentences to end of 1st paragraph. Revised Table 8 P24; removed Figure (PHASE SLIP: CLK+2 MODE, fCLOCK = 500MHz) Address 0x71: Phase_slip; added sentence to end of paragraph P27; Changed AVDD to OVDD in Fig 46 P27; revised Fig 45 P27; Table 16; revised Bits7:4, Addr C0 Throughout; formatted graphics to Intersil standards |

11. Package Outline Drawings

For the most recent package outline drawing, see [L48.7x7E](#).

L48.7x7E
 48 LEAD QUAD FLAT NO-LEAD PLASTIC PACKAGE
 Rev 1, 2/09

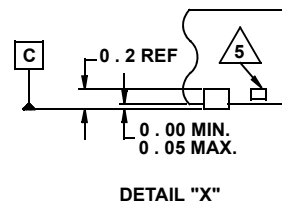
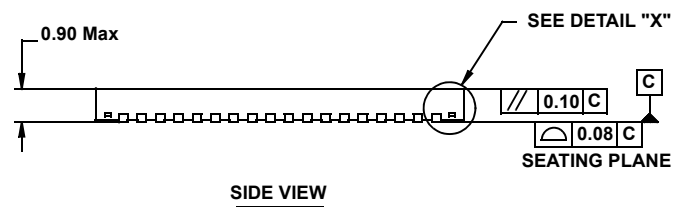
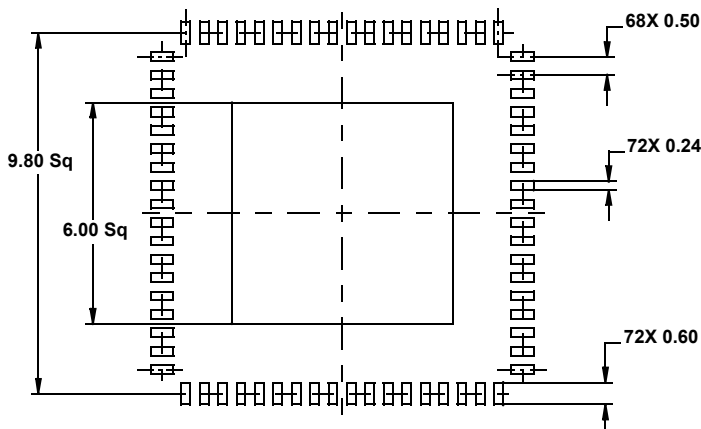
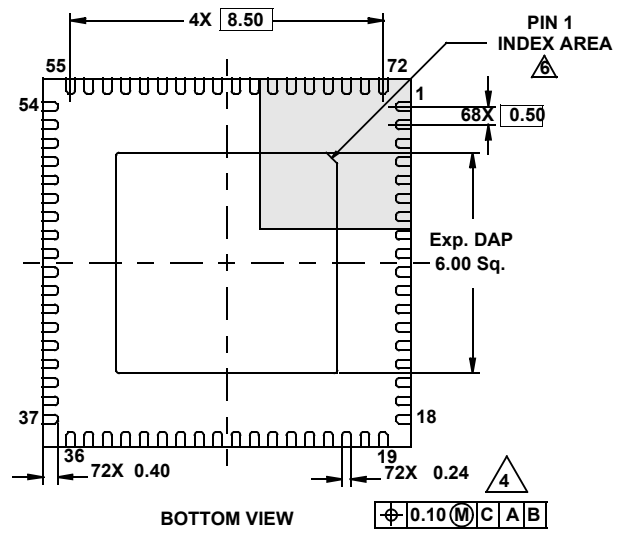
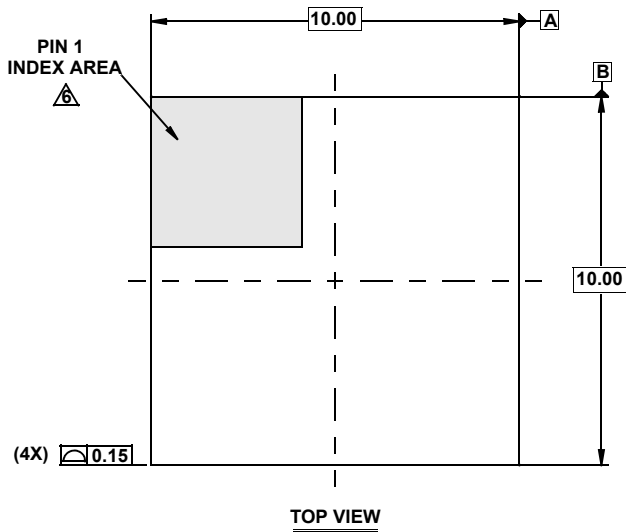


NOTES:

1. Dimensions are in millimeters.
 Dimensions in () for Reference Only.
2. Dimensioning and tolerancing conform to AMSEY14.5m-1994.
3. Unless otherwise specified, tolerance: Decimal ± 0.05
4. Dimension b applies to the metallized terminal and is measured between 0.15mm and 0.30mm from the terminal tip.
5. Tiebar shown (if present) is a non-functional feature.
6. The configuration of the pin #1 identifier is optional, but must be located within the zone indicated. The pin #1 identifier may be either a mold or mark feature.

L72.10x10D
 72 LEAD QUAD FLAT NO-LEAD PLASTIC PACKAGE
 Rev 1, 11/08

For the most recent package outline drawing, see [L72.10x10D](#).



NOTES:

1. Dimensions are in millimeters.
Dimensions in () for Reference Only.
2. Dimensioning and tolerancing conform to AMSEY14.5m-1994.
3. Unless otherwise specified, tolerance: Decimal ± 0.05
4. Dimension b applies to the metallized terminal and is measured between 0.15mm and 0.30mm from the terminal tip.
5. Tiebar shown (if present) is a non-functional feature.
6. The configuration of the pin #1 identifier is optional, but must be located within the zone indicated. The pin #1 identifier may be either a mold or mark feature.

Notice

1. Descriptions of circuits, software and other related information in this document are provided only to illustrate the operation of semiconductor products and application examples. You are fully responsible for the incorporation or any other use of the circuits, software, and information in the design of your product or system. Renesas Electronics disclaims any and all liability for any losses and damages incurred by you or third parties arising from the use of these circuits, software, or information.
2. Renesas Electronics hereby expressly disclaims any warranties against and liability for infringement or any other claims involving patents, copyrights, or other intellectual property rights of third parties, by or arising from the use of Renesas Electronics products or technical information described in this document, including but not limited to, the product data, drawings, charts, programs, algorithms, and application examples.
3. No license, express, implied or otherwise, is granted hereby under any patents, copyrights or other intellectual property rights of Renesas Electronics or others.
4. You shall not alter, modify, copy, or reverse engineer any Renesas Electronics product, whether in whole or in part. Renesas Electronics disclaims any and all liability for any losses or damages incurred by you or third parties arising from such alteration, modification, copying or reverse engineering.
5. Renesas Electronics products are classified according to the following two quality grades: "Standard" and "High Quality". The intended applications for each Renesas Electronics product depends on the product's quality grade, as indicated below.
 - "Standard": Computers; office equipment; communications equipment; test and measurement equipment; audio and visual equipment; home electronic appliances; machine tools; personal electronic equipment; industrial robots; etc.
 - "High Quality": Transportation equipment (automobiles, trains, ships, etc.); traffic control (traffic lights); large-scale communication equipment; key financial terminal systems; safety control equipment; etc.Unless expressly designated as a high reliability product or a product for harsh environments in a Renesas Electronics data sheet or other Renesas Electronics document, Renesas Electronics products are not intended or authorized for use in products or systems that may pose a direct threat to human life or bodily injury (artificial life support devices or systems; surgical implantations; etc.), or may cause serious property damage (space system; undersea repeaters; nuclear power control systems; aircraft control systems; key plant systems; military equipment; etc.). Renesas Electronics disclaims any and all liability for any damages or losses incurred by you or any third parties arising from the use of any Renesas Electronics product that is inconsistent with any Renesas Electronics data sheet, user's manual or other Renesas Electronics document.
6. When using Renesas Electronics products, refer to the latest product information (data sheets, user's manuals, application notes, "General Notes for Handling and Using Semiconductor Devices" in the reliability handbook, etc.), and ensure that usage conditions are within the ranges specified by Renesas Electronics with respect to maximum ratings, operating power supply voltage range, heat dissipation characteristics, installation, etc. Renesas Electronics disclaims any and all liability for any malfunctions, failure or accident arising out of the use of Renesas Electronics products outside of such specified ranges.
7. Although Renesas Electronics endeavors to improve the quality and reliability of Renesas Electronics products, semiconductor products have specific characteristics, such as the occurrence of failure at a certain rate and malfunctions under certain use conditions. Unless designated as a high reliability product or a product for harsh environments in a Renesas Electronics data sheet or other Renesas Electronics document, Renesas Electronics products are not subject to radiation resistance design. You are responsible for implementing safety measures to guard against the possibility of bodily injury, injury or damage caused by fire, and/or danger to the public in the event of a failure or malfunction of Renesas Electronics products, such as safety design for hardware and software, including but not limited to redundancy, fire control and malfunction prevention, appropriate treatment for aging degradation or any other appropriate measures. Because the evaluation of microcomputer software alone is very difficult and impractical, you are responsible for evaluating the safety of the final products or systems manufactured by you.
8. Please contact a Renesas Electronics sales office for details as to environmental matters such as the environmental compatibility of each Renesas Electronics product. You are responsible for carefully and sufficiently investigating applicable laws and regulations that regulate the inclusion or use of controlled substances, including without limitation, the EU RoHS Directive, and using Renesas Electronics products in compliance with all these applicable laws and regulations. Renesas Electronics disclaims any and all liability for damages or losses occurring as a result of your noncompliance with applicable laws and regulations.
9. Renesas Electronics products and technologies shall not be used for or incorporated into any products or systems whose manufacture, use, or sale is prohibited under any applicable domestic or foreign laws or regulations. You shall comply with any applicable export control laws and regulations promulgated and administered by the governments of any countries asserting jurisdiction over the parties or transactions.
10. It is the responsibility of the buyer or distributor of Renesas Electronics products, or any other party who distributes, disposes of, or otherwise sells or transfers the product to a third party, to notify such third party in advance of the contents and conditions set forth in this document.
11. This document shall not be reprinted, reproduced or duplicated in any form, in whole or in part, without prior written consent of Renesas Electronics.
12. Please contact a Renesas Electronics sales office if you have any questions regarding the information contained in this document or Renesas Electronics products.

(Note1) "Renesas Electronics" as used in this document means Renesas Electronics Corporation and also includes its directly or indirectly controlled subsidiaries.

(Note2) "Renesas Electronics product(s)" means any product developed or manufactured by or for Renesas Electronics.

(Rev.4.0-1 November 2017)

Corporate Headquarters

TOYOSU FORESIA, 3-2-24 Toyosu,
Koto-ku, Tokyo 135-0061, Japan
www.renesas.com

Contact Information

For further information on a product, technology, the most up-to-date version of a document, or your nearest sales office, please visit:
www.renesas.com/contact/

Trademarks

Renesas and the Renesas logo are trademarks of Renesas Electronics Corporation. All trademarks and registered trademarks are the property of their respective owners.