

ISL54224

High-Speed USB 2.0 (480Mbps) Multiplexer with Overvoltage Protection (OVP) and Overvoltage Indicator Output

FN6969

Rev 1.00

September 19, 2013

The ISL54224 is a single supply dual 2:1 multiplexer that can operate from a single 2.7V to 5.25V supply. It contains two SPDT (Single Pole/Double Throw) switches configured as a DPDT. The part was designed for switching of USB data signals in portable battery powered products.

The 6.5Ω switches were specifically designed to pass USB high speed/full speed data signals. They have high bandwidth and low capacitance to pass USB high speed data signals with minimal distortion.

The ISL54224 has OVP circuitry on the D-/D+ com pins that opens the USB in-line switches when the voltage at these pins exceeds 3.8V (typ) or goes negative by -0.5V (typ). It isolates fault voltages up to +5.25V or down to -5V from getting passed to the other-side of the switch, thereby protecting the USB transceivers.

The digital logic inputs are 1.8V logic compatible when operated with a 2.7V to 3.6V supply. The ISL54224 has an open drain OE/ALM pin that can be driven Low to open all switches and outputs a Low when the OVP circuitry is activated. It can be used to facilitate proper bus disconnect and connection when switching between the USB sources.

The ISL54224 is available in 10 Ld 1.8mmx1.4mm μTQFN and 10 Ld TDFN packages. It operates over a temperature range of -40°C to +85°C.

Related Literature

- See [AN1571](#) "ISL54224IRTZEVAL1Z Evaluation Board User's Manual"

Features

- High-speed (480Mbps) and full-speed (12Mbps) signaling capability per USB 2.0
- 1.8V logic compatible (2.7V to +3.6V supply)
- OE/ALM pin to open all switches and indicate overvoltage fault condition
- Power OFF protection
- D-/D+ pins overvoltage protection for +5.25V and -5V fault voltages
- -3dB frequency 780MHz
- Low ON capacitance @ 240MHz. 3.3pF
- Low ON-resistance 6.5Ω
- Single supply operation (V_{DD})..... 2.7V to 5.25V
- Available in μTQFN and TDFN packages
- Pb-free (RoHS compliant)
- Compliant with USB 2.0 short circuit and overvoltage requirements without additional external components

Applications

- MP3 and other personal media players
- Cellular/mobile phones
- PDA's
- Digital cameras and camcorders
- USB switching

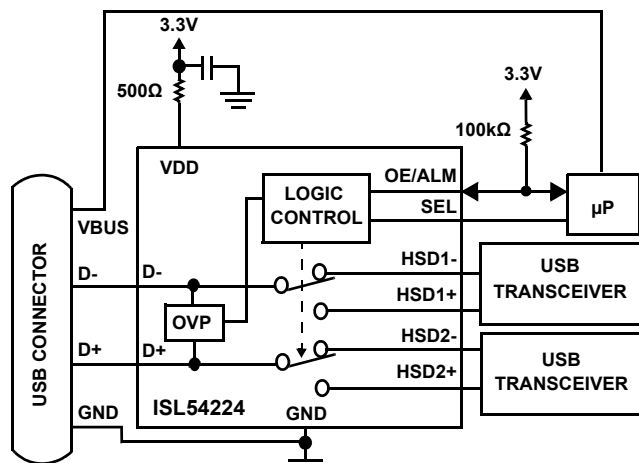


FIGURE 1. TYPICAL APPLICATION

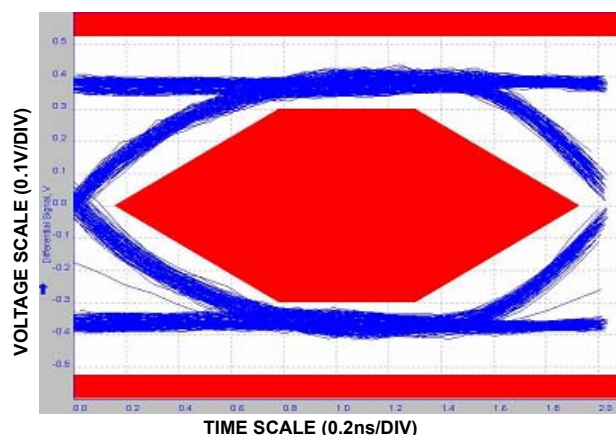
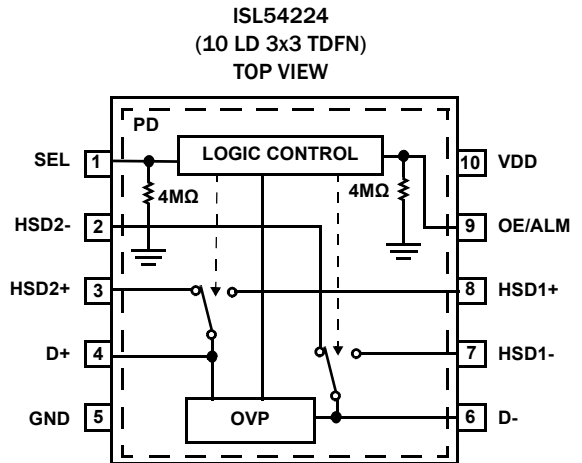
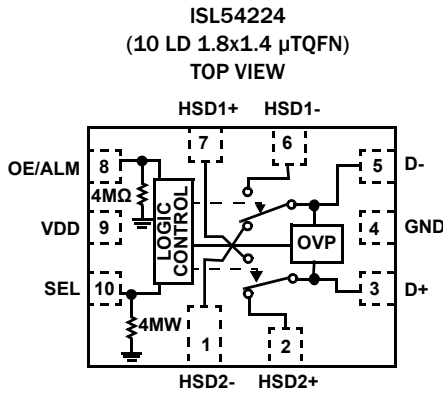


FIGURE 2. USB 2.0 HS EYE PATTERN WITH SWITCHES IN THE SIGNAL PATH

Pin Configuration



NOTE:

1. Switches Shown for SEL = Logic "1" and OE/ALM = Logic "1".

Truth Table

OE/ALM	SEL	HSD1-, HSD1+	HSD2-, HSD2+
0	X	OFF	OFF
1	0	ON	OFF
1	1	OFF	ON

Logic "0" when $\leq 0.5V$, Logic "1" when $\geq 1.4V$ with a 2.7V to 3.6V Supply.

Pin Descriptions

μ TQFN	TDFN	PIN NAME	DESCRIPTION
1	2	HSD2-	USB Data Port Channel 2
2	3	HSD2+	USB Data Port Channel 2
3	4	D+	USB Data COM Port
4	5	GND	Ground Connection
5	6	D-	USB Data COM Port
6	7	HSD1-	USB Data Port Channel 1
7	8	HSD1+	USB Data Port Channel 1
8	9	OE/ALM	Switch Enable/Alarm (open drain connection) Drive Low to Open All Switches Outputs Low when OVP is Activated
9	10	VDD	Power Supply
10	1	SEL	Select Logic Control Input
-	PD	PD	Thermal Pad. Tie to Ground or Float

TABLE 1. USB - OVP POSSIBLE SITUATIONS AND TRIP POINT VOLTAGE

CODEC SUPPLY	SWITCH SUPPLY (V_{DD})	COMs SHORTED TO	PROTECTED	TRIP POINT		OE/ALM
				MIN	MAX	
2.7V to 3.3V	2.7V to 5.25V	VBUS	Yes	3.63V	3.95V	Low
2.7V to 3.3V	2.7V to 5.25V	-5V	Yes	-0.76V	-0.29V	Low

Ordering Information

PART NUMBER (Notes 2, 5)	PART MARKING	TEMP. RANGE (°C)	PACKAGE (Pb-Free)	PKG. DWG. #
ISL54224IRUZ-T (Note 3)	T9	-40 to +85	10 Ld 1.8x1.4mm μ TQFN (Tape and Reel)	L10.1.8x1.4A
ISL54224IRUZ-T7A (Note 3)	T9	-40 to +85	10 Ld 1.8x1.4mm μ TQFN (Tape and Reel)	L10.1.8x1.4A
ISL54224IRTZ (Note 4)	4224	-40 to +85	10 Ld 3x3 TDFN	L10.3x3A
ISL54224IRTZ-T (Note 4)	4224	-40 to +85	10 Ld 3x3 TDFN (Tape and Reel)	L10.3x3A
ISL54224IRUEVAL1Z	Evaluation Board			

NOTES:

- Please refer to [TB347](#) for details on reel specifications.
- These Intersil Pb-free plastic packaged products employ special Pb-free material sets; molding compounds/die attach materials and NiPdAu plate - e4 termination finish, which is RoHS compliant and compatible with both SnPb and Pb-free soldering operations. Intersil Pb-free products are MSL classified at Pb-free peak reflow temperatures that meet or exceed the Pb-free requirements of IPC/JEDEC J STD-020.
- These Intersil Pb-free plastic packaged products employ special Pb-free material sets, molding compounds/die attach materials, and 100% matte tin plate plus anneal (e3 termination finish, which is RoHS compliant and compatible with both SnPb and Pb-free soldering operations). Intersil Pb-free products are MSL classified at Pb-free peak reflow temperatures that meet or exceed the Pb-free requirements of IPC/JEDEC J STD-020.
- For Moisture Sensitivity Level (MSL), please see device information page for [ISL54224](#). For more information on MSL please see techbrief [TB363](#).

Absolute Maximum Ratings

VDD to GND	-0.3 to 6.5V
VDD to Dx	10.5V
Dx to HSD1x, HSD2x	8.6V
Input Voltages	
HSD2x, HSD1x	-0.3V to 6.5V
SEL, OE/ALM	-0.3 to 6.5V
Output Voltages	
D+, D-	-5V to 6.5V
Continuous Current (HSD2x, HSD1x)	±40mA
Peak Current (HSD2x, HSD1x)	
(Pulsed 1ms, 10% Duty Cycle, Max)	±100mA
ESD Rating:	
Human Body Model	>5.5kV
Machine Model	>250V
Charged Device Model	>2kV
Latch-up Tested per JEDEC; Class II Level A	at 85°C

Thermal Information

Thermal Resistance (Typical)	θ_{JA} (°C/W)	θ_{JC} (°C/W)
10 Ld μ TQFN Package (Note 6, 7)	210	165
10 Ld TDFN Package (Notes 8, 9)	58	22
Maximum Junction Temperature (Plastic Package)	+150°C	
Maximum Storage Temperature Range	-65°C to +150°C	
Pb-Free Reflow Profile	see link below	
	http://www.intersil.com/pbfree/Pb-FreeReflow.asp	

Recommended Operating Conditions

Temperature Range	-40°C to +85°C
VDD Supply Voltage Range	2.7V to 5.25V
Logic Control Input Voltage	0V to 5.25V
Analogue Signal Range	
$V_{DD} = 2.7V$ to 5.25V	0V to 3.6V

CAUTION: Do not operate at or near the maximum ratings listed for extended periods of time. Exposure to such conditions may adversely impact product reliability and result in failures not covered by warranty.

NOTES:

- θ_{JA} is measured with the component mounted on a high effective thermal conductivity test board in free air. See Tech Brief [TB379](#) for details.
- For θ_{JC} , the "case temp" location is taken at the package top center.
- θ_{JA} is measured in free air with the component mounted on a high effective thermal conductivity test board with "direct attach" features. See Tech Brief [TB379](#).
- For θ_{JC} , the "case temp" location is the center of the exposed metal pad on the package underside.

Electrical Specifications - 2.7V to 5.25V Supply

Test Conditions: $V_{DD} = +3.3V$, $GND = 0V$, $V_{SELH} = 1.4V$, $V_{SELL} = 0.5V$, $V_{OE/ALMH} = 1.4V$, $V_{OE/ALML} = 0.5V$, (Note 10), Unless Otherwise Specified.

Boldface limits apply over the operating temperature range, -40°C to +85°C.

PARAMETER	TEST CONDITIONS	TEMP (°C)	MIN (Notes 11, 12)	TYP	MAX (Notes 11, 12)	UNITS
ANALOG SWITCH CHARACTERISTICS						
ON-Resistance, r_{ON} (High-Speed)	$V_{DD} = 2.7V$, $SEL = 0.5V$ or $1.4V$, $OE/ALM = 1.4V$, $I_{Dx} = 17mA$, V_{HSD1x} or $V_{HSD2x} = 0V$ to $400mV$ (see Figure 5, Note 15)	25	-	6.5	7	Ω
		Full	-	-	9	Ω
r_{ON} Matching Between Channels, Δr_{ON} (High-Speed)	$V_{DD} = 2.7V$, $SEL = 0.5V$ or $1.4V$, $OE/ALM = 1.4V$, $I_{Dx} = 17mA$, V_{HSD1x} or $V_{HSD2x} =$ Voltage at max r_{ON} , (Notes 14, 15)	25	-	0.2	0.45	Ω
		Full	-	-	0.5	Ω
r_{ON} Flatness, $R_{FLAT(ON)}$ (High-Speed)	$V_{DD} = 2.7V$, $SEL = 0.5V$ or $1.4V$, $OE/ALM = 1.4V$, $I_{Dx} = 17mA$, V_{HSD1x} or $V_{HSD2x} = 0V$ to $400mV$, (Notes 13, 15)	25	-	0.3	0.5	Ω
		Full	-	-	1	Ω
ON-Resistance, r_{ON}	$V_{DD} = 3.3V$, $SEL = 0.5V$ or $1.4V$, $OE/ALM = 1.4V$, $I_{COMx} = 17mA$, V_{D+} or $V_{D-} = 3.3V$ (See Figure 6, Note 15)	25	-	12	20	Ω
		Full	-	-	25	Ω
OFF Leakage Current, $I_{HSD1x(OFF)}$	$V_{DD} = 5.25V$, $SEL = V_{DD}$ and $OE/ALM = V_{DD}$ or $OE/ALM = 0V$, $V_{Dx} = 0.3V, 3.3V$, $V_{HSD1x} = 3.3V, 0.3V$, $V_{HSD2x} = 0.3V, 3.3V$	25	-20	1	20	nA
		Full	-30	-	30	nA
ON Leakage Current, $I_{HSD1x(ON)}$	$V_{DD} = 5.25V$, $SEL = 0V$, $OE/ALM = V_{DD}$, $V_{Dx} = 0.3V, 3.3V$, $V_{HSD1x} = 0.3V, 3.3V$, $V_{HSD2x} = 3.3V, 0.3V$	25	-	2	3	μA
		Full	-	-	4	μA
OFF Leakage Current, $I_{HSD2x(OFF)}$	$V_{DD} = 5.25V$, $SEL = 0V$ and $OE/ALM = V_{DD}$ or $OE/ALM = 0V$, $V_{Dx} = 3.3V, 0.3V$, $V_{HSD2x} = 0.3V, 3.3V$, $V_{HSD1x} = 3.3V, 0.3V$	25	-20	1	20	nA
		Full	-30	-	30	nA
ON Leakage Current, $I_{HSD2x(ON)}$	$V_{DD} = 5.25V$, $SEL = V_{DD}$, $OE/ALM = V_{DD}$, $V_{Dx} = 0.3V, 3.3V$, $V_{HSD2x} = 0.3V, 3.3V$, $V_{HSD1x} = 3.3V, 0.3V$	25	-	2	3	μA
		Full	-	-	4	μA
Power OFF Leakage Current, I_{D+}, I_{D-}	$V_{DD} = 0V$, $V_{D+} = 5.25V$, $V_{D-} = 5.25V$, $SEL = OE/ALM = V_{DD}$	25	-	5	13	μA
Power OFF Logic Current, $I_{SEL}, I_{OE/ALM}$	$V_{DD} = 0V$, $SEL = OE/ALM = 5.25V$	25	-	19	26	μA

Electrical Specifications - 2.7V to 5.25V Supply Test Conditions: $V_{DD} = +3.3V$, $GND = 0V$, $V_{SELH} = 1.4V$, $V_{SELL} = 0.5V$, $V_{OE/ALMH} = 1.4V$, $V_{OE/ALML} = 0.5V$, (Note 10), Unless Otherwise Specified.
Boldface limits apply over the operating temperature range, -40°C to +85°C. (Continued)

PARAMETER	TEST CONDITIONS	TEMP (°C)	MIN (Notes 11, 12)	TYP	MAX (Notes 11, 12)	UNITS
Power OFF D+/D- Current, I_{HSDX+} , I_{HSDX-}	$V_{DD} = 0V$, $SEL = OE/ALM = V_{DD}$, $V_{HSDX+} = V_{HSDX-} = 5.25V$	25	-	0.05	1	μA
OVERVOLTAGE PROTECTION DETECTION						
Positive Fault-Protection Trip Threshold, V_{PFP}	$V_{DD} = 2.7V$ to $5.25V$, $SEL = 0V$ or V_{DD} , $OE/ALM = V_{DD}$, see Table 1 on page 2	25	3.63	3.8	3.95	V
Negative Fault-Protection Trip Threshold, V_{NFP}	$V_{DD} = 2.7V$ to $5.25V$, $SEL = 0V$ or V_{DD} , $OE/ALM = V_{DD}$, see Table 1 on page 2	25	-0.76	-0.5	-0.29	V
OFF Persistence Time Fault Protection Response Time	Negative OVP Response: $V_{DD} = 2.7V$, $SEL = 0V$ or V_{DD} , $OE/ALM = V_{DD}$, $V_{Dx} = 0V$ to $-5V$, $R_L = 15k\Omega$	25	-	1	-	μs
	Positive OVP Response: $V_{DD} = 2.7V$, $SEL = 0V$ or V_{DD} , $OE/ALM = V_{DD}$, $V_{Dx} = 0V$ to $5.25V$, $R_L = 15k\Omega$	25	-	2	-	μs
ON Persistence Time Fault Protection Recovery Time	$V_{DD} = 2.7V$, $SEL = 0V$ or V_{DD} , $OE/ALM = V_{DD}$, $V_{Dx} = 0V$ to $5.25V$ or $0V$ to $-5V$, $R_L = 15k\Omega$	25	-	40	-	μs
DYNAMIC CHARACTERISTICS						
Turn-ON Time, t_{ON}	$V_{DD} = 3.3V$, $V_{input} = 3V$, $R_L = 50\Omega$, $C_L = 50pF$ (see Figure 3)	25	-	110	-	ns
Turn-OFF Time, t_{OFF}	$V_{DD} = 3.3V$, $V_{input} = 3V$, $R_L = 50\Omega$, $C_L = 50pF$ (see Figure 3)	25	-	70	-	ns
Break-Before-Make Time Delay, t_D	$V_{DD} = 3.3V$, $R_L = 50\Omega$, $C_L = 50pF$ (see Figure 4)	25	-	40	-	ns
Turn-ON Enable Time, t_{ENABLE}	$V_{DD} = 3.3V$, $V_{INPUT} = 3V$, $R_L = 15k\Omega$, $C_L = 50pF$, Time out of All-Off state	25	-	90	-	ns
Turn-OFF Disable Time, $t_{DISABLE}$	$V_{DD} = 3.3V$, $V_{INPUT} = 3V$, $R_L = 15k\Omega$, $C_L = 50pF$, Time into All-Off state, Time is highly dependent on the load (R_L , C_L) time constant.	25	-	120	-	ns
Skew, ($t_{SKEWOUT} - t_{SKEWIN}$)	$V_{DD} = 3.3V$, $SEL = 0V$ or $3.3V$, $OE/ALM = V_{DD}$, $R_L = 45\Omega$, $C_L = 10pF$, $t_R = t_F = 500ps$ at 480Mbps, (Duty Cycle = 50%) (see Figure 8)	25	-	50	-	ps
Rise/Fall Degradation (Propagation Delay), t_{PD}	$V_{DD} = 3.3V$, $SEL = 0V$ or $3.3V$, $OE/ALM = V_{DD}$, $R_L = 45\Omega$, $C_L = 10pF$ (see Figure 8)	25	-	250	-	ps
Crosstalk	$V_{DD} = 3.3V$, $R_L = 50\Omega$, $f = 240MHz$ (see Figure 7)	25	-	-32	-	dB
OFF-Isolation	$V_{DD} = 3.3V$, $R_L = 50\Omega$, $f = 240MHz$	25	-	-30	-	dB
-3dB Bandwidth	Signal = 0dBm, 0.2VDC offset, $R_L = 50\Omega$	25	-	780	-	MHz
OFF Capacitance, C_{HSxOFF}	$f = 1MHz$, $V_{DD} = 3.3V$, $SEL = 0V$ or $3.3V$, $OE/ALM = 0V$ (see Figure 6)	25	-	2.5	-	pF
COM ON Capacitance, $C_{DX(ON)}$	$f = 1MHz$, $V_{DD} = 3.3V$, $SEL = 0V$ or $3.3V$, $OE/ALM = V_{DD}$ (see Figure 6)	25	-	5.4	-	pF
COM ON Capacitance, $C_{DX(ON)}$	$f = 240MHz$, $V_{DD} = 3.3V$, $SEL = 0V$ or $3.3V$, $OE/ALM = V_{DD}$ (see Figure 6)	25	-	3.3	-	pF
POWER SUPPLY CHARACTERISTICS						
Power Supply Range, V_{DD}		Full	2.7		5.25	V
Positive Supply Current, I_{DD}	$V_{DD} = 5.25V$, $SEL = 0V$ or V_{DD} , $OE/ALM = V_{DD}$	25	-	45	58	μA
		Full	-	-	66	μA
Positive Supply Current, I_{DD}	$V_{DD} = 3.6V$, $SEL = 0V$ or V_{DD} , $OE/ALM = V_{DD}$	25	-	23	30	μA
		Full	-	-	35	μA
Positive Supply Current, I_{DD}	$V_{DD} = 3.6V$, $SEL = 0V$ or V_{DD} , $OE/ALM = 0V$	25	-	23	30	μA
		Full	-	-	35	μA
Positive Supply Current, I_{DD}	$V_{DD} = 4.3V$, $SEL = 2.6V$, $OE/ALM = 0V$ or $2.6V$	25	-	35	45	μA
		Full	-	-	52	μA

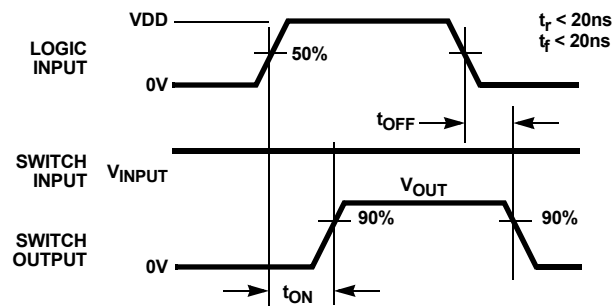
Electrical Specifications - 2.7V to 5.25V Supply Test Conditions: $V_{DD} = +3.3V$, $GND = 0V$, $V_{SELH} = 1.4V$, $V_{SELL} = 0.5V$, $V_{OE/ALMH} = 1.4V$, $V_{OE/ALML} = 0.5V$, (Note 10), Unless Otherwise Specified.
Boldface limits apply over the operating temperature range, -40°C to +85°C. (Continued)

PARAMETER	TEST CONDITIONS	TEMP (°C)	MIN (Notes 11, 12)	TYP	MAX (Notes 11, 12)	UNITS
Positive Supply Current, I_{DD}	$V_{DD} = 3.6V$, $SEL = 1.4V$, $OE/ALM = 0V$ or $1.4V$	25	-	25	32	μA
		Full	-	-	38	μA
DIGITAL INPUT CHARACTERISTICS						
Input Voltage Low, V_{SELL} , $V_{OE/ALML}$	$V_{DD} = 2.7V$ to $3.6V$	Full	-	-	0.5	V
Input Voltage High, V_{SELH} , $V_{OE/ALMH}$	$V_{DD} = 2.7V$ to $3.6V$	Full	1.4	-	5.25	V
Input Voltage Low, V_{SELL} , $V_{OE/ALML}$	$V_{DD} = 3.7V$ to $4.2V$	Full	-	-	0.7	V
Input Voltage High, V_{SELH} , $V_{OE/ALMH}$	$V_{DD} = 3.7V$ to 4.2	Full	1.7	-	-	V
Input Voltage Low, V_{SELL} , $V_{OE/ALML}$	$V_{DD} = 4.3V$ to $5.25V$	Full	-	-	0.8	V
Input Voltage High, V_{SELH} , $V_{OE/ALMH}$	$V_{DD} = 4.3V$ to $5.25V$	Full	2.0	-	-	V
Input Current, I_{SELL} , $I_{OE/ALML}$	$V_{DD} = 5.25V$, $SEL = 0V$, $OE/ALM = 0V$	Full	-	2	-	nA
Input Current, I_{SELH}	$V_{DD} = 5.25V$, $SEL = 5.25V$, $4M\Omega$ pull-down resistor	Full	-	1.4	-	μA
Input Current, $I_{OE/ALMH}$	$V_{DD} = 5.25V$, $OE/ALM = 5.25V$, $4M\Omega$ pull-down resistor	Full	-	1.4	-	μA

NOTES:

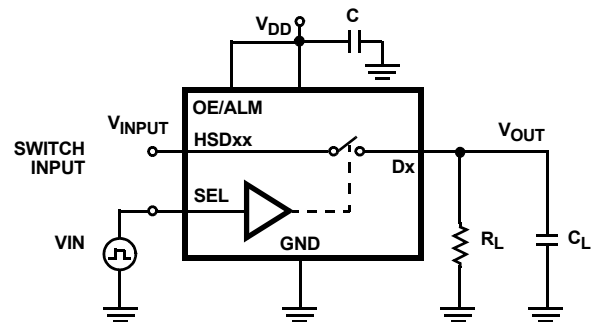
- V_{LOGIC} = Input voltage to perform proper function.
- The algebraic convention, whereby the most negative value is a minimum and the most positive a maximum, is used in this data sheet.
- Parameters with MIN and/or MAX limits are 100% tested at +25°C, unless otherwise specified. Temperature limits established by characterization and are not production tested
- Flatness is defined as the difference between maximum and minimum value of ON-resistance over the specified analog signal range
- r_{ON} matching between channels is calculated by subtracting the channel with the highest max r_{ON} value from the channel with lowest max r_{ON} value, between HSD2+ and HSD2- or between HSD1+ and HSD1-.
- Limits established by characterization and are not production tested.

Test Circuits and Waveforms



Logic input waveform is inverted for switches that have the opposite logic sense.

FIGURE 3A. MEASUREMENT POINTS



Repeat test for all switches. C_L includes fixture and stray capacitance.

$$V_{OUT} = V_{(INPUT)} \frac{R_L}{R_L + r_{ON}}$$

FIGURE 3B. TEST CIRCUIT

FIGURE 3. SWITCHING TIMES

Test Circuits and Waveforms (Continued)

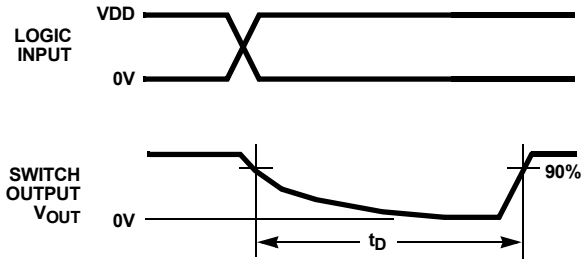
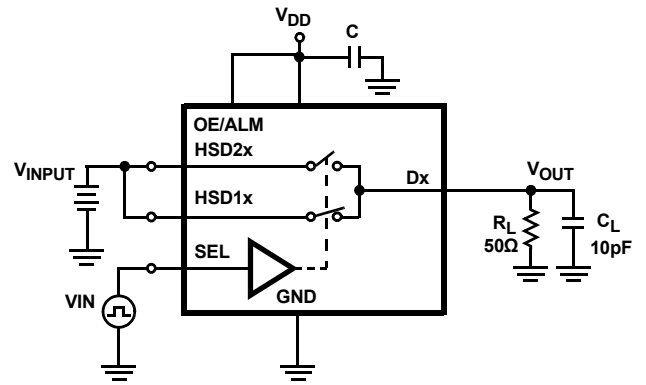


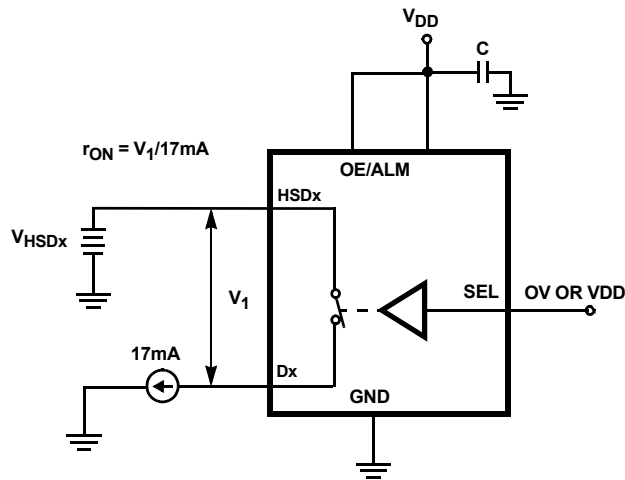
FIGURE 4A. MEASUREMENT POINTS



Repeat test for all switches. C_L includes fixture and stray capacitance.

FIGURE 4B. TEST CIRCUIT

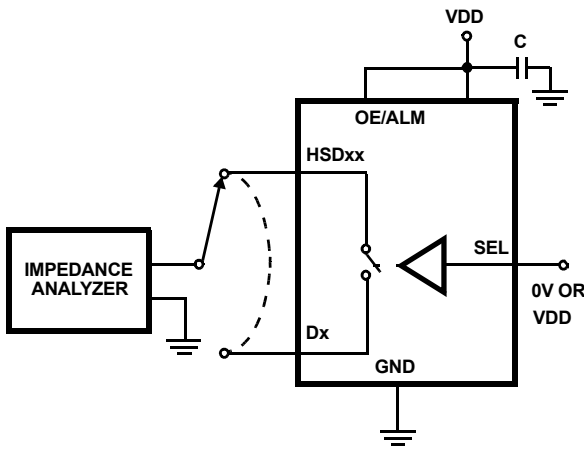
FIGURE 4. BREAK-BEFORE-MAKE TIME



Repeat test for all switches.

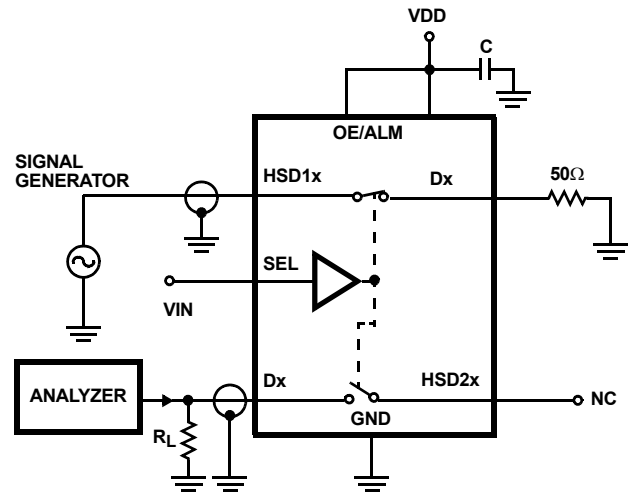
FIGURE 5. r_{ON} TEST CIRCUIT

Test Circuits and Waveforms (Continued)



Repeat test for all switches.

FIGURE 6. CAPACITANCE TEST CIRCUIT



Signal direction through switch is reversed.
Repeat test for all switches.

FIGURE 7. CROSSTALK TEST CIRCUIT

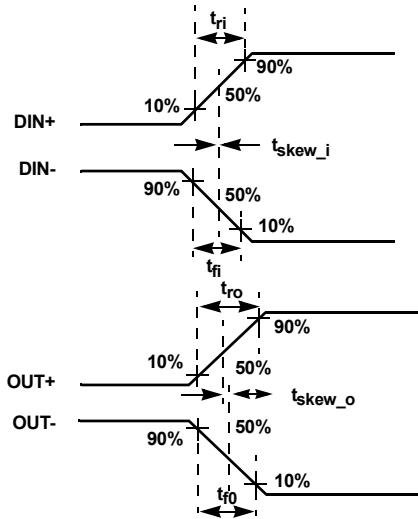
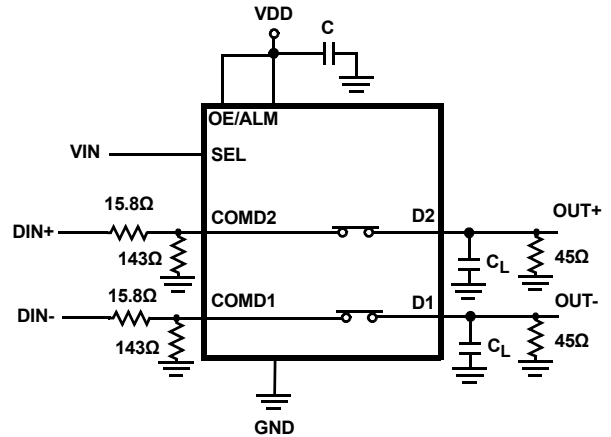


FIGURE 8A. MEASUREMENT POINTS

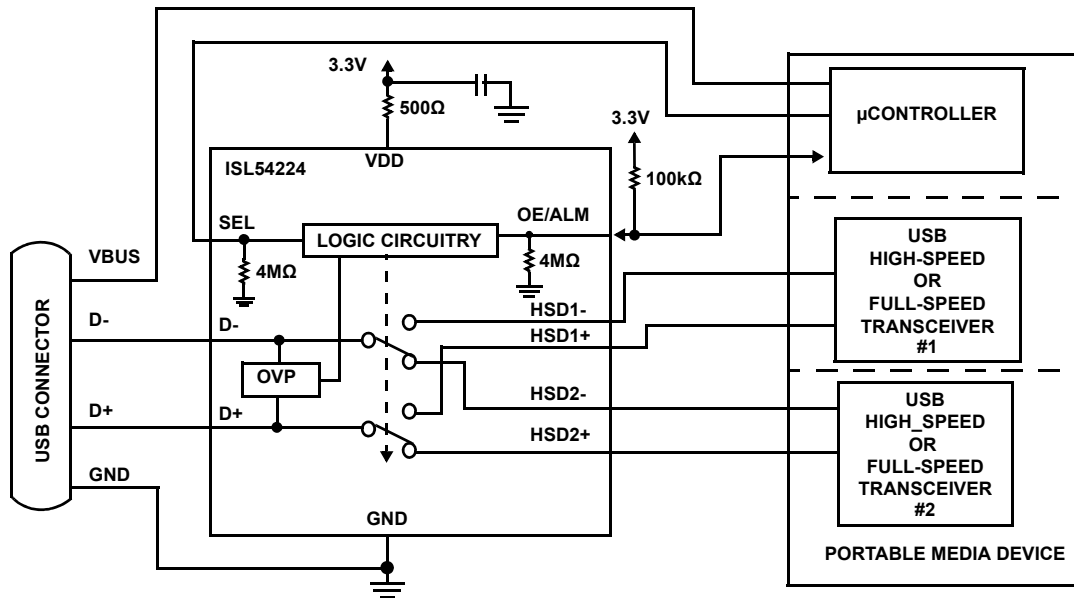


$|t_{ro} - t_{ri}|$ Delay Due to Switch for Rising Input and Rising Output Signals.
 $|t_{fo} - t_{fi}|$ Delay Due to Switch for Falling Input and Falling Output Signals.
 $|t_{skew_o}|$ Change in Skew through the Switch for Output Signals.
 $|t_{skew_i}|$ Change in Skew through the Switch for Input Signals.

FIGURE 8B. TEST CIRCUIT

FIGURE 8. SKEW TEST

Application Block Diagram



Detailed Description

The ISL54224 device is a dual single pole/double throw (SPDT) analog switch configured as a DPDT that operates from a single DC power supply in the range of 2.7V to 5.25V.

It was designed to function as a dual 2-to-1 multiplexer to select between two USB high-speed differential data signals in portable battery powered products. It is offered in a TDFN, and a small μ TQFN packages for use in MP3 players, cameras, PDAs, cellphones, and other personal media players.

The part contains special overvoltage detection and protection (OVP) circuitry on the D-/D+ com pins. This circuitry acts to open the USB in-line switches when the part senses a voltage on the com pins that is $>3.8V$ (typ) or $<-0.5V$ (typ). It isolates voltages up to 5.25V and down to -5V from getting through to the other side of the switch to protect the USB transceivers connected at the signal pins (HSD1-, HSD1+, HSD2-, HSD2+).

The device has an open drain OE/ALM pin that can be driven "Low" to open all switches. The OE/ALM pin gets internally pulled "Low" whenever the part senses an overvoltage condition. The pin must be externally pulled "High" with a 100k Ω pull-up resistor and monitored for a "Low" to determine when an overvoltage condition has occurred.

The part consists of four 6.5 Ω high speed (HSx) switches. These switches have high bandwidth and low capacitance to pass USB high-speed (480Mbps) differential data signals with minimal edge and phase distortion. They can also swing from 0V to 3.6V to pass USB full speed (12Mbps) differential data signals with minimal distortion.

The ISL54224 was designed for MP3 players, cameras, cellphones, and other personal media player applications that have multiple high-speed or full-speed transceivers sections and need to multiplex between these USB sources to a single USB

host (computer). A typical application block diagram of this functionality is previously shown.

A detailed description of the HS switches is provided in the following section.

High-Speed (HSx) Data Switches

The HSx switches (HSD1-, HSD1+, HSD2-, HSD2+) are bi-directional switches that can pass USB high-speed and USB full-speed signals when V_{DD} is in the range of 2.7V to 5.25V.

When powered with a 2.7V supply, these switches have a nominal r_{ON} of 6.5 Ω over the signal range of 0V to 400mV with a r_{ON} flatness of 0.3 Ω . The r_{ON} matching between the HSD1x switches and HSD2x switches over this signal range is only 0.2 Ω , ensuring minimal impact by the switches to USB high-speed signal transitions. As the signal level increases, the r_{ON} switch resistance increases. At a signal level of 3.3V, the switch resistance is nominally 12 Ω . See Figures 11, 12, 13, 14, 15, 16, 17, and 18 in the "Typical Performance Curves" beginning on page 12.

The HSx switches were specifically designed to pass USB 2.0 high-speed (480Mbps) differential signals in the range of 0V to 400mV. They have low capacitance and high bandwidth to pass the USB high-speed signals with minimum edge and phase distortion to meet USB 2.0 high speed signal quality specifications. See Figure 22 in the "Typical Performance Curves" on page 14 for USB High-speed Eye Pattern taken with switch in the signal path.

The HSx switches can also pass USB full-speed signals (12Mbps) with minimal distortion and meet all the USB requirements for USB 2.0 full-speed signaling. See Figure 23 in the "Typical Performance Curves" on page 14 for USB Full-speed Eye Pattern taken with switch in the signal path.

The HS1 channel switches are active (turned ON) whenever the SEL voltage is logic “0”(Low) and the OE/ALM voltage is logic “1”(High).

The HS2 channel switches are active (turned ON) whenever the SEL voltage is logic “1” (High) and the OE/ALM voltage is logic “1” (High).

Overvoltage Protection (OVP)

The maximum normal operating signal range for the HSx switches is from 0V to 3.6V. For normal operation, the signal voltage should not be allowed to exceed this voltage range or go below ground by more than -0.3V.

However, in the event that a positive voltage > 3.8V (typ) to 5.25V, such as the USB 5V V_{BUS} voltage, gets shorted to one or both of the COM+ and COM- pins or a negative voltage < -0.5V (typ) to -5V gets shorted to one or both of the COM pins, the ISL54224 has OVP circuitry to detect the overvoltage condition and open the SPDT switches to prevent damage to the USB down-stream transceivers connected at the signal pins (HS1D-, HS1D+, HS2D-, HS2D+).

The OVP and power-off protection circuitry allows the COM pins (D-, D+) to be driven up to 5.25V while the V_{DD} supply voltage is in the range of 0V to 5.25V. In this condition the part draws <100µA of I_{COMx} and I_{DD} current and causes no stress to the IC. In addition, the SPDT switches are OFF and the fault voltage is isolated from the other side of the switch.

The OE/ALM pin gets internally pulled low whenever the part senses an overvoltage condition. The pin must be externally pulled “High” with a pull-up resistor and monitored for a “Low” to determine when an overvoltage condition has occurred.

External V_{DD} Series Resistor to Limit I_{DD} Current during Negative OVP Condition

A 100Ω to 1kΩ resistor in series with the VDD pin (see Figure 9) is required to limit the I_{DD} current draw from the system power supply rail during a negative OVP fault event.

With a negative -5V fault voltage at both com pins, the graph in Figure 10 shows the I_{DD} current draw for different external resistor values for supply voltages of 2.7V, 3.6V, and 5.25V. Note: With a 500Ω resistor the current draw is limited to around 5mA. When the negative fault voltage is removed the I_{DD} current will return to it’s normal operation current of 25µA to 45µA.

The series resistor also provides improved ESD and latch-up immunity. During an overvoltage transient event (such as occurs during system level IEC 61000 ESD testing), substrate currents can be generated in the IC that can trigger parasitic SCR structures to turn ON, creating a low impedance path from the VDD power supply to ground. This will result in a significant amount of current flow in the IC, which can potentially create a latch-up state or permanently damage the IC. The external VDD resistor limits the current during this over-stress situation and has been found to prevent latch-up or destructive damage for many overvoltage transient events.

Under normal operation, the low microamp I_{DD} current of the IC produces an insignificant voltage drop across the series resistor resulting in no impact to switch operation or performance.

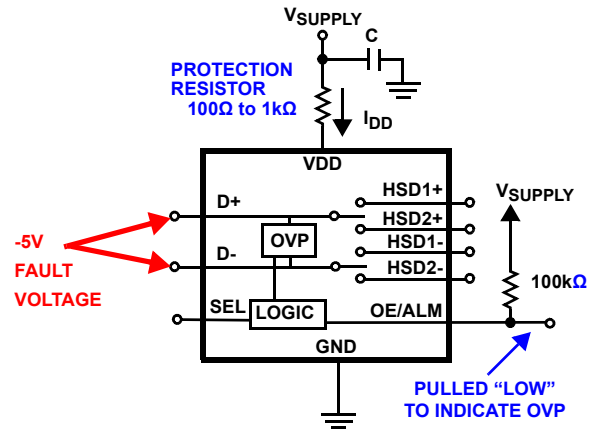


FIGURE 9. V_{DD} SERIES RESISTOR TO LIMIT I_{DD} CURRENT DURING NEGATIVE OVP AND FOR ENHANCED ESD AND LATCH-UP IMMUNITY

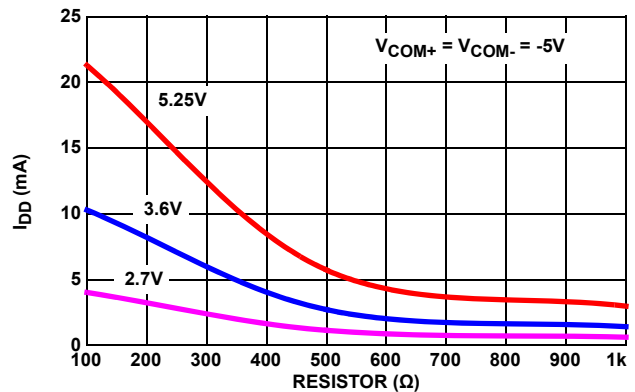


FIGURE 10. NEGATIVE OVP I_{DD} CURRENT vs RESISTOR VALUE vs V_{SUPPLY}

ISL54224 Operation

The following will discuss using the ISL54224 shown in the “Application Block Diagram” on page 9.

POWER

The power supply connected at the VDD pin provides the DC bias voltage required by the ISL54224 part for proper operation. The ISL54224 can be operated with a V_{DD} voltage in the range of 2.7V to 5.25V.

For lowest power consumption you should use the lowest V_{DD} supply.

A 0.01µF or 0.1µF decoupling capacitor should be connected from the VDD pin to ground to filter out any power supply noise from entering the part. The capacitor should be located as close to the VDD pin as possible.

In a typical application, V_{DD} will be in the range of 2.8V to 4.3V and will be connected to the battery or LDO of the portable media device.

LOGIC CONTROL

The state of the ISL54224 device is determined by the voltage at the SEL pin and the OE/ALM pin. SEL is only active when the OE/ALM pin is logic "1" (High). Refer to "Truth Table" on page 2.

The ISL54224 logic pins are designed to minimize current consumption when the logic control voltage is lower than the V_{DD} supply voltage. With $V_{DD} = 3.6V$ and logic pins at 1.4V the part typically draws only 25 μA . With $V_{DD} = 4.3V$ and logic pins at 2.6V the part typically draws only 35 μA . Driving the logic pins to the V_{DD} supply rail minimizes power consumption.

The SEL pin and OE/ALM pin have special circuitry that allows them to be driven with a voltage higher than the V_{DD} supply voltage. These pins can be driven up to 5.25V with a V_{DD} supply in the range of 2.7V to 5.25V.

The SEL pin and OE/ALM pin are internally pulled low through 4M Ω resistors to ground and can be tri-stated by a μ Processor.

The OE/ALM pin is an open drain connection. It should be pulled high through an external 100k Ω pull-up resistor. The OE/ALM pin can then be driven "Low" by a μ Processor to open all switches or it can be monitored by the μ Processor for a "Low" when the part goes into an over-voltage condition.

Logic Control Voltage Levels

TABLE 2. LOGIC CONTROL VOLTAGE LEVELS

V_{DD} SUPPLY RANGE	LOGIC = "0" (LOW)		LOGIC = "1" (HIGH)	
	OE/ALM	SEL	OE/ALM	SEL
2.7V to 3.6V	$\leq 0.5V$ or floating	$\leq 0.5V$ or floating	$\geq 1.4V$	$\geq 1.4V$
3.7V to 4.2V	$\leq 0.7V$ or floating	$\leq 0.7V$ or floating	$\geq 1.7V$	$\geq 1.7V$
4.3V to 5.25V	$\leq 0.8V$ or floating	$\leq 0.8V$ or floating	$\geq 2.0V$	$\geq 2.0V$

HSD1 USB Channel

If the SEL pin = Logic "0" and the OE/ALM pin = Logic "1", high-speed Channel 1 will be ON. The HSD1- and HSD1+ switches are ON and the HSD2- and HSD2+ switches are OFF (high impedance).

When a computer or USB hub is plugged into the common USB connector and Channel 1 is active, a link will be established between the USB 1 transceiver section of the media player and the computer. The device will be able to transmit and receive data from the computer.

HSD2 USB Channel

If the SEL pin = Logic "1" and the OE/ALM pin = Logic "1", high-speed Channel 2 will be ON. The HSD2- and HSD2+ switches are ON and the HSD1- and HSD1+ switches are OFF (high impedance).

When a USB cable from a computer or USB hub is connected at the common USB connector and Channel 2 is active, a link will be established between the USB 2 driver section of the media player and the computer. The device will be able to transmit and receive data from the computer.

All Switches OFF Mode

If the SEL pin = Logic "0" or Logic "1" and the OE/ALM pin = Logic "0", all of the switches will turn OFF (high impedance).

The all OFF state can be used to switch between the two USB sections of the media player. When disconnecting from one USB device to the other USB device, you can momentarily put the ISL54224 switch in the "all off" state in order to get the computer to disconnect from the one device so it can properly connect to the other USB device when that channel is turned ON.

Whenever the ISL54224 senses a fault condition on the COM pins, the OE/ALM pin will be internal pulled low by the device and all switches will be turned OFF.

USB 2.0 V_{BUS} Short Requirements

The USB specification in section 7.1.1 states a USB device must be able to withstand a V_{BUS} short (4.4V to 5.25V) or a -1V short to the D+ or D- signal lines when the device is either powered off or powered on for at least 24 hours.

The ISL54224 part has special power-off protection and OVP detection circuitry to meet these short circuit requirements. This circuitry allows the ISL54224 to provide protection to the USB down-stream transceivers connected at its signal pins (HS1D-, HS1D+, HS2D-, HS2D+) to meet the USB specification short circuit requirements.

The power-off protection and OVP circuitry allows the COM pins (D-, D+) to be driven up to 5.25V or down to -5V while the V_{DD} supply voltage is in the range of 0V to 5.25V. In these overvoltage conditions with a 500 Ω external VDD resistor the part draws <55 μA of current into the COM pins and causes no stress/damage to the IC. In addition, all switches are OFF and the shorted V_{BUS} voltage will be isolated from getting through to the other side of the switch channels, thereby protecting the USB transceivers.

Typical Performance Curves $T_A = +25^\circ\text{C}$, Unless Otherwise Specified

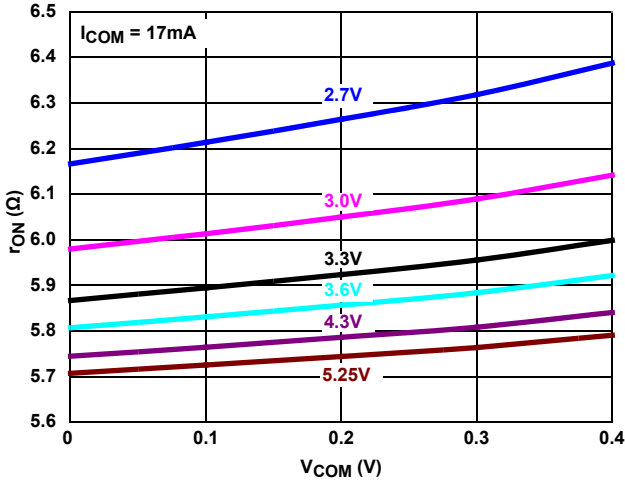


FIGURE 11. ON-RESISTANCE vs SUPPLY VOLTAGE vs SWITCH VOLTAGE

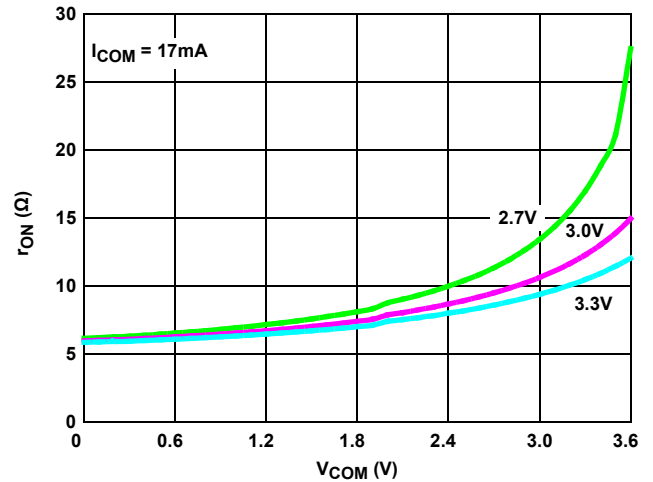


FIGURE 12. ON-RESISTANCE vs SUPPLY VOLTAGE vs SWITCH VOLTAGE

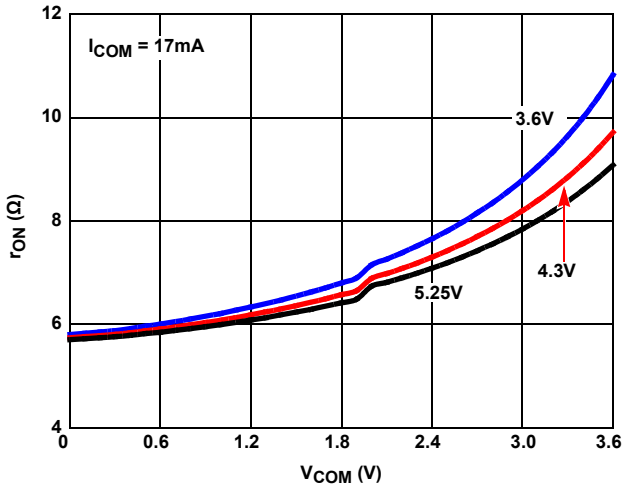


FIGURE 13. ON-RESISTANCE vs SUPPLY VOLTAGE vs SWITCH VOLTAGE

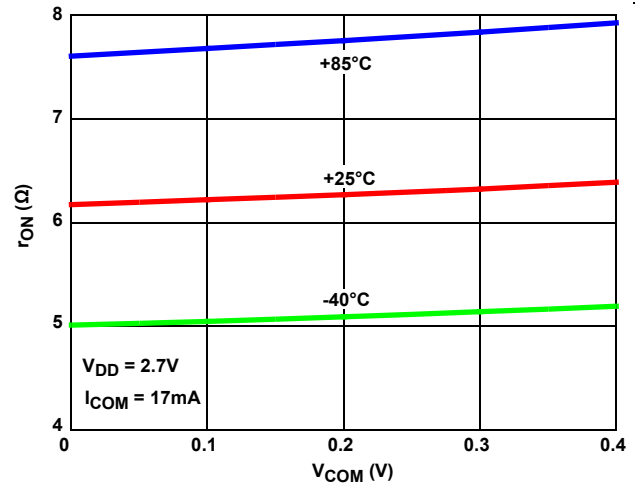


FIGURE 14. ON-RESISTANCE vs SWITCH VOLTAGE

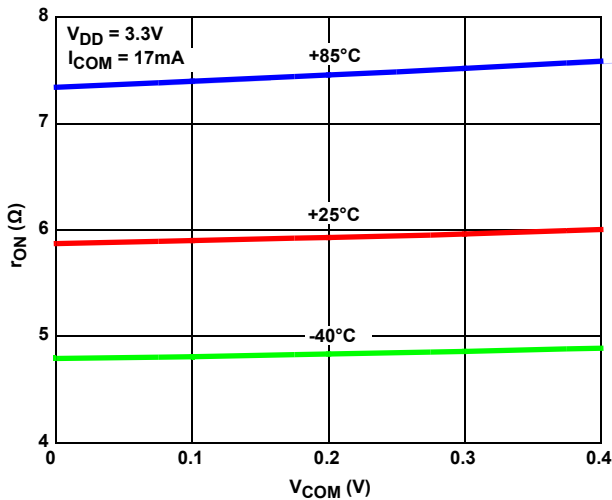


FIGURE 15. ON-RESISTANCE vs SWITCH VOLTAGE

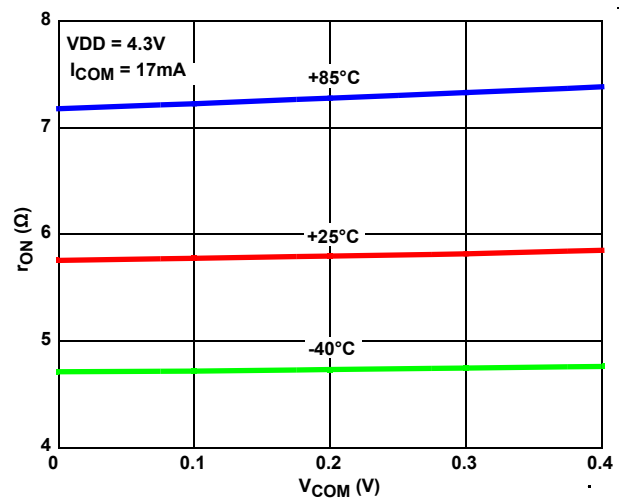


FIGURE 16. ON-RESISTANCE vs SWITCH VOLTAGE

Typical Performance Curves $T_A = +25^\circ\text{C}$, Unless Otherwise Specified **(Continued)**

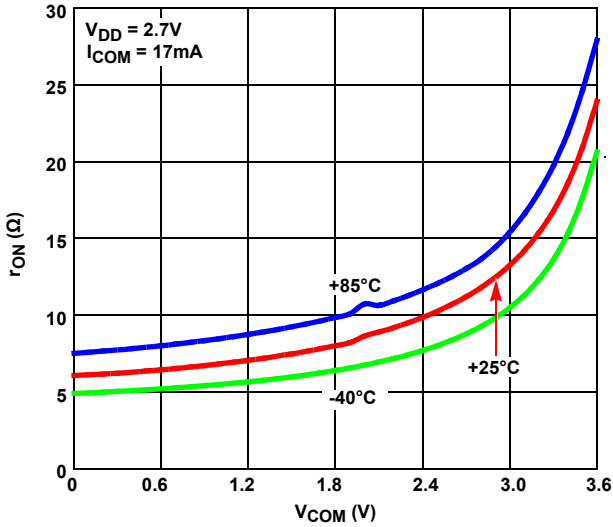


FIGURE 17. ON-RESISTANCE vs SWITCH VOLTAGE

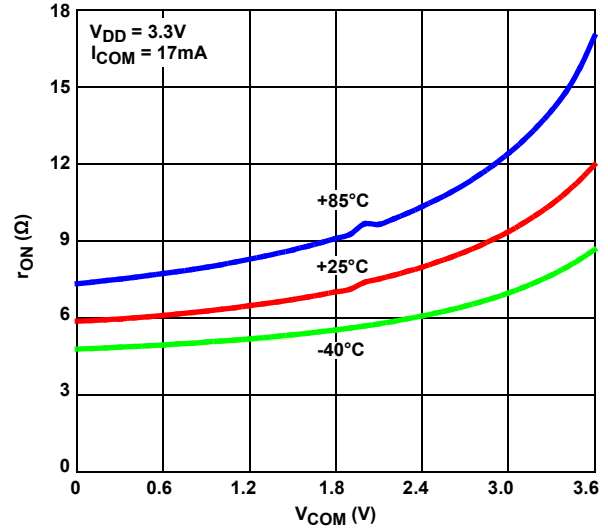


FIGURE 18. ON-RESISTANCE vs SWITCH VOLTAGE

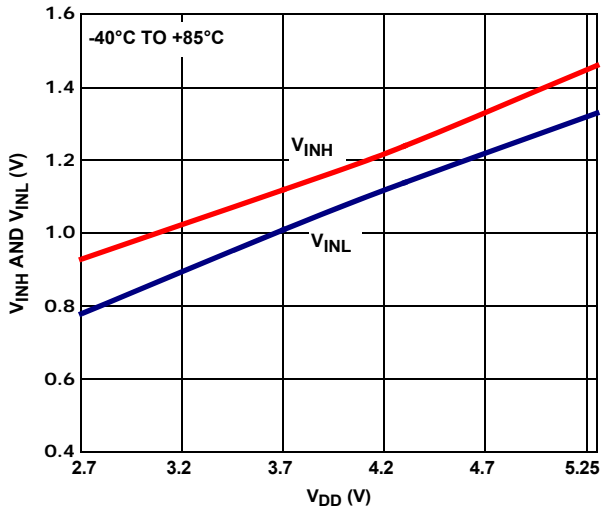


FIGURE 19. DIGITAL SWITCHING POINT vs SUPPLY VOLTAGE

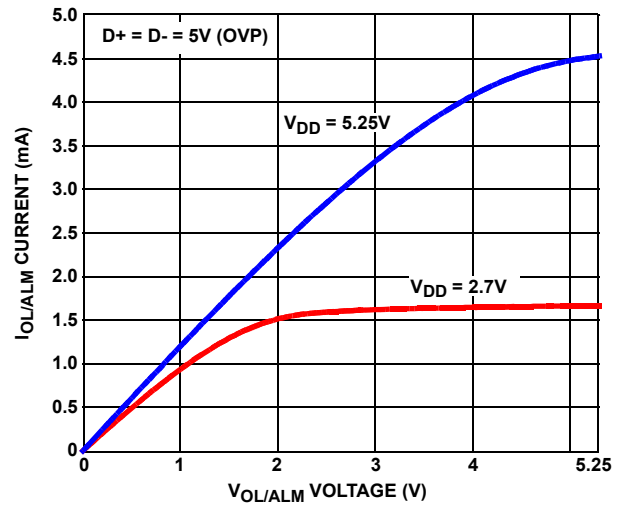


FIGURE 20. OE/ALM IOL vs VOL DURING OVP STATE

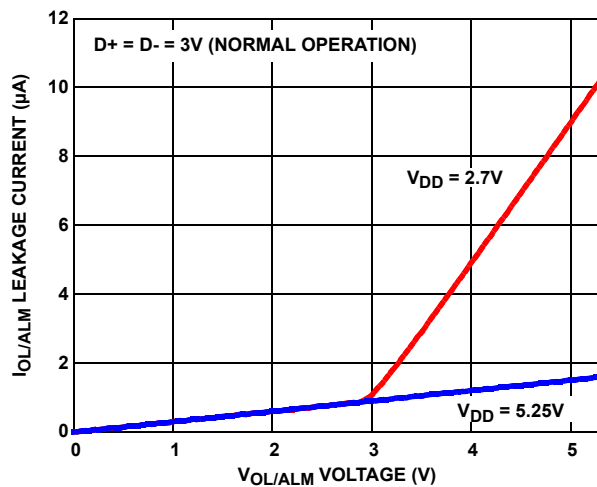


FIGURE 21. OE/ALM LEAKAGE CURRENT vs DIGITAL VOLTAGE DURING NORMAL OPERATION

Typical Performance Curves $T_A = +25^\circ\text{C}$, Unless Otherwise Specified **(Continued)**

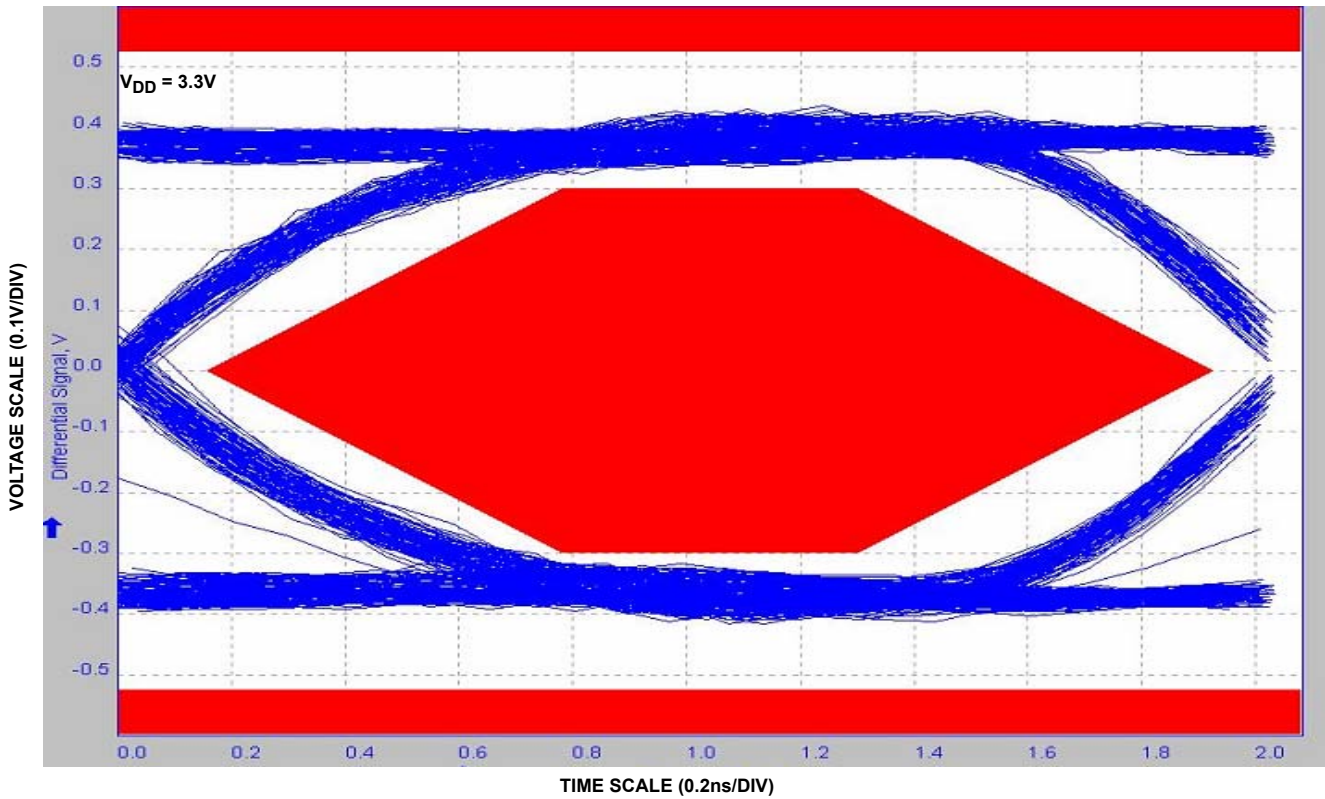


FIGURE 22. EYE PATTERN: 480Mbps WITH USB SWITCHES IN THE SIGNAL PATH

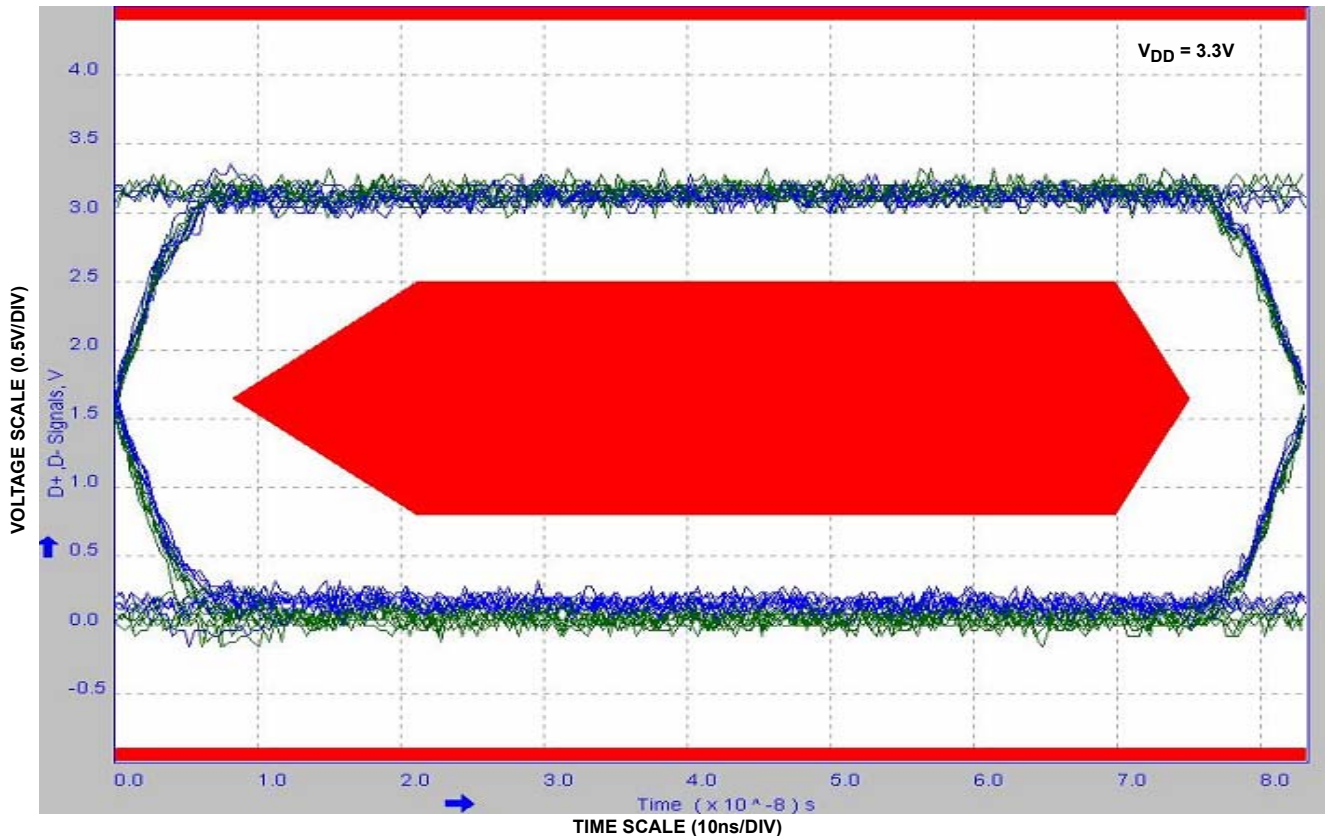


FIGURE 23. EYE PATTERN: 12Mbps WITH USB SWITCHES IN THE SIGNAL PATH

Typical Performance Curves $T_A = +25^\circ\text{C}$, Unless Otherwise Specified **(Continued)**

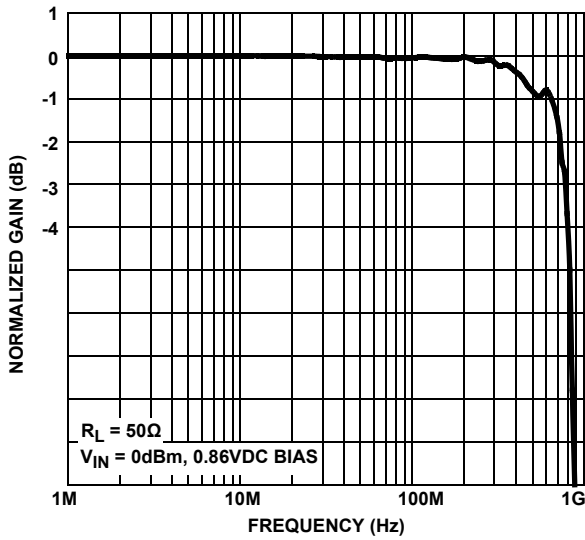


FIGURE 24. FREQUENCY RESPONSE

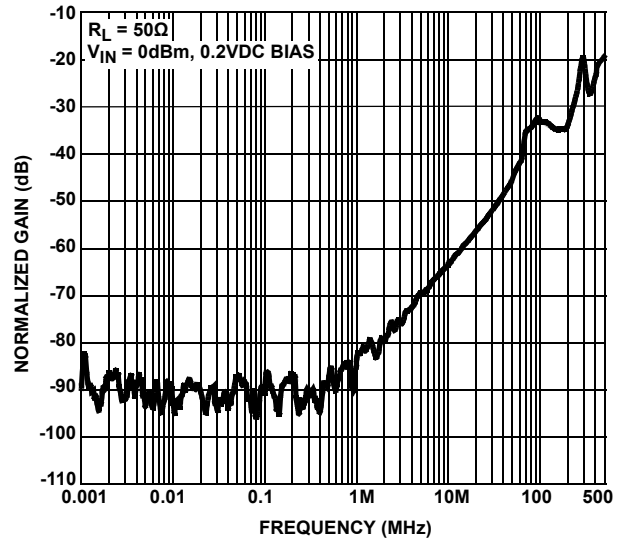


FIGURE 25. OFF-ISOLATION

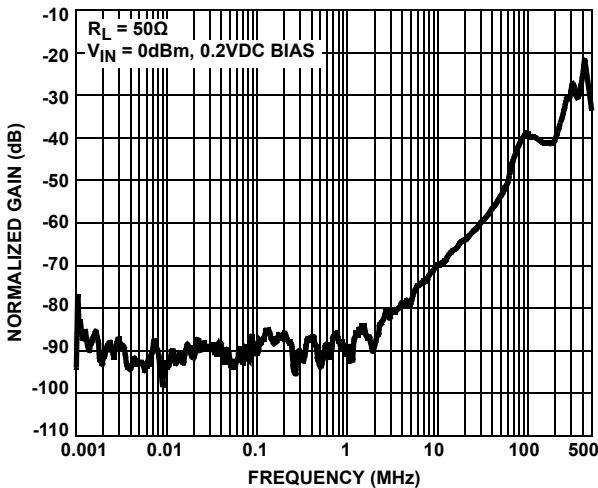


FIGURE 26. CROSSTALK

Die Characteristics

SUBSTRATE AND TDFN THERMAL PAD POTENTIAL (POWERED UP):

GND

TRANSISTOR COUNT:

1297

PROCESS:

Submicron CMOS

Revision History

The revision history provided is for informational purposes only and is believed to be accurate, but not warranted. Please go to web to make sure you have the latest Rev.

DATE	REVISION	CHANGE
September 19, 2013	FN6969.1	Page 2, Pin Description table OE/ALM Description: changed last line from: "Outputs Low when OTV is Activated" to: "Outputs Low when OVP is Activated" Page 18, Updated POD L10.3x3A to rev 5 - Converted to new format by moving dimensions from table onto drawing (no dimension changes).
June 7, 2010	FN6969.0	Initial Release.

About Intersil

Intersil Corporation is a leader in the design and manufacture of high-performance analog, mixed-signal and power management semiconductors. The company's products address some of the largest markets within the industrial and infrastructure, personal computing and high-end consumer markets. For more information about Intersil, visit our website at www.intersil.com.

For the most updated datasheet, application notes, related documentation and related parts, please see the respective product information page found at www.intersil.com. You may report errors or suggestions for improving this datasheet by visiting www.intersil.com/en/support/ask-an-expert.html. Reliability reports are also available from our website at <http://www.intersil.com/en/support/qualandreliability.html#reliability>

© Copyright Intersil Americas LLC 2010-2013. All Rights Reserved.
All trademarks and registered trademarks are the property of their respective owners.

For additional products, see www.intersil.com/en/products.html

Intersil products are manufactured, assembled and tested utilizing ISO9001 quality systems as noted in the quality certifications found at www.intersil.com/en/support/qualandreliability.html

Intersil products are sold by description only. Intersil may modify the circuit design and/or specifications of products at any time without notice, provided that such modification does not, in Intersil's sole judgment, affect the form, fit or function of the product. Accordingly, the reader is cautioned to verify that datasheets are current before placing orders. Information furnished by Intersil is believed to be accurate and reliable. However, no responsibility is assumed by Intersil or its subsidiaries for its use; nor for any infringements of patents or other rights of third parties which may result from its use. No license is granted by implication or otherwise under any patent or patent rights of Intersil or its subsidiaries.

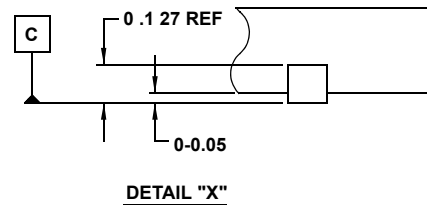
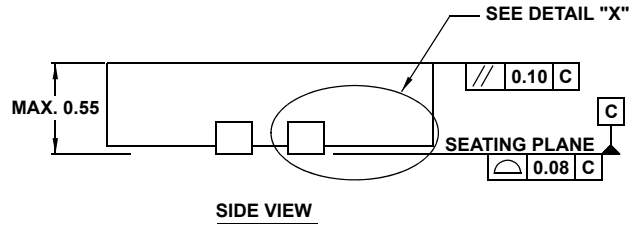
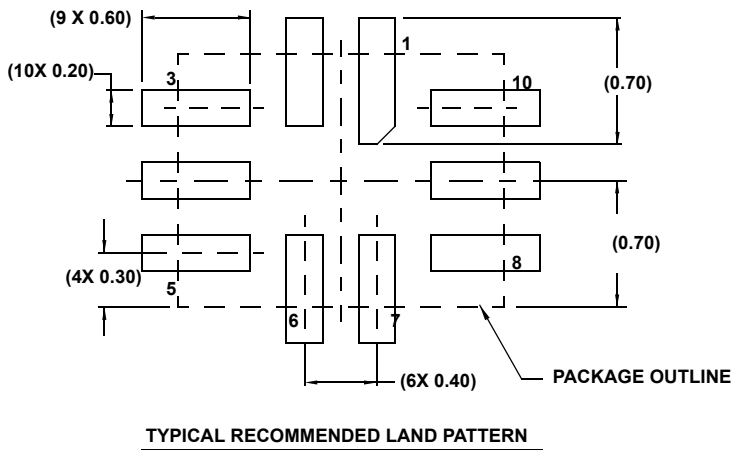
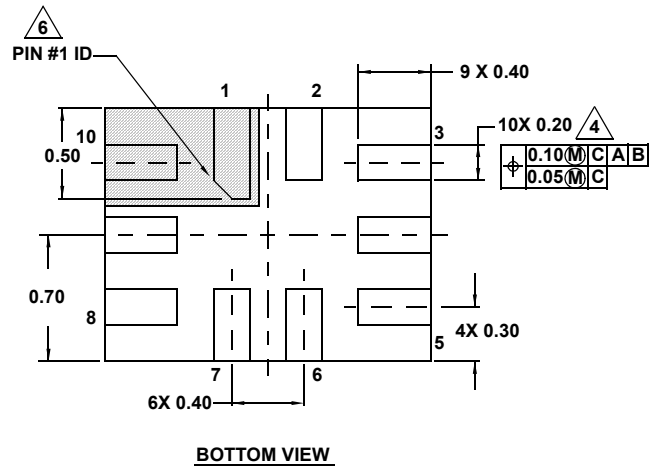
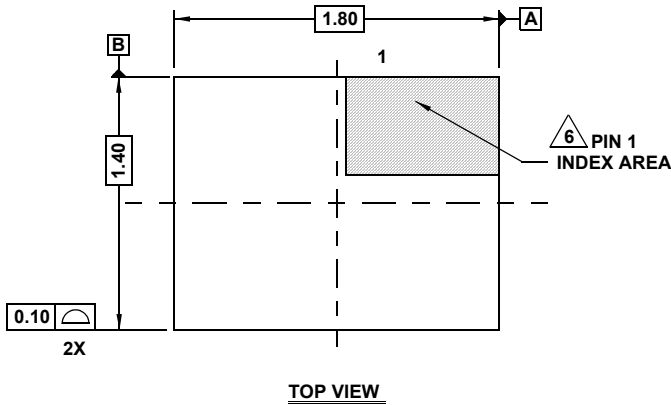
For information regarding Intersil Corporation and its products, see www.intersil.com

Package Outline Drawing

L10.1.8x1.4A

10 LEAD ULTRA THIN QUAD FLAT NO-LEAD PLASTIC PACKAGE

Rev 5, 3/10



NOTES:

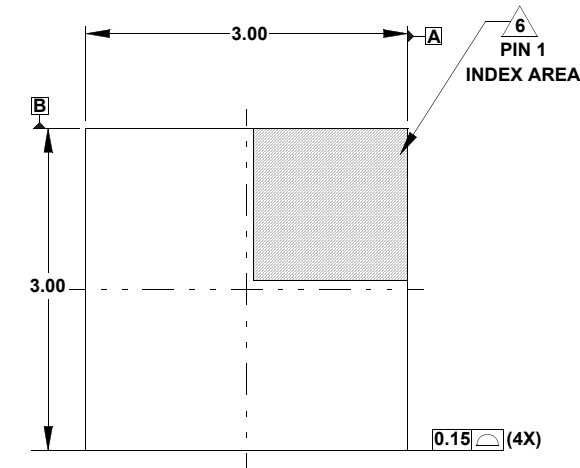
1. Dimensions are in millimeters.
Dimensions in () for Reference Only.
2. Dimensioning and tolerancing conform to ASME Y14.5m-1994.
3. Unless otherwise specified, tolerance : Decimal ± 0.05
4. Dimension applies to the metallized terminal and is measured between 0.15mm and 0.30mm from the terminal tip.
5. JEDEC reference MO-255.
6. The configuration of the pin #1 identifier is optional, but must be located within the zone indicated. The pin #1 identifier may be either a mold or mark feature.

Package Outline Drawing

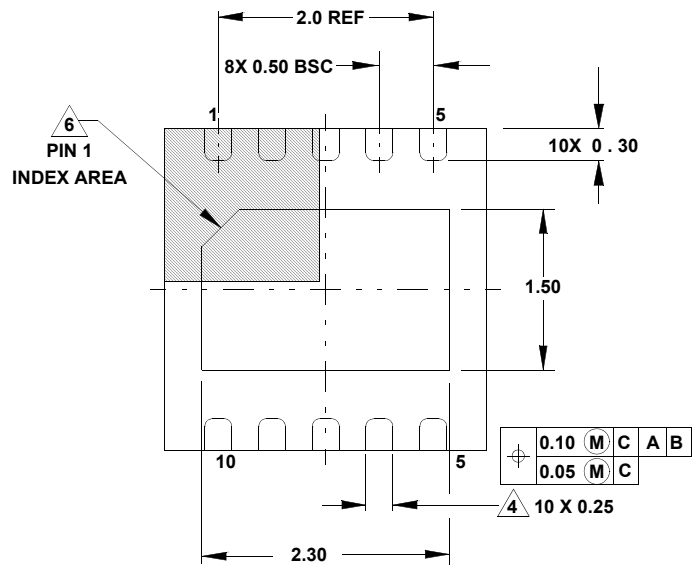
L10.3x3A

10 LEAD THIN DUAL FLAT NO-LEAD PLASTIC PACKAGE

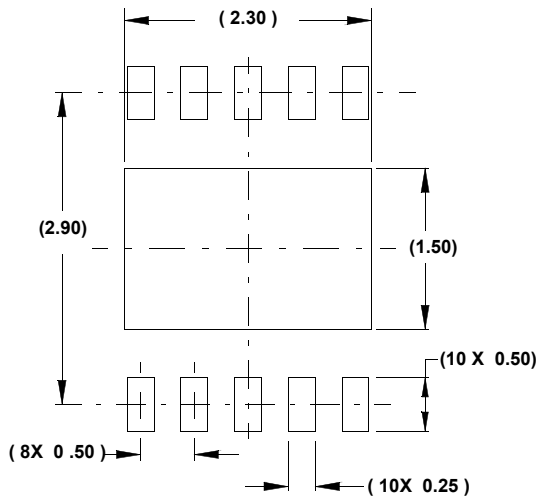
Rev 5, 3/10



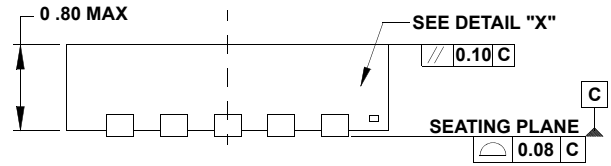
TOP VIEW



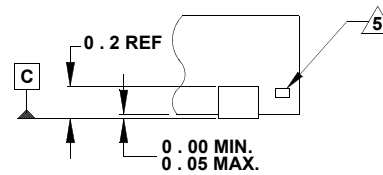
BOTTOM VIEW



TYPICAL RECOMMENDED LAND PATTERN



SIDE VIEW



DETAIL "X"

NOTES:

1. Dimensions are in millimeters.
Dimensions in () for Reference Only.
2. Dimensioning and tolerancing conform to ASME Y14.5m-1994.
3. Unless otherwise specified, tolerance : Decimal ± 0.05
Angular $\pm 2.50^\circ$
4. Dimension applies to the metallized terminal and is measured between 0.15mm and 0.30mm from the terminal tip.
5. Tiebar shown (if present) is a non-functional feature.
6. The configuration of the pin #1 identifier is optional, but must be located within the zone indicated. The pin #1 identifier may be either a mold or mark feature.
7. Compliant to JEDEC MO-229-WEED-3 except exposed pad length (2.30mm).