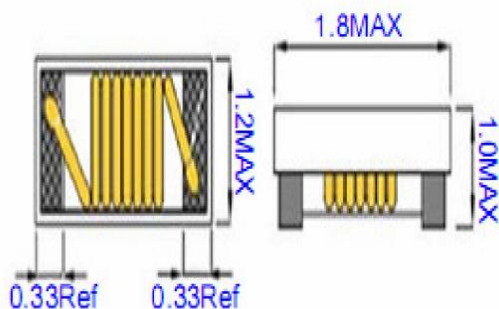


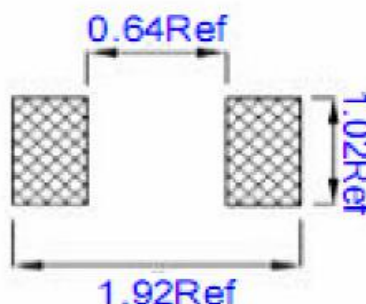
PRODUCT: Wire Wound Chip Inductor

SERIES: PWCWAQ1608F

PACKAGING DIMENSION: [Unit: mm]



PAD LAYOUT(mm):



GENERAL SPECIFICATIONS:

**RoHS
COMPLIANT**

P/N	Inductance	L/Q Test Condition	DC Resistance	Isat	Irms
	$\mu\text{H} \pm 10\%$	Hz	Ω Max.	mA Typ.	mA Typ.
PWCWAQ1608F-1R0KTT	1.0	7.9M	0.416	750	680
PWCWAQ1608F-2R2KTT	2.2	7.9M	0.728	600	580
PWCWAQ1608F-4R7KTT	4.7	100K	1.261	400	420
PWCWAQ1608F-6R8KTT	6.8	100K	1.950	320	300
PWCWAQ1608F-100KTT	10.0	7.9M	2.405	280	280
PWCWAQ1608F-150KDT	15.0	2.5M	3.380	200	240
PWCWAQ1608F-220KDT	22.0	2.5M	4.690	200	240

Electrical specifications : at 25°C
Operation Temperature: -40°C~+125°C
Storage Temperature: -40°C~+125°C



PROD TECHNOLOGY CO., LTD.
TEL : 0755-86667379
<http://www.prodtech.cn>



E-LIVEN TECHNOLOGY CO., LTD.
NO.28 ho-cheng RD, bade city, taoyuan,
taiwan