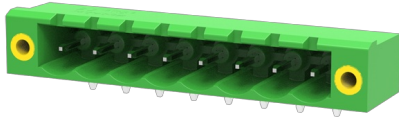


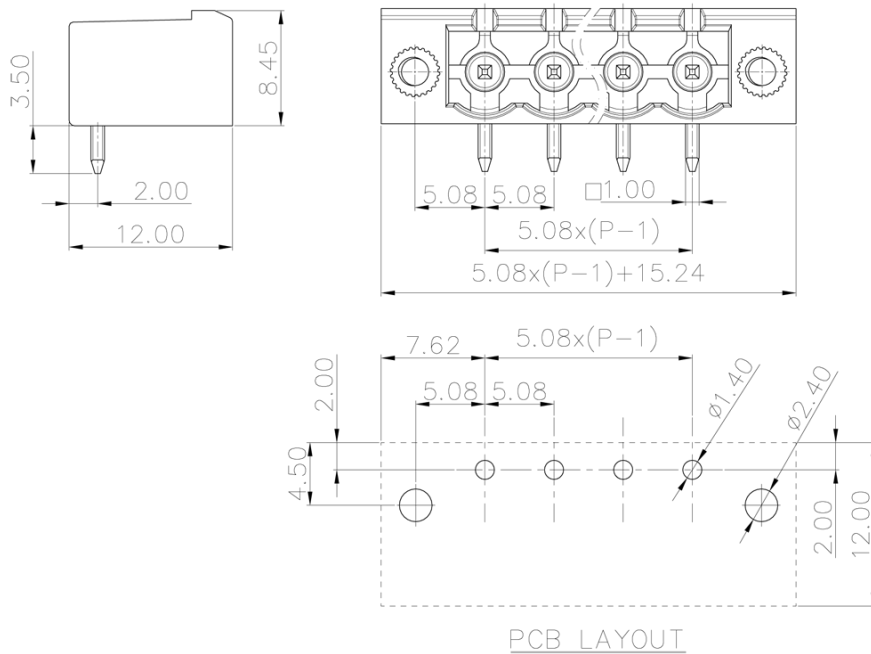
类别: 插拔式端子-插座/Plug-in terminal-plug

产品名称: MC-PA5.08HXX-F-0001

产品描述: 5.08mm , 320V , 18A CE , UL



产品图/Product Picture



基本信息 /Basic Information

产品型号 SUPU ID	MC-PA5.08HXX-F-0001
产品间距 Pitch	5.08mm
产品层数 Number of levels	1
产品位数 Number of connections	2P-24P
接线方式 Connection method	-

防护等级 Protection Level	IP20
工作温度 Work temperature	-40~+105°C

## IEC数据 /IEC Data

额定电流 Rated Current	18A		
额定电压 Rated Voltage	320V		
过压类别 Overvoltage category	III	III	II
污染等级 Pollution degree	3	2	2
额定冲击电压 Rated impulse voltage	4KV	4KV	4KV
额定电压 Rated Voltage	250V	320V	630V
硬导线截面积 Conductor cross section solid	-		
柔性导线截面积 Conductor cross section flexible	-		
柔性导线截面积，带绝缘管套 Conductor cross section flexible,with furrule	-		
锁线螺钉规格 Locking screw Specification	-		
额定扭矩 Rated Torque	-		
固定螺钉规格 Fixed Screw Specification	M2.5		
额定扭矩 Rated Torque	0.3N.m		
剥线长度 Stripping length	-		

## UL数据 /UL Data

使用组别 Use group	B	C	D
额定电流 Rated Current	15A	-	10A

---

额定电压 Rated Voltage	300V	-	300V
-----------------------	------	---	------

---

额定接线容量 Rated cross section	-		
-------------------------------	---	--	--

---

## 材料信息 /Material Data

---

绝缘材料 Insulation material	PA66
-----------------------------	------

---

绝缘材料组别 Insulation material group	I
-------------------------------------	---

---

阻燃等级,符合UL94 Flame retardant grade, UL94 compliance	V0
---	----

---

导体材料 Contact material	Copper alloy
--------------------------	--------------

---

导体表面镀层 Surface characteristics	Sn,Plated
-----------------------------------	-----------

---

## 产品认证 /Product Certification

---

认证图标  
Certificate



UL证书号  
UL file No. E330768-20161214

VDE证书号  
VDE No.

TUV证书号  
TUV No.

CE证书号  
CE No. 0B181010.NSETO13

---

# 宁波速普电子有限公司

Ningbo Supu Electronics Co.,Ltd

Address: No. 625, Kandun Town Street, Cixi

City, Zhejiang Province

Zip code: 315303

Switchboard: +86 574-63288158

Fax: +86 574-63288170

E-mail : askme@supu.cn

Service Hotline: 400-626-6336

地址：浙江省慈溪市坎墩镇街625号

邮编：315303

总机：+86 574-63288158

传真：+86 574-63288170

E-mail : askme@supu.cn

服务热线：400-626-6336



官方微信

---

文件日期：2021-07-02 13:01

产品录入：2021-03-01

数据修改权利归速普所有。