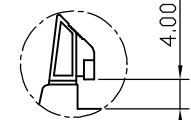


LONG LATCH

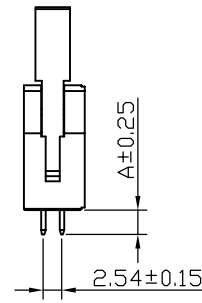
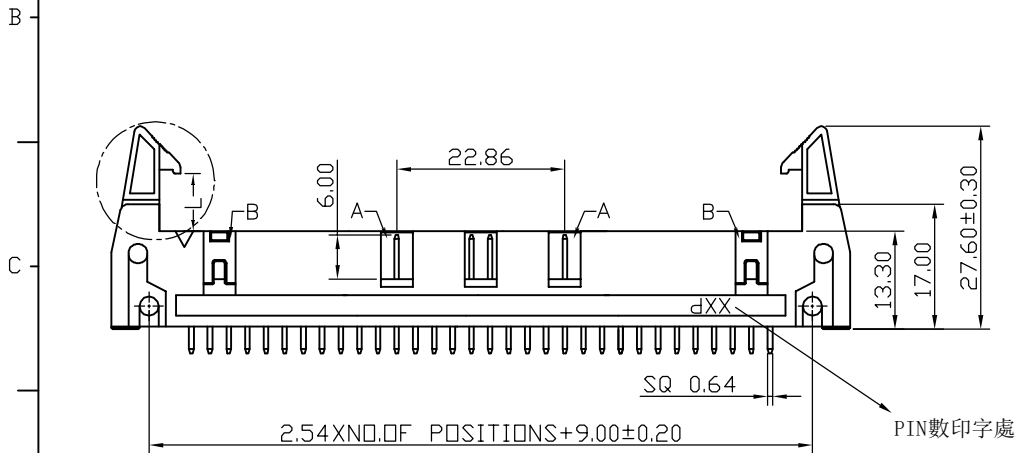


SHORT LATCH

NOTES:  
 CURRENT RATING:3.0AMP  
 CONTACT RESISTANCE:20mΩ MAX  
 WITHSTAND VOLTAGE:1000V AC/DC  
 INSULATION RESISTANCE:1000MΩ MIN  
 OPERATION TEMPERATURE:-40°C TO +105°C

CONTACT MATERIAL:BRASS  
 CONTACT PLATING:AU OR SN OVER NI  
 INSULATOR MATERIAL:PBT OR PA9T+30%G.F  
 UL94V-0

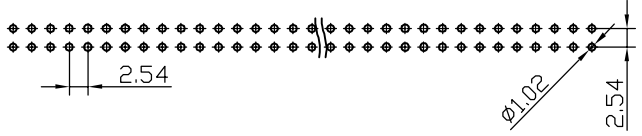
06P-18P WITHOUT SLOT "A" AND "B"  
 20P-58P WITHOUT SOLT "A",WITH SLOT "B"  
 60P-64P WITH SLOT "A" AND "B"



PART NO.

Z-23001 \* \* \* \* \* W  
 INSULATION MATERIAL  
 0=PBT  
 2=PA9T  
 INSULATION COLOR  
 0=BLACK  
 8=GREY(427C)  
 NO OF Pins  
 06 24  
 08 26  
 10 30  
 12 34  
 14 40  
 16 50  
 18 60  
 20 64  
 LATCH  
 0=NO LATCH  
 1=SHORT LATCH  
 2=LONG LATCH  
 PLATED  
 2=GOLD FLASH  
 3=Au 10u"  
 4=Au 15u"  
 5=Au 30u"  
 9=Au 3u"  
 8=Au 5u"  
 B=GOLD FLASH/TIN  
 6=Au 10u"/TIN  
 7=Au 30u"/TIN  
 A=Au 15u"/TIN  
 C=Au 3u"/TIN  
 D=Au 5u"/TIN  
 0=TIN  
 Packing  
 0=Tray  
 1=Tube

RECOMMENDED P.C.B LAYOUT(TOP SIDE)  
 (PCB BOARD TOLERANCE±0.05)



|           | PIN LENGTH | DIM.A |
|-----------|------------|-------|
| STANDARD  | 16.0       | 3.30  |
| ALTERNATE | 17.3       | 4.50  |
| ALTERNATE | ---        | ---   |

| REV. | DESCRIPTION  | DATE     | APPD |
|------|--------------|----------|------|
| A    | NEW RELEASED | 11/17'15 | 楊海文  |

| UNITS    |              |
|----------|--------------|
| mm       | INCH         |
| 4 PLACE  | ± ** ±. **   |
| 3 PLACE  | ± ** ±. **   |
| 2 PLACE  | ± 0.25 ±. ** |
| 1 PLACE  | ± 0.40 ±. ** |
| ANGULAR: | X°±** X°±**  |

|          |                    |
|----------|--------------------|
| NAME:    | 2.54mm HEADER 180° |
| PART NO: | Z-23001*****W      |
| APPD:    | 楊海文 11/17'15       |
| CHKD:    | 廖小瓊 11/17'15       |
| DRAWN:   | 陳惠枝 11/17'15       |

|                                  |              |
|----------------------------------|--------------|
| <br>NEXTRONICS ENGINEERING CORP. |              |
| TITLE: CUSTOMER DWG              |              |
| DWG NO:                          | 010-0000-E93 |
| SCALE:                           | 1/1          |
| SHEET:                           | 1/1          |
| REV.:                            | A            |