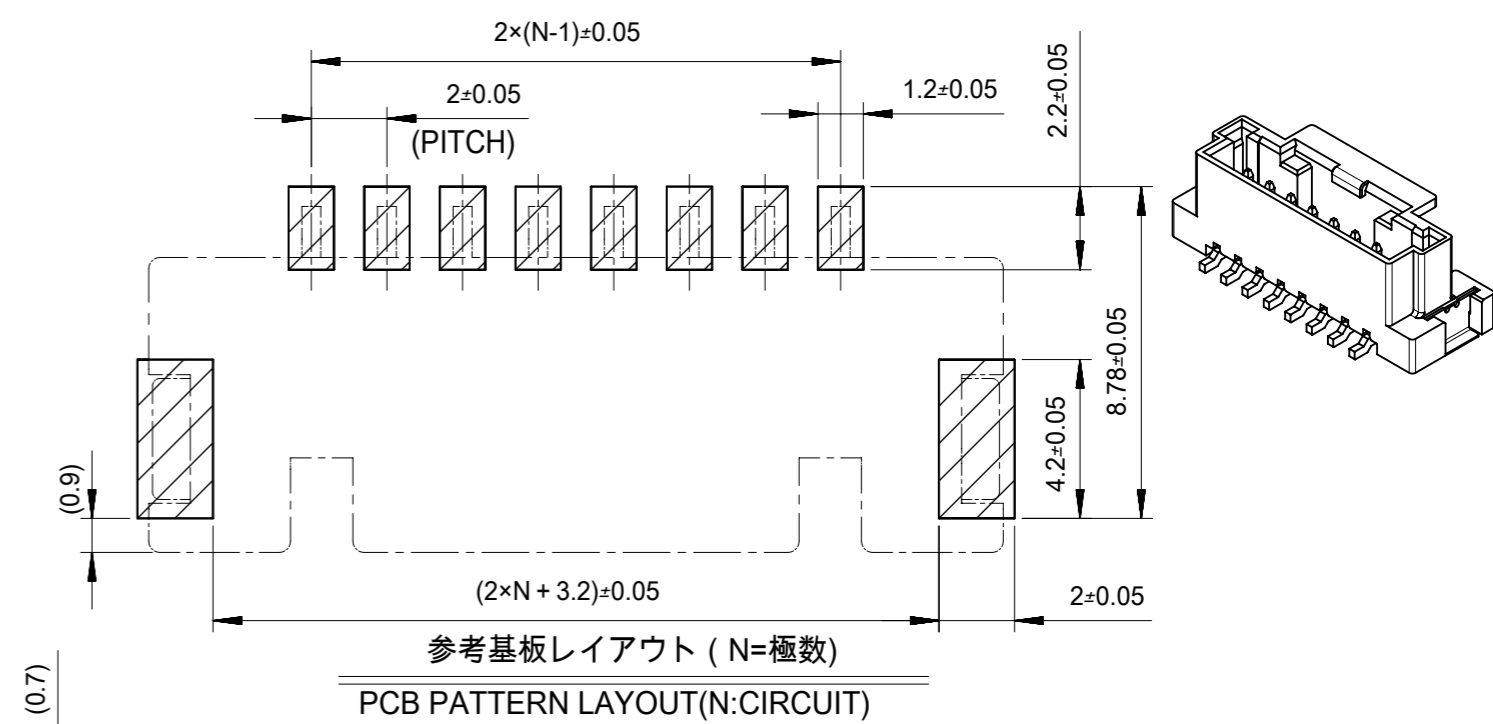
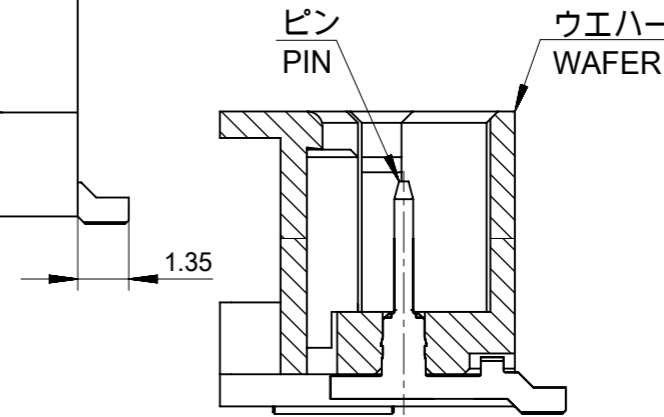


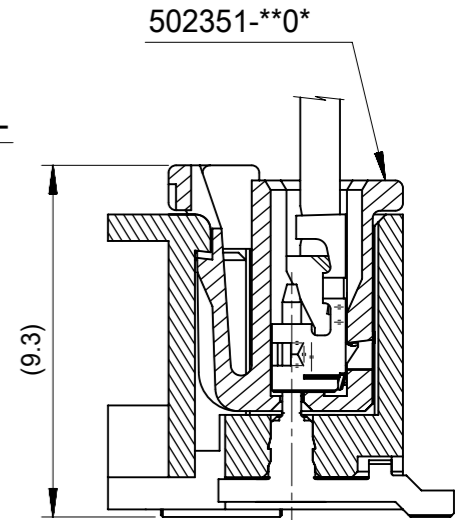
8CKTS



フィッティングネイル
FITTING NAIL



SECTION Z-Z



嵌合図
MATED DRAWING

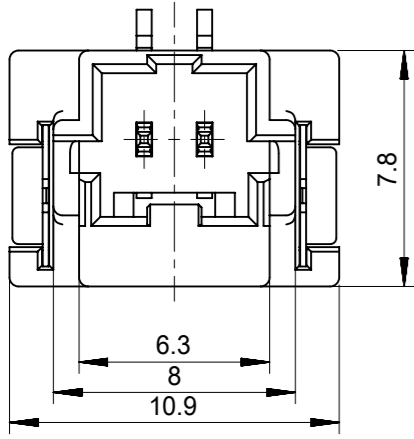
注記
NOTES

- 材質
ウエハー: 耐熱性ナイロン UL94V-0
ピン: 銅合金、ニッケル下地、錫メッキ、金メッキ
フィッティングネイル: 銅合金、ニッケル下地、錫メッキ
MATERIAL
WAFER: POLYAMIDE UL94V-0
PIN: COPPER ALLOY, GOLD OR TIN OVER NICKEL PLATE.
FITTING NAIL: COPPER ALLOY, TIN OVER NICKEL PLATE.
- 色: ナチュラル、黒、赤、青
COLOR: NATURAL, BLACK, RED, BLUE
- 嵌合相手:
ハウジング: 502351-**0*
錫メッキ端子: 50212-8*00, 50372-8*00, 560085-0101
金メッキ端子: 56161-8*81
MATES WITH
HOUSING: 502351-**0*
SN PLATING TERMINAL: 50212-8*00, 50372-8*00, 560085-0101
AU PLATING TERMINAL: 56161-8*81

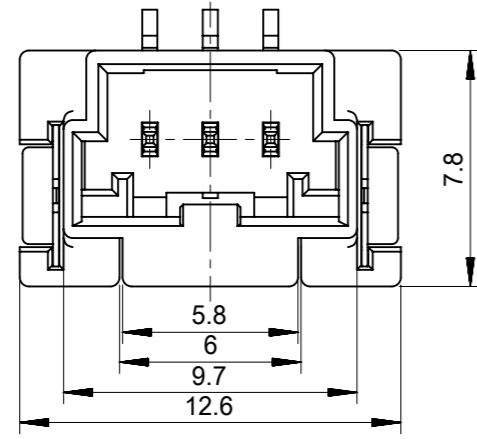
- エンボス梱包品の詳細はSD-560020-002参照
DETAILED TAPING PACKAGE, SEE SD-560020-002
- 半田付け面のコプラナリティ: 0.1mm MAX.
CO-PLANARITY OF SOLDER TAILS TO BE 0.1mm MAX.
- 一般公差
GENERAL TOLERANCES
10 UNDER: ±0.2
10 OVER 30 UNDER: ±0.25
30 OVER: ±0.3
ANGULAR: ±1°

INITIAL REVISION:
DRWN SHSHIBATA 2009/02/18
CHECK HKOMATSU 2009/02/18
APPR AKANESHIGE 2009/02/18

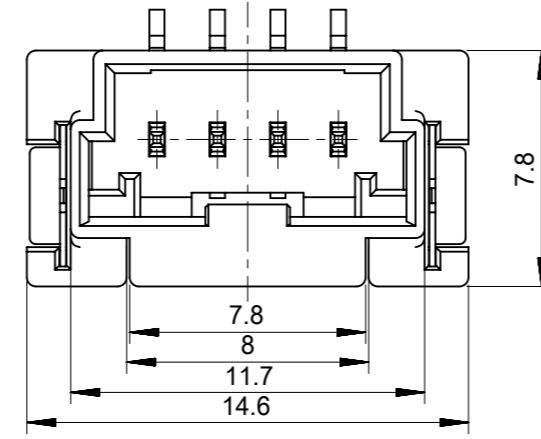
THIS DRAWING CONTAINS INFORMATION THAT IS PROPRIETARY TO MOLEX ELECTRONIC TECHNOLOGIES, LLC AND SHOULD NOT BE USED WITHOUT WRITTEN PERMISSION		CURRENT REV DESC:		molex	
DIMENSION UNITS: mm		SCALE: 5:1			
GENERAL TOLERANCES (UNLESS SPECIFIED)		EC NO: 628767		2.0MM PITCH W/B CONN. WAFER ASSY ST. SMT	
4 PLACES ±		DRWN: MSATO08 2019/12/09		PRODUCT CUSTOMER DRAWING	
3 PLACES ±		CHK'D: HIJIMA 2019/12/10		DOCUMENT NUMBER: SD-560020-001	
2 PLACES ±		APPR: TOSADA 2019/12/13		DOC TYPE: PSD	
1 PLACE ±		INITIAL REVISION:		DOC PART: 001	
0 PLACES ±		DRWN: SHSHIBATA 2009/02/18		REVISION: J	
ANGULAR TOL ± °		APPR: AKANESHIGE 2009/02/18		SHEET NUMBER: 1 OF 4	
DRAFT WHERE APPLICABLE MUST REMAIN WITHIN DIMENSIONS		THIRD ANGLE PROJECTION		MATERIAL NUMBER: SEE CHART	
		DRAWING: A3-SIZE		CUSTOMER: GENERAL MARKET	
		SERIES: 560020			



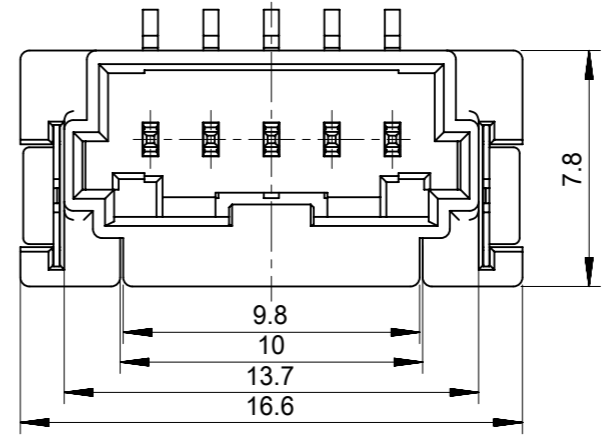
2CKTS



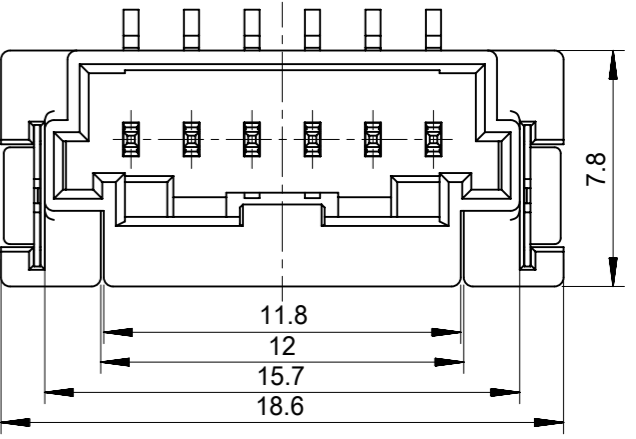
3CKTS



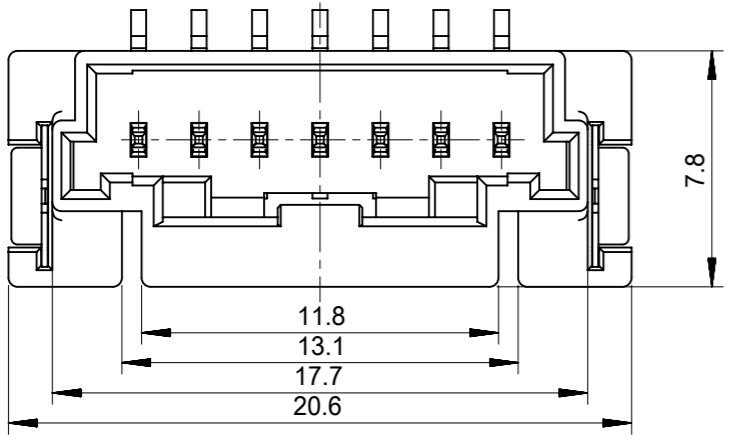
4CKTS



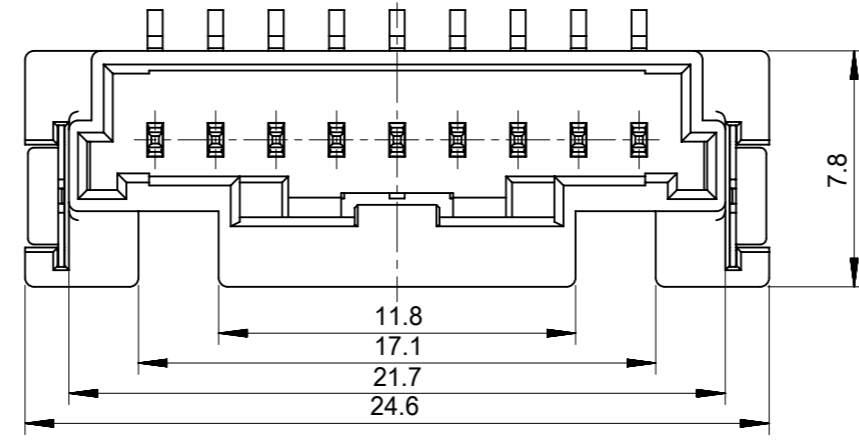
5CKTS



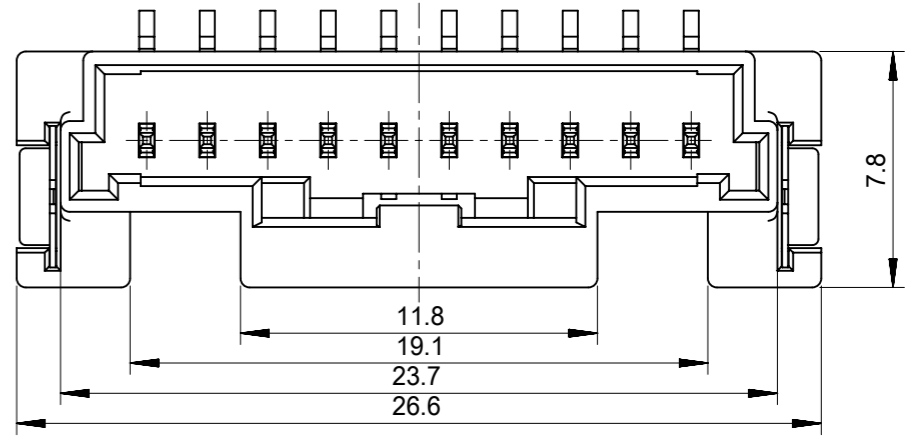
6CKTS



7CKTS



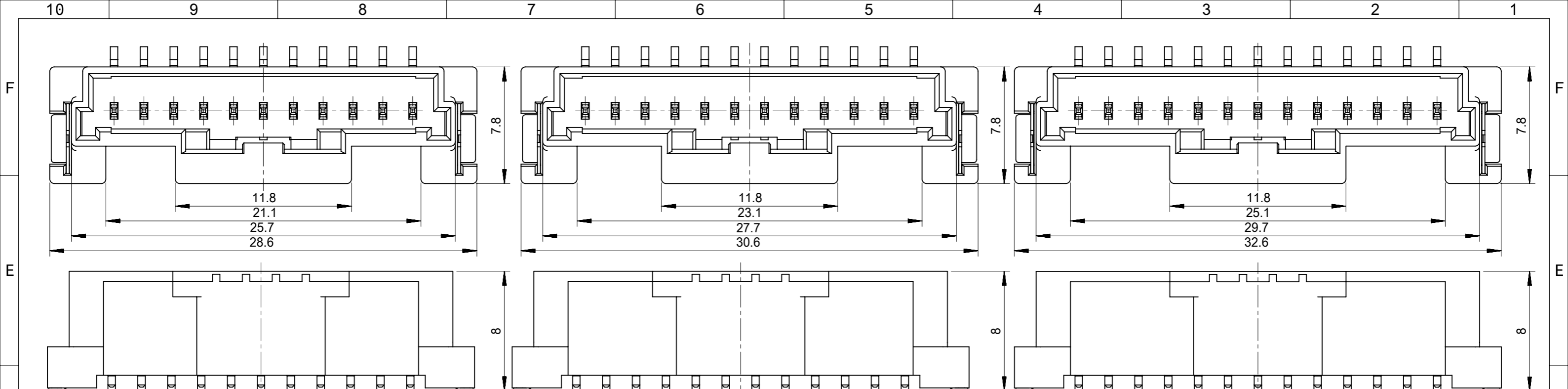
9CKTS



10CKTS

THIS DRAWING CONTAINS INFORMATION THAT IS PROPRIETARY TO MOLEX ELECTRONIC TECHNOLOGIES, LLC AND SHOULD NOT BE USED WITHOUT WRITTEN PERMISSION		CURRENT REV DESC:		molex	
DIMENSION UNITS	SCALE	EC NO: 628767			
mm	4:1	DRWN: MSATO08 2019/12/09		PRODUCT CUSTOMER DRAWING	
GENERAL TOLERANCES (UNLESS SPECIFIED)		CHK'D: HIJIMA 2019/12/10		DOCUMENT NUMBER	
		APPR: TOSADA 2019/12/13		SD-560020-001	
		INITIAL REVISION:		DOC TYPE	
		DRWN: SHSHIBATA 2009/02/18		PSD	
		CHECK HKOMATSU 2009/02/18		DOC PART	
		APPR: AKANESHIGE 2009/02/18		001	
		ANGULAR TOL		REVISION	
		DRAFT WHERE APPLICABLE MUST REMAIN WITHIN DIMENSIONS		J	
		THIRD ANGLE PROJECTION		SHEET NUMBER	
		DRAWING		2 OF 4	
		SERIES			
		A3-SIZE			
		560020			
		MATERIAL NUMBER			
		SEE CHART			
		CUSTOMER			
		GENERAL MARKET			

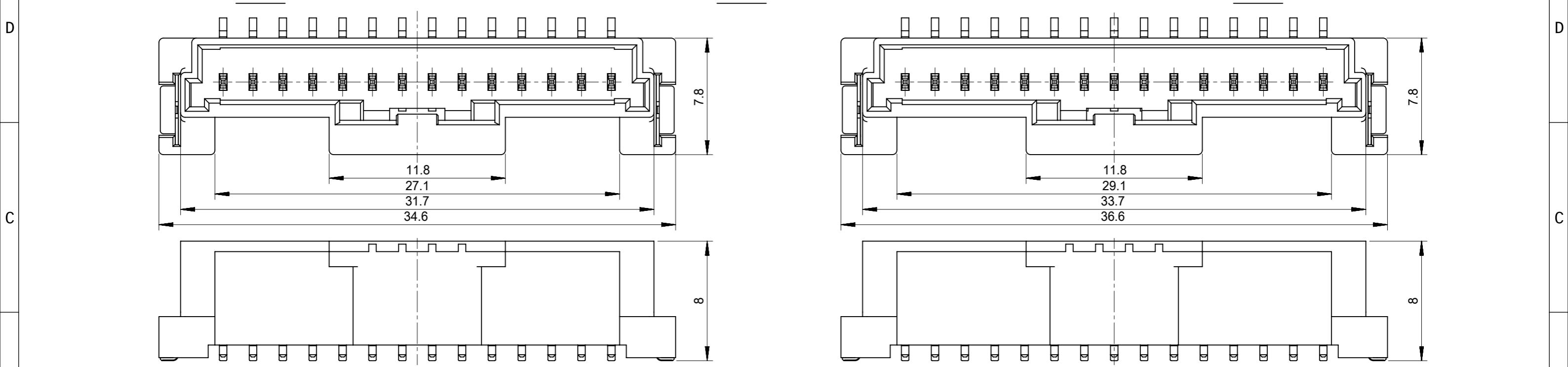
INITIAL REVISION:
 DRWN SHSHIBATA 2009/02/18
 CHECK HKOMATSU 2009/02/18
 APPR AKANESHIGE 2009/02/18



11CKTS

12CKTS

13CKTS



14CKTS

15CKTS

THIS DRAWING CONTAINS INFORMATION THAT IS PROPRIETARY TO MOLEX ELECTRONIC TECHNOLOGIES, LLC AND SHOULD NOT BE USED WITHOUT WRITTEN PERMISSION		SCALE		CURRENT REV DESC:		molex	
DIMENSION UNITS		4:1					
GENERAL TOLERANCES (UNLESS SPECIFIED)				EC NO: 628767		2.0MM PITCH W/B CONN. WAFER ASSY ST. SMT	
				DRWN: MSATO08		2019/12/09	
				CHK'D: HIJIMA		2019/12/10	
				APPR: TOSADA		2019/12/13	
				INITIAL REVISION:		PRODUCT CUSTOMER DRAWING	
				DRWN: SHSHIBATA		DOCUMENT NUMBER	
				APPR: AKANESHIGE		SD-560020-001	
				2009/02/18		DOC TYPE	
				2009/02/19		PSD	
				ANGULAR TOL		DOC PART	
				DRAFT WHERE APPLICABLE		001	
				MUST REMAIN WITHIN DIMENSIONS		J	
				THIRD ANGLE PROJECTION		REVISION	
				DRAWING		SERIES	
				A3-SIZE		560020	
				MATERIAL NUMBER		CUSTOMER	
				SEE CHART		GENERAL MARKET	
				SHEET NUMBER		3 OF 4	

INITIAL REVISION:
 DRWN SHSHIBATA 2009/02/18
 CHECK HKOMATSU 2009/02/18
 APPR AKANESHIGE 2009/02/18

Sn NATURAL	11.8	29.1	33.7	36.6	560020-1520	15
	11.8	27.1	31.7	34.6	560020-1420	14
	11.8	25.1	29.7	32.6	560020-1320	13
	11.8	23.1	27.7	30.6	560020-1220	12
	11.8	21.1	25.7	28.6	560020-1120	11
	11.8	19.1	23.7	26.6	560020-1020	10
	11.8	17.1	21.7	24.6	560020-0920	9
	11.8	15.1	19.7	22.6	560020-0820	8
	11.8	13.1	17.7	20.6	560020-0720	7
	11.8	12	15.7	18.6	560020-0620	6
	9.8	10	13.7	16.6	560020-0520	5
	7.8	8	11.7	14.6	560020-0420	4
	5.8	6	9.7	12.6	560020-0320	3
	6.3	/	8.0	10.9	560020-0220	2
PLATING COLOR	D	C	B	A	EMBOSSED PACKAGE ORDER NO.	CKTS
CONNECTOR SERIES NO. 560020-**08						

Au NATURAL	11.8	29.1	33.7	36.6	560020-1530	15
	11.8	27.1	31.7	34.6	560020-1430	14
	11.8	25.1	29.7	32.6	560020-1330	13
	11.8	23.1	27.7	30.6	560020-1230	12
	11.8	21.1	25.7	28.6	560020-1130	11
	11.8	19.1	23.7	26.6	560020-1030	10
	11.8	17.1	21.7	24.6	560020-0930	9
	11.8	15.1	19.7	22.6	560020-0830	8
	11.8	13.1	17.7	20.6	560020-0730	7
	11.8	12	15.7	18.6	560020-0630	6
	9.8	10	13.7	16.6	560020-0530	5
	7.8	8	11.7	14.6	560020-0430	4
	5.8	6	9.7	12.6	560020-0330	3
	6.3	/	8.0	10.9	560020-0230	2
PLATING COLOR	D	C	B	A	EMBOSSED PACKAGE ORDER NO.	CKTS
CONNECTOR SERIES NO. 560020-**18						

Sn BLACK	11.8	29.1	33.7	36.6	560020-1521	15
	11.8	27.1	31.7	34.6	560020-1421	14
	11.8	25.1	29.7	32.6	560020-1321	13
	11.8	23.1	27.7	30.6	560020-1221	12
	11.8	21.1	25.7	28.6	560020-1121	11
	11.8	19.1	23.7	26.6	560020-1021	10
	11.8	17.1	21.7	24.6	560020-0921	9
	11.8	15.1	19.7	22.6	560020-0821	8
	11.8	13.1	17.7	20.6	560020-0721	7
	11.8	12	15.7	18.6	560020-0621	6
	9.8	10	13.7	16.6	560020-0521	5
	7.8	8	11.7	14.6	560020-0421	4
	5.8	6	9.7	12.6	560020-0321	3
	6.3	/	8.0	10.9	560020-0221	2
PLATING COLOR	D	C	B	A	EMBOSSED PACKAGE ORDER NO.	CKTS
CONNECTOR SERIES NO. 560020-**28						

Sn RED	/	/	/	/	/	15
	/	/	/	/	/	14
	/	/	/	/	/	13
	/	/	/	/	/	12
	/	/	/	/	/	11
	/	/	/	/	/	10
	/	/	/	/	/	9
	11.8	15.1	19.7	22.6	560020-0822	8
	/	/	/	/	/	7
	11.8	12	15.7	18.6	560020-0622	6
	/	/	/	/	/	5
	7.8	8	11.7	14.6	560020-0422	4
	5.8	6	9.7	12.6	560020-0322	3
	6.3	/	8.0	10.9	560020-0222	2
PLATING COLOR	D	C	B	A	EMBOSSED PACKAGE ORDER NO.	CKTS
CONNECTOR SERIES NO. 560020-**48						

Sn BLUE	/	/	/	/	/	15
	/	/	/	/	/	14
	/	/	/	/	/	13
	/	/	/	/	/	12
	/	/	/	/	/	11
	/	/	/	/	/	10
	/	/	/	/	/	9
	11.8	15.1	19.7	22.6	560020-0823	8
	/	/	/	/	/	7
	11.8	12	15.7	18.6	560020-0623	6
	/	/	/	/	/	5
	7.8	8	11.7	14.6	560020-0423	4
	5.8	6	9.7	12.6	560020-0323	3
	6.3	/	8.0	10.9	560020-0223	2
PLATING COLOR	D	C	B	A	EMBOSSED PACKAGE ORDER NO.	CKTS
CONNECTOR SERIES NO. 560020-**68						

INITIAL REVISION:
 DRWN SHSHIBATA 2009/02/18
 CHECK HKOMATSU 2009/02/18
 APPR AKANESHIGE 2009/02/18

THIS DRAWING CONTAINS INFORMATION THAT IS PROPRIETARY TO MOLEX ELECTRONIC TECHNOLOGIES, LLC AND SHOULD NOT BE USED WITHOUT WRITTEN PERMISSION	
DIMENSION UNITS: mm	SCALE: 1:1
GENERAL TOLERANCES (UNLESS SPECIFIED)	
4 PLACES: ±	MM INCH
3 PLACES: ±	
2 PLACES: ±	
1 PLACE: ±	
0 PLACES: ±	
ANGULAR TOL: ± °	
DRAFT WHERE APPLICABLE MUST REMAIN WITHIN DIMENSIONS	
THIRD ANGLE PROJECTION	
DRAWING: A3-SIZE	SERIES: 560020
MATERIAL NUMBER: SEE CHART	
CUSTOMER: GENERAL MARKET	
SHEET NUMBER: 4 OF 4	

CURRENT REV DESC:

EC NO: 628767
 DRWN: MSATO08 2019/12/09
 CHK'D: HIJIMA 2019/12/10
 APPR: TOSADA 2019/12/13

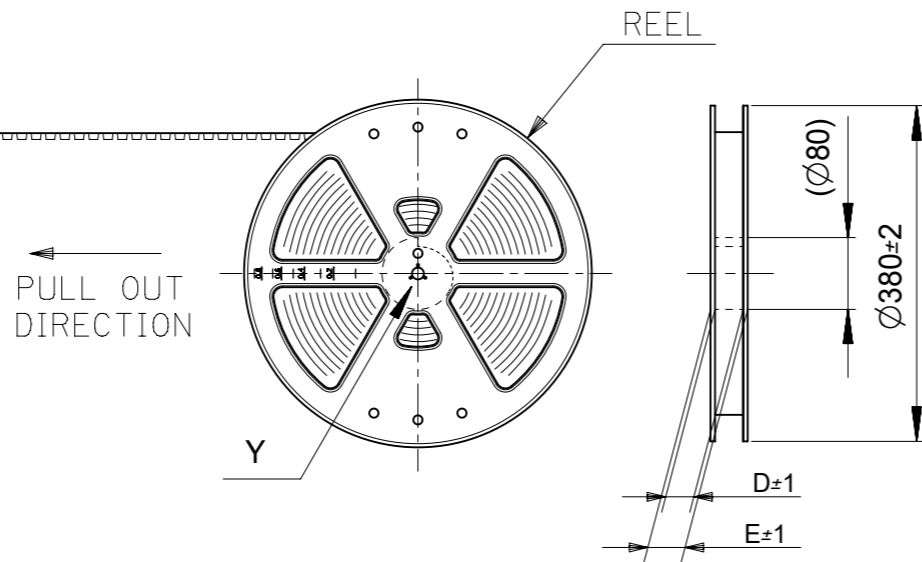
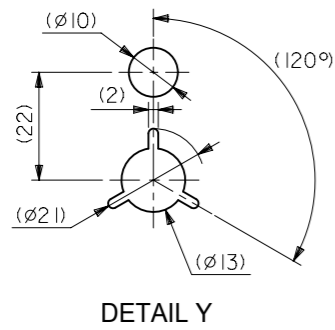
INITIAL REVISION:
 DRWN: SHSHIBATA 2009/02/18
 APPR: AKANESHIGE 2009/02/19

molex

2.0MM PITCH W/B CONN.
 WAFER ASSY ST. SMT

PRODUCT CUSTOMER DRAWING

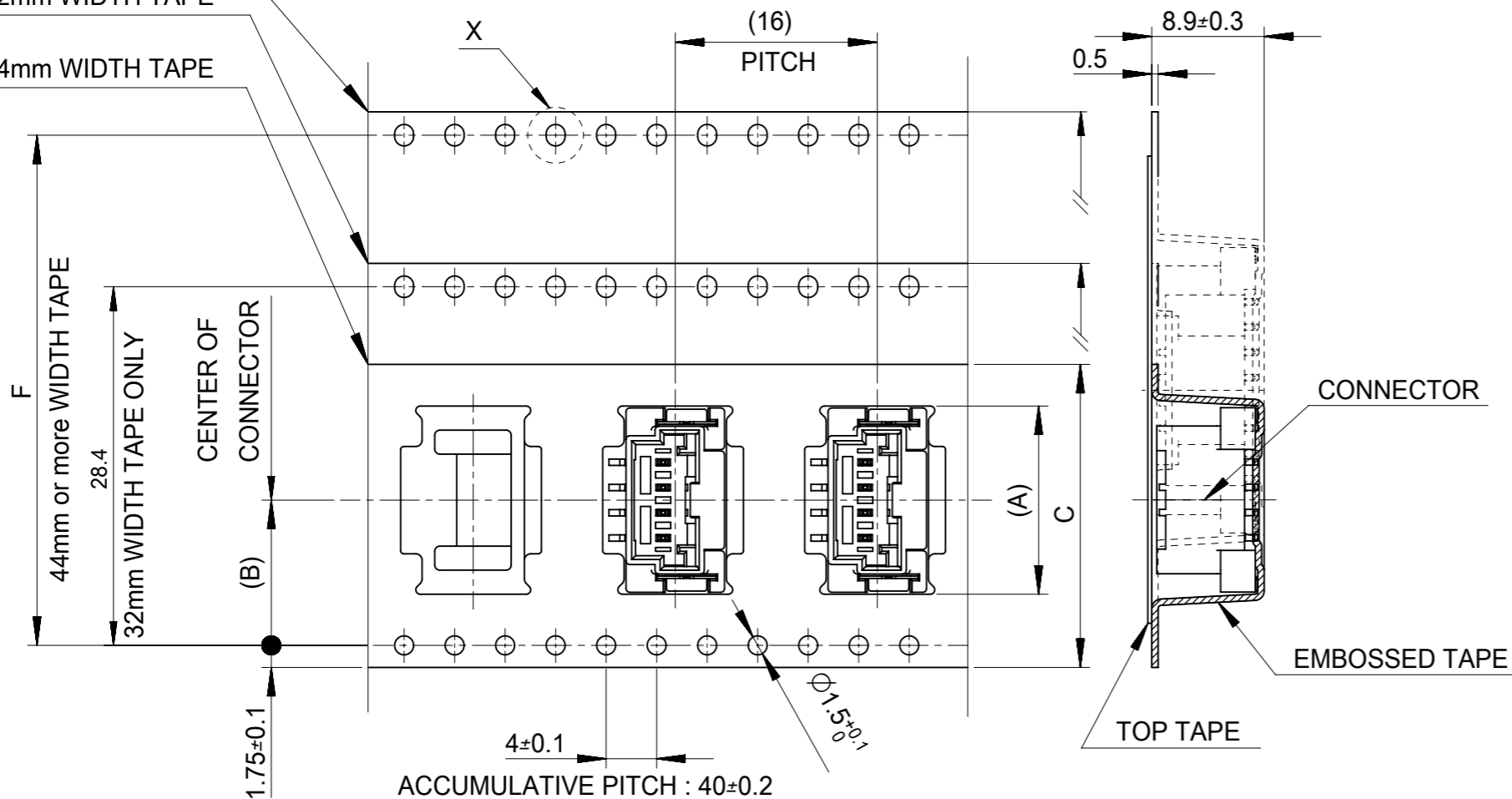
DOCUMENT NUMBER: SD-560020-001 | DOC TYPE: PSD | DOC PART: 001 | REVISION: J



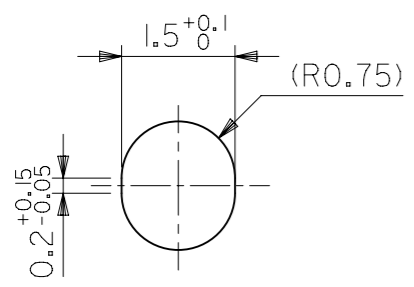
44mm or more
WIDTH TAPE

32mm WIDTH TAPE

24mm WIDTH TAPE



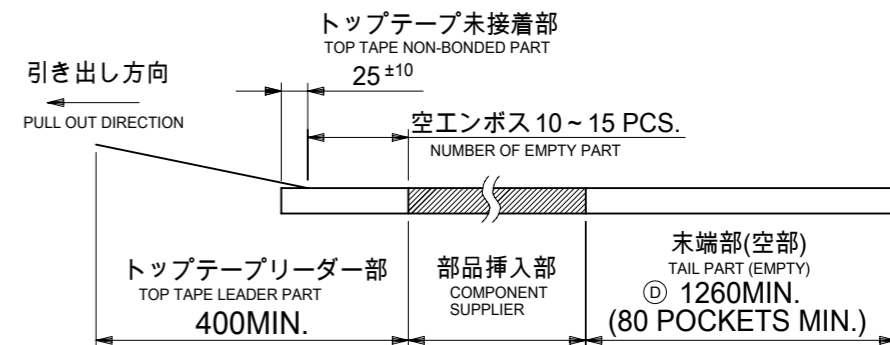
PULL OUT DIRECTION
DIRECTION OF CONNECTOR
IN EMBOSSSED TAPE



DETAIL X
(SCALE 10:1)

NOTES

- 製品番号:
 ナチュラル・錫めっき 560020-**20
 ナチュラル・金めっき 560020-**30
 黒・錫めっき 560020-**21
 赤・錫めっき 560020-**22
 青・錫めっき 560020-**23
 詳細寸法については、製品単体図面を参照ください。
 PART NO.
 NATURAL・Sn Plating 5600020-**20
 NATURAL・Au Plating 560020-**30
 BLACK・Sn Plating 5600020-**21
 RED・Sn Plating 5600020-**22
 BLUE・Sn Plating 5600020-**23
 SEE SALES DRAWING FOR CONNECTOR
- 梱包数量: 650個/REEL
 NUMBER OF CONNECTORS 650 PCS/REEL
- リードテープ長さ
 LEAD TAPE LENGTH



- 材料
 MATERIAL
 キャリアテープ: ポリスチレン
 CARRIER TAPE: POLYSTYRENE
 トップテープ: PET, PE, PEF
 TOP TAPE
 リール: ポリスチレン
 REEL: POLYSTYRENE
- 一般公差
 GENERAL TOLERANCES
 10 UNDER: ±0.2
 10 OVER 30 UNDER: ±0.25
 30 OVER: ±0.3
 ANGULAR: ±1°

THIS DRAWING CONTAINS INFORMATION THAT IS PROPRIETARY TO MOLEX ELECTRONIC TECHNOLOGIES, LLC AND SHOULD NOT BE USED WITHOUT WRITTEN PERMISSION											
DIMENSION UNITS		SCALE		CURRENT REV DESC:						molex	
mm		NTS									
GENERAL TOLERANCES (UNLESS SPECIFIED)				EC NO: 629663		DRWN: MSATO08		2019/12/26		2.0MM PITCH W/B ST. WAFER ASSY EMBOSSSED TAPE PACKAGE	
4 PLACES ±				CHK'D: HIJIMA		2019/12/27		PRODUCT CUSTOMER DRAWING			
3 PLACES ±				APPR: TOSADA		2019/12/27		DOCUMENT NUMBER		DOC TYPE DOC PART REVISION	
2 PLACES ±				INITIAL REVISION:				SD-560020-003		PSD 001 F1	
1 PLACE ±				DRWN: YTAMAKI		2014/05/23		MATERIAL NUMBER		CUSTOMER	
0 PLACES ±				APPR: MAYAMAMOTO		2014/06/30		SEE CHART		GENERAL MARKET	
ANGULAR TOL ± °				THIRD ANGLE PROJECTION		DRAWING		SERIES		SHEET NUMBER	
DRAFT WHERE APPLICABLE MUST REMAIN WITHIN DIMENSIONS				A3-SIZE		560020		1 OF 2			

Sn NATURAL	52.4	61.4	57.4	56	26.2	36.9	560020-1520	15
						34.9	560020-1420	14
						32.9	560020-1320	13
	40.4	49.4	45.4	44	20.2	30.9	560020-1220	12
						28.9	560020-1120	11
						26.9	560020-1020	10
						24.9	560020-0920	09
						22.9	560020-0820	08
						20.9	560020-0720	07
						18.9	560020-0620	06
	28.4	37.4	33.4	32	14.2	16.9	560020-0520	05
						14.9	560020-0420	04
						12.9	560020-0320	03
	29.4	25.4	24	11.5	11.2	560020-0220	02	
PLATING COLOR	F	E	D	C	(B)	(A)	エンボス梱包品 製品番号 EMBOSSED PACKAGE MATERIAL NO.	CIRCUITS

Au NATURAL	52.4	61.4	57.4	56	26.2	36.9	560020-1530	15
						34.9	560020-1430	14
						32.9	560020-1330	13
	40.4	49.4	45.4	44	20.2	30.9	560020-1230	12
						28.9	560020-1130	11
						26.9	560020-1030	10
						24.9	560020-0930	09
						22.9	560020-0830	08
						20.9	560020-0730	07
						18.9	560020-0630	06
	28.4	37.4	33.4	32	14.2	16.9	560020-0530	05
						14.9	560020-0430	04
						12.9	560020-0330	03
	29.4	25.4	24	11.5	11.2	560020-0230	02	
PLATING COLOR	F	E	D	C	(B)	(A)	エンボス梱包品 製品番号 EMBOSSED PACKAGE MATERIAL NO.	CIRCUITS

Sn BLACK	52.4	61.4	57.4	56	26.2	36.9	560020-1521	15
						34.9	560020-1421	14
						32.9	560020-1321	13
	40.4	49.4	45.4	44	20.2	30.9	560020-1221	12
						28.9	560020-1121	11
						26.9	560020-1021	10
						24.9	560020-0921	09
						22.9	560020-0821	08
						20.9	560020-0721	07
						18.9	560020-0621	06
	28.4	37.4	33.4	32	14.2	16.9	560020-0521	05
						14.9	560020-0421	04
						12.9	560020-0321	03
	29.4	25.4	24	11.5	11.2	560020-0221	02	
PLATING COLOR	F	E	D	C	(B)	(A)	エンボス梱包品 製品番号 EMBOSSED PACKAGE MATERIAL NO.	CIRCUITS

Sn RED	52.4	61.4	57.4	56	26.2	36.9	560020-1521	15
						34.9	560020-1421	14
						32.9	560020-1321	13
	40.4	49.4	45.4	44	20.2	30.9	560020-1221	12
						28.9	560020-1121	11
						26.9	560020-1021	10
						24.9	560020-0921	09
						22.9	560020-0822	08
						20.9	560020-0721	07
						18.9	560020-0622	06
	28.4	37.4	33.4	32	14.2	16.9	560020-0521	05
						14.9	560020-0422	04
						12.9	560020-0322	03
	29.4	25.4	24	11.5	11.2	560020-0222	02	
PLATING COLOR	F	E	D	C	(B)	(A)	エンボス梱包品 製品番号 EMBOSSED PACKAGE MATERIAL NO.	CIRCUITS

Sn BLUE	52.4	61.4	57.4	56	26.2	36.9	560020-1521	15
						34.9	560020-1421	14
						32.9	560020-1321	13
	40.4	49.4	45.4	44	20.2	30.9	560020-1221	12
						28.9	560020-1121	11
						26.9	560020-1021	10
						24.9	560020-0921	09
						22.9	560020-0823	08
						20.9	560020-0721	07
						18.9	560020-0623	06
	28.4	37.4	33.4	32	14.2	16.9	560020-0521	05
						14.9	560020-0423	04
						12.9	560020-0323	03
	29.4	25.4	24	11.5	11.2	560020-0223	02	
PLATING COLOR	F	E	D	C	(B)	(A)	エンボス梱包品 製品番号 EMBOSSED PACKAGE MATERIAL NO.	CIRCUITS

THIS DRAWING CONTAINS INFORMATION THAT IS PROPRIETARY TO MOLEX ELECTRONIC TECHNOLOGIES, LLC AND SHOULD NOT BE USED WITHOUT WRITTEN PERMISSION	
DIMENSION UNITS mm	SCALE NTS
CURRENT REV DESC:	
molex	
2.0MM PITCH W/B ST. WAFER ASSY EMBOSSED TAPE PACKAGE	
PRODUCT CUSTOMER DRAWING	
GENERAL TOLERANCES (UNLESS SPECIFIED)	EC NO: 629663
4 PLACES ±	DRWN: MSATO08 2019/12/26
3 PLACES ±	CHK'D: HIJIMA 2019/12/27
2 PLACES ±	APPR: TOSADA 2019/12/27
1 PLACE ±	INITIAL REVISION:
0 PLACES ±	DRWN: YTAMAKI 2014/05/23
ANGULAR TOL ± °	APPR: MAYAMAMOTO 2014/06/30
DRAFT WHERE APPLICABLE MUST REMAIN WITHIN DIMENSIONS	THIRD ANGLE PROJECTION
DRAWING A3-SIZE	SERIES 560020
MATERIAL NUMBER SEE CHART	CUSTOMER GENERAL MARKET
DOCUMENT NUMBER SD-560020-003	DOC TYPE DOC PART REVISION PSD 001 F1
SHEET NUMBER 2 OF 2	