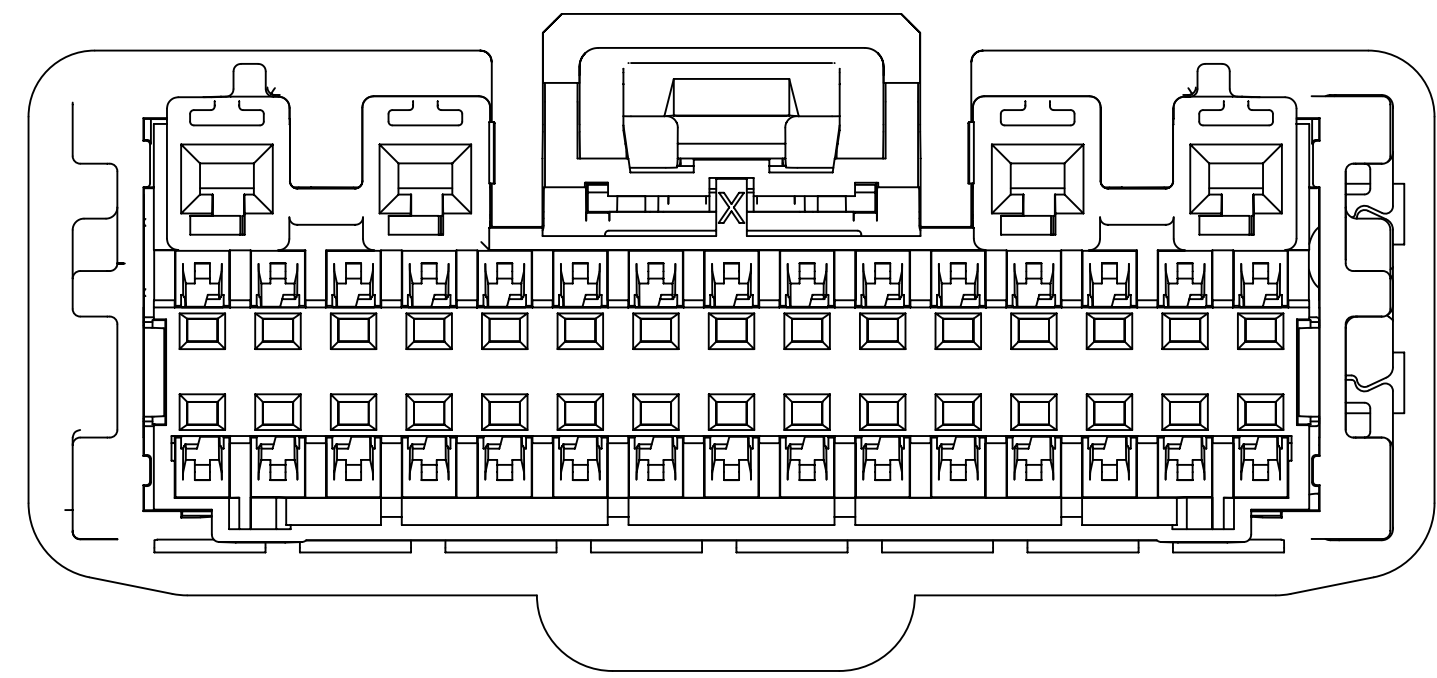


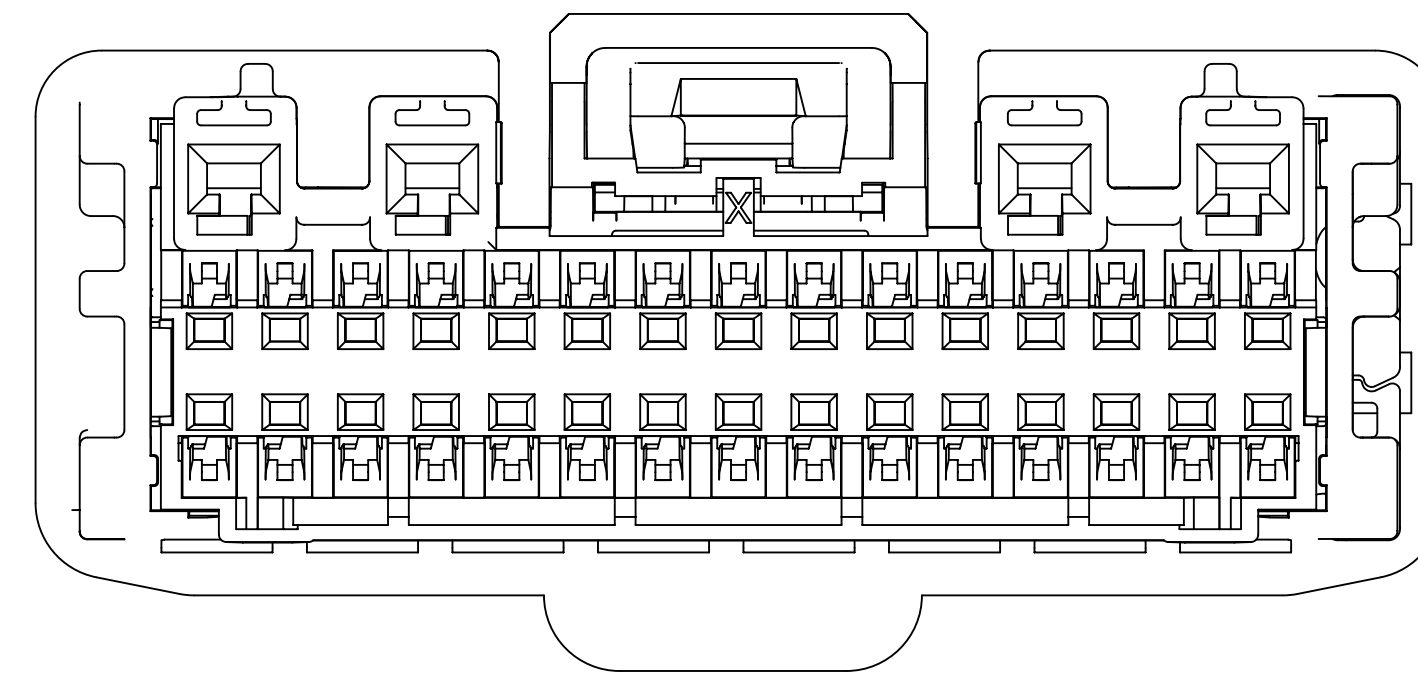
34 WAY POLARIZATION OPTION 'A'

P/N: 34959-0340



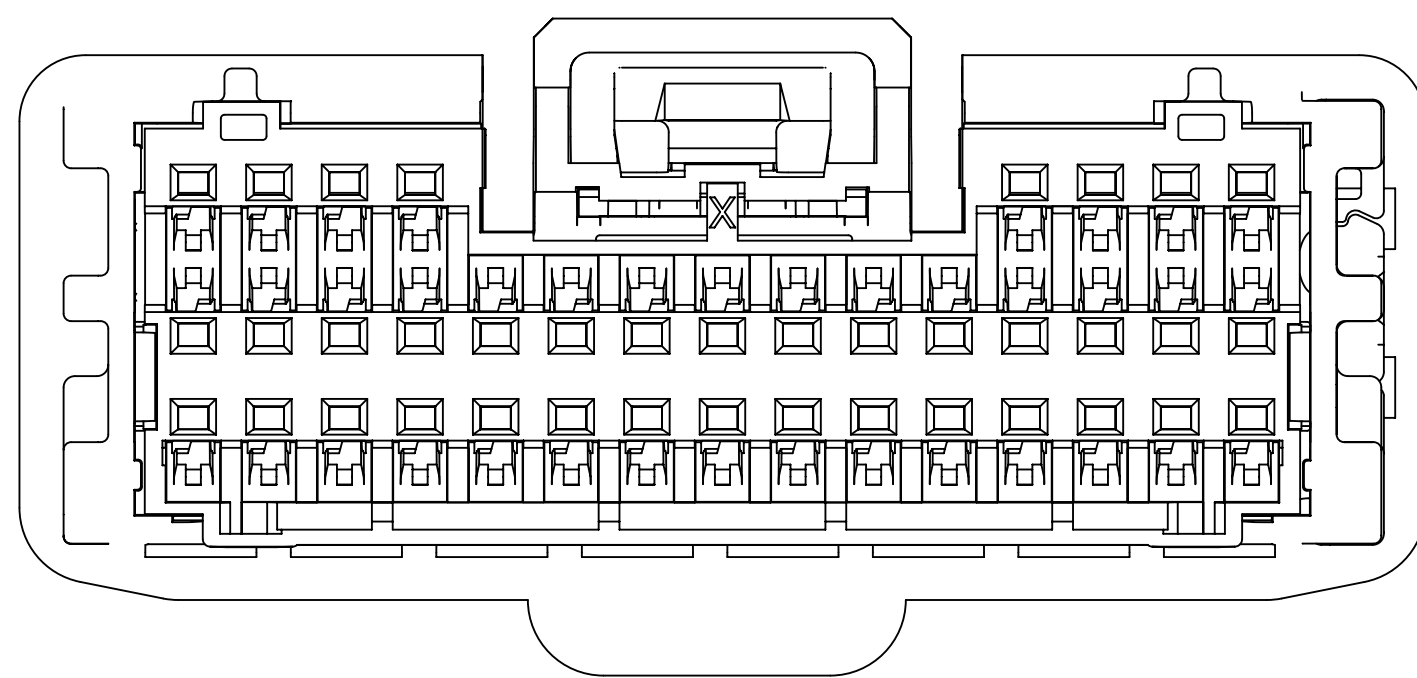
34 WAY POLARIZATION OPTION 'B'

P/N: 34959-0341



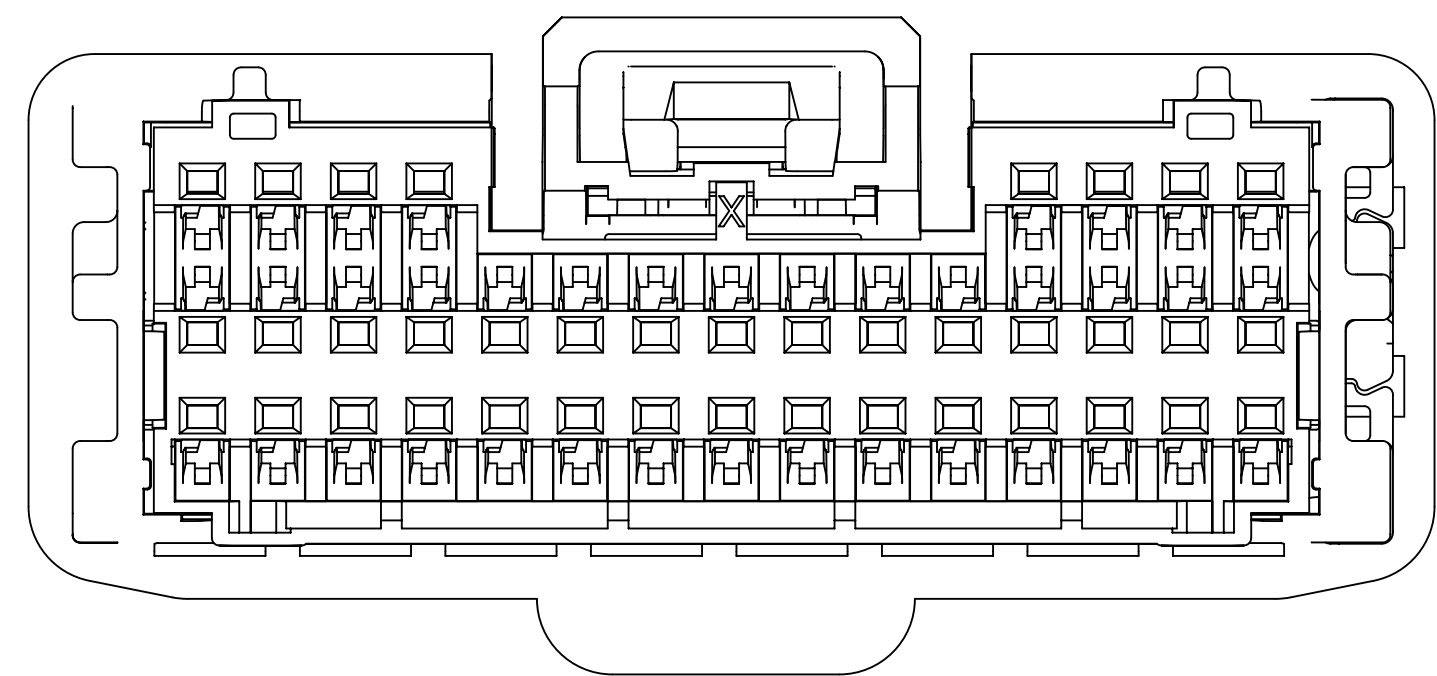
34 WAY POLARIZATION OPTION 'C'

P/N: 34959-0342



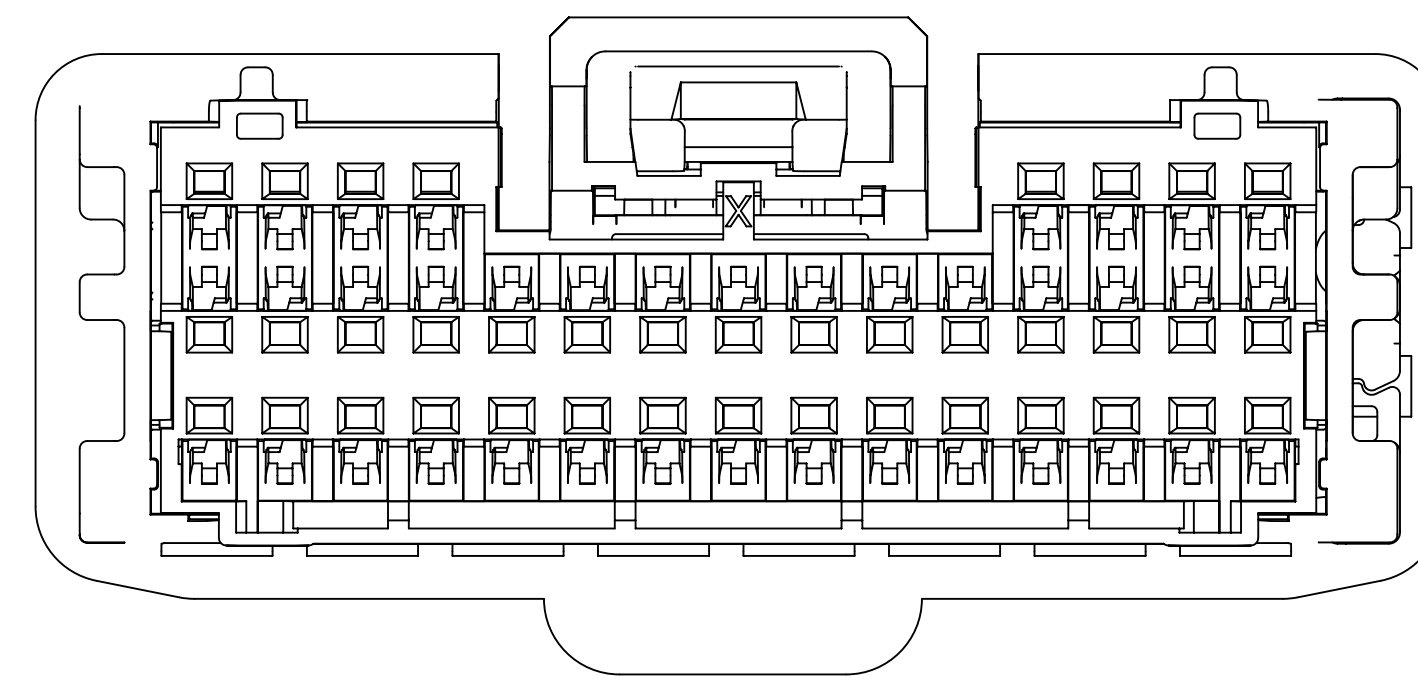
38 WAY POLARIZATION OPTION 'A'

P/N: 34959-0380



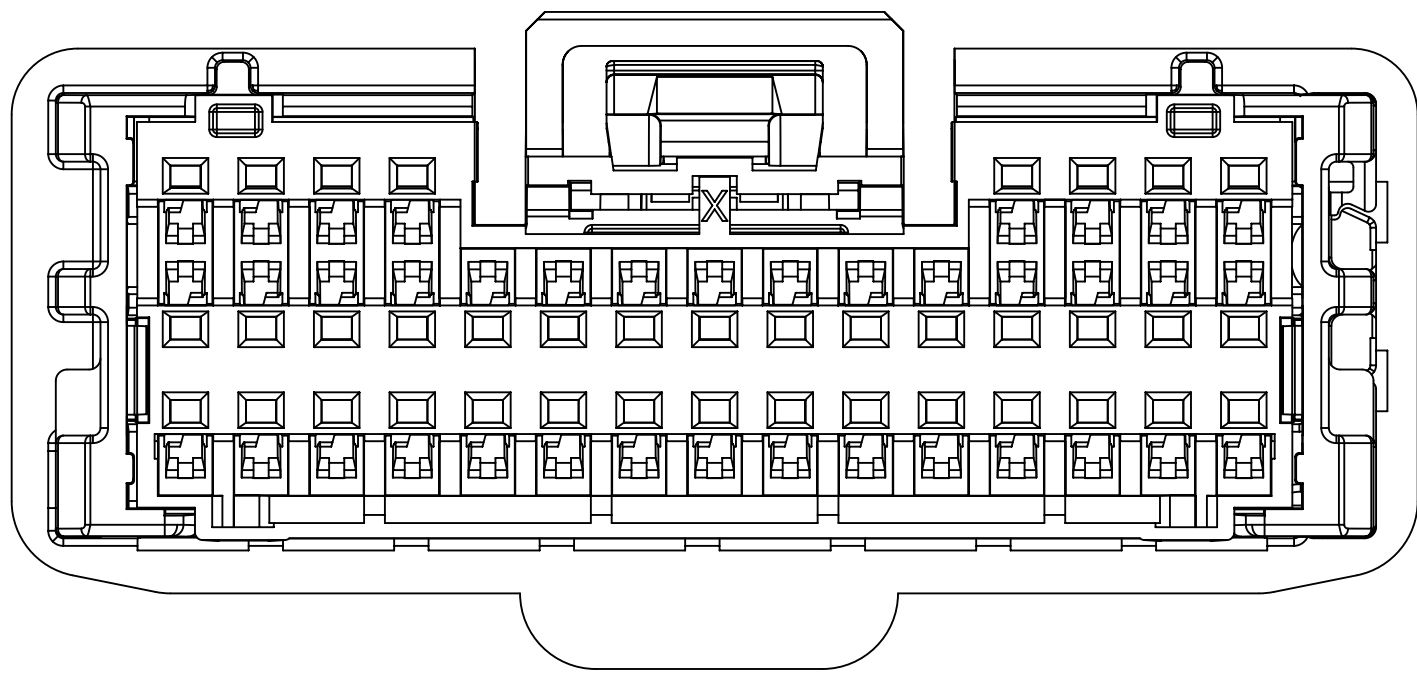
38 WAY POLARIZATION OPTION 'B'

P/N: 34959-0381



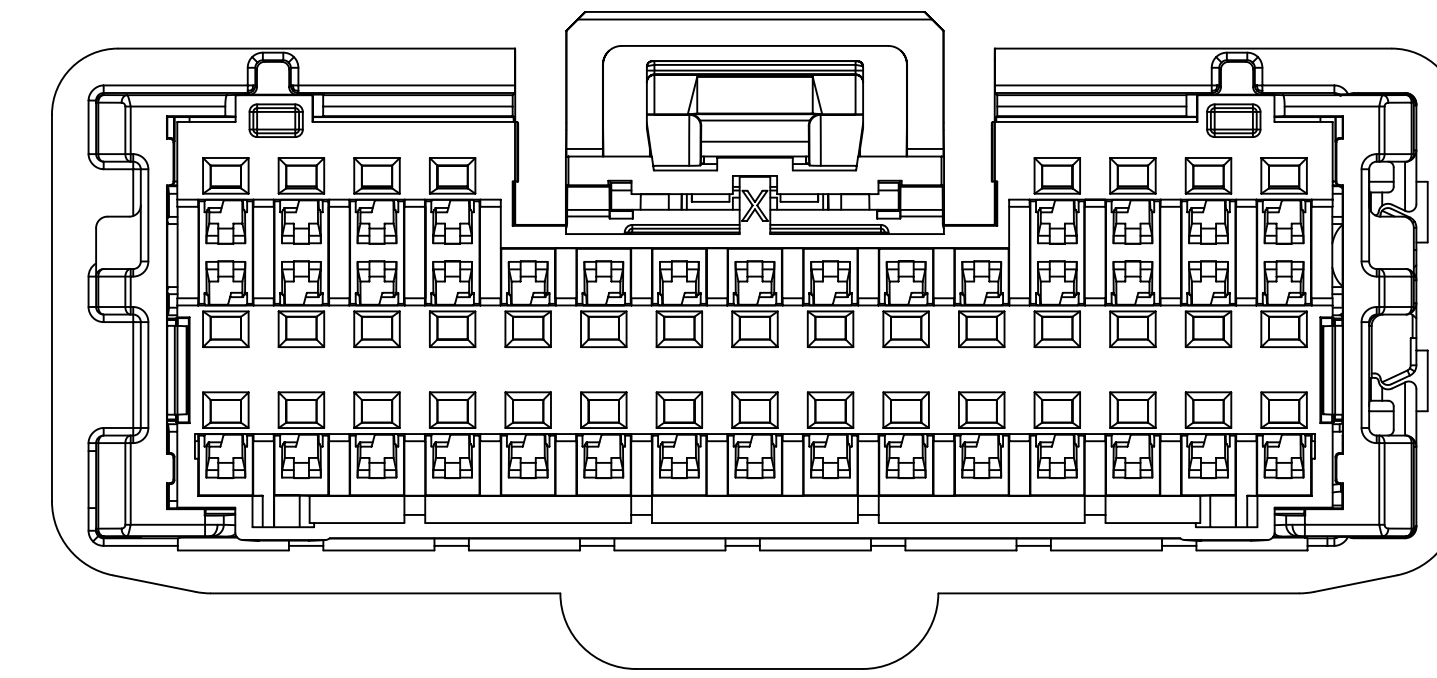
38 WAY POLARIZATION OPTION 'C'

P/N: 34959-0382



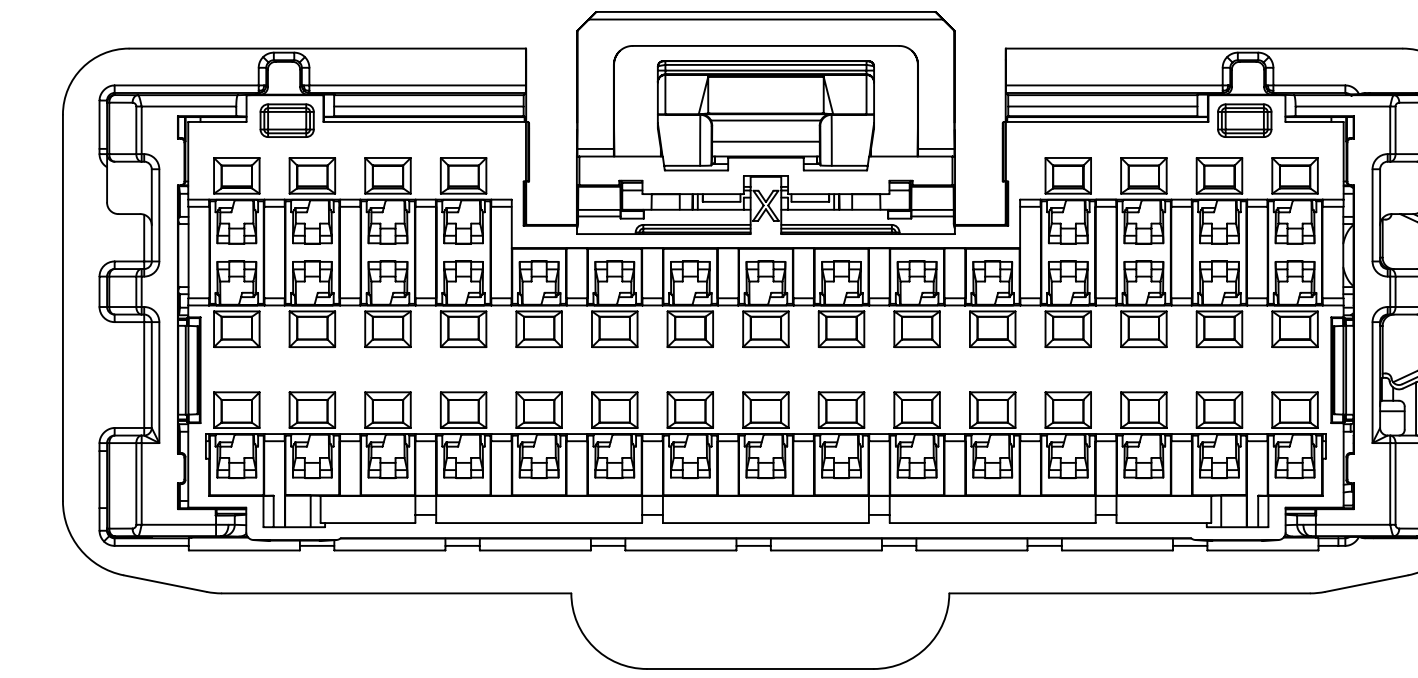
38 WAY POLARIZATION OPTION UPDATED 'A'

P/N: 34959-0383



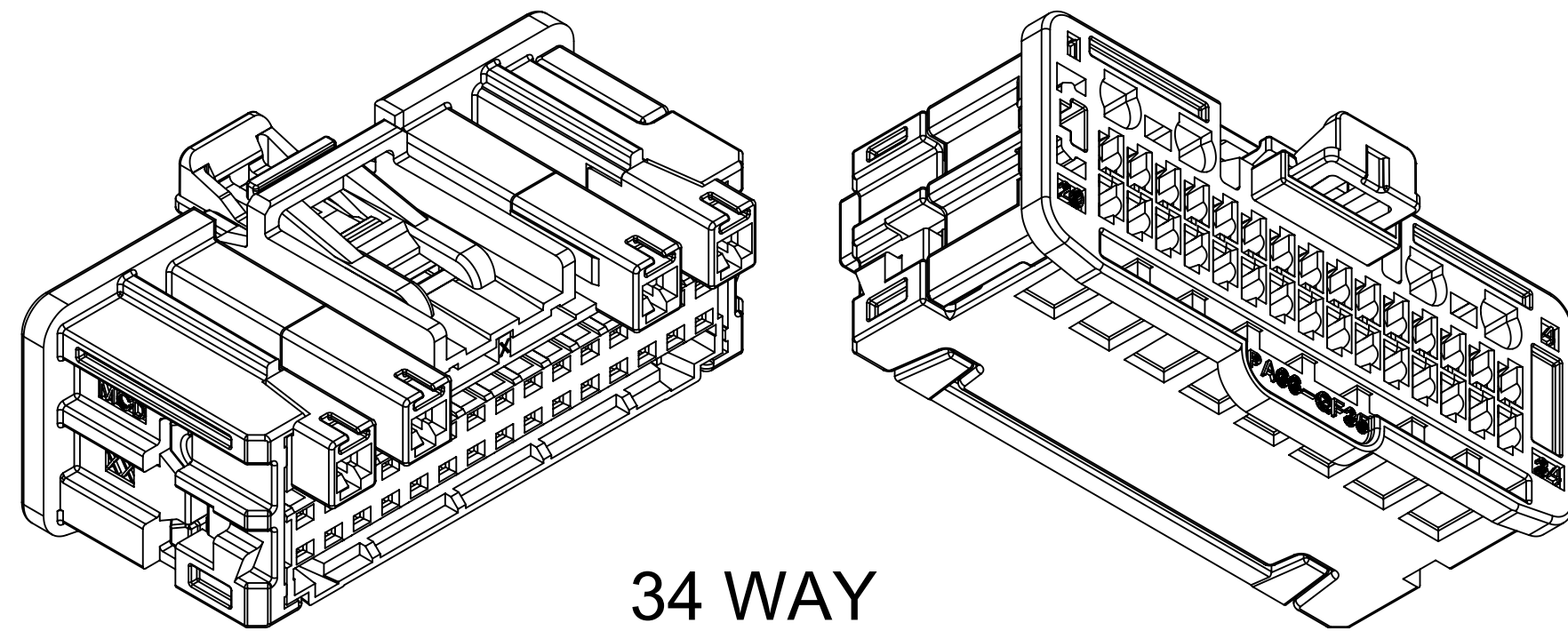
38 WAY POLARIZATION OPTION UPDATED 'B'

P/N: 34959-0384

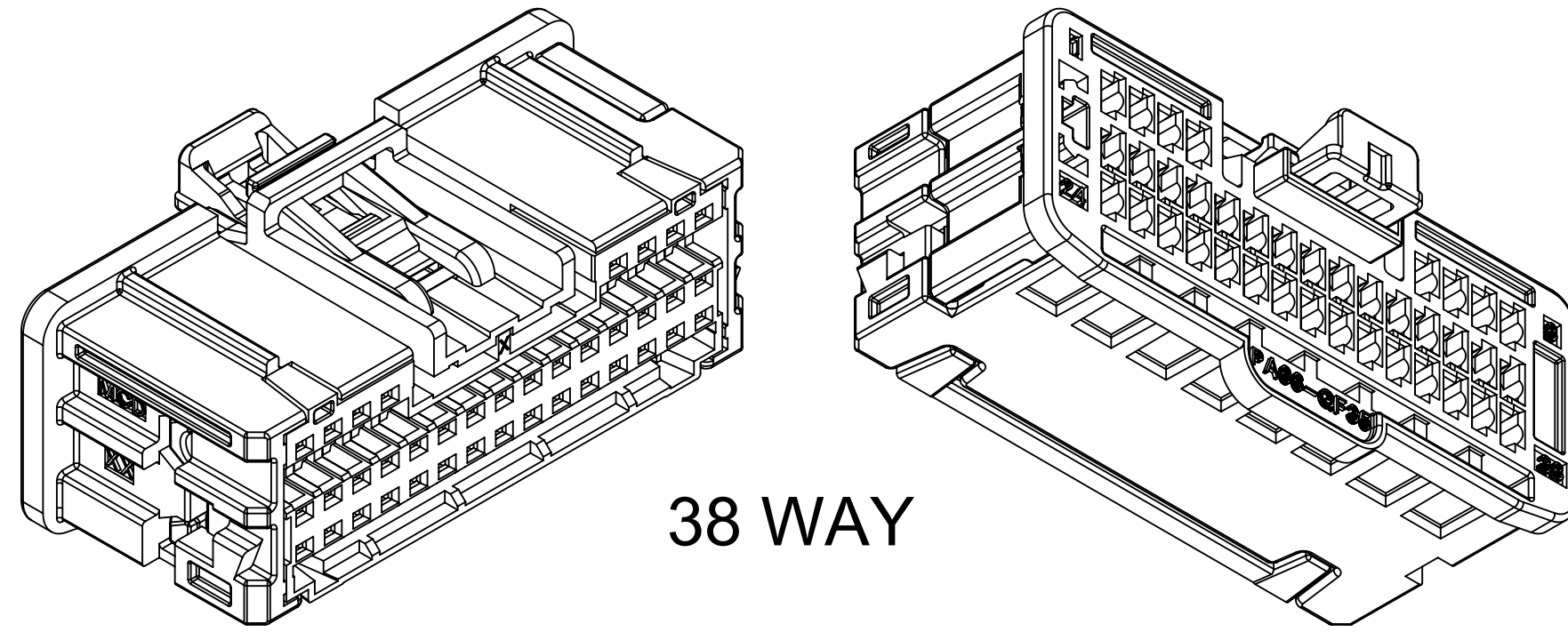


38 WAY POLARIZATION OPTION UPDATED 'C'

P/N: 34959-0385



34 WAY



38 WAY

ISOMETRIC VIEWS
SCALE 3:1
(POLARITY A SHOWN)

INSPECTION BALLOON NUMBER LOG

PER DRAWING REVISION: C4
LAST BALLOON NUMBER USED: 4
ADDED BALLOON NUMBERS:
REMOVED BALLOON NUMBERS:

NOTES: VALID UNLESS OTHERWISE SPECIFIED

1. GENERAL:
 - a. APPLICATION SPECIFICATION SEE: AS-34959-001
 - b. PRODUCT SPECIFICATION SEE: PS-34959-001
2. DESIGN - MATERIALS:
 - a. SEE BOM TABLE ON SHEET 2
3. DESIGN - GEOMETRY:
 - a. ALL GRAPHIC DATA IS BASIC (NO TOLERANCE) AND MUST BE TAKEN FROM THE DATA FILE AT ITS LATEST REVISION.
 - b. PRODUCT DESIGN MODEL NUMBER(S): SEE BOM TABLE ON SHEET 2
 - c. GEOMETRIC DIMENSIONS AND TOLERANCES PER ASME Y14.5X-2009
 - d. EDGES AND UNDIMENSIONED DETAILS PER ISO13715
 - e. CORNERS SHOWN AS SHARP TO BE R 0.2 MAX.
 - f. LETTERING SHALL BE 0.15 MAX RAISED IN 0.25 MAX RECESS PAD. THIS INCLUDES RECYCLING CODE, CAVITY ID, VENDOR IDENTIFICATION, AND CUSTOMER MATERIAL NUMBER.
4. DESIGN - MANUFACTURING:
 - a. VISUAL DEFECTS SHALL MEET COSMETIC STANDARD PS-45499-002 (Class B)
5. ISL IS SHIPPED IN SEATED POSITION AND MUST BE REMOVED PRIOR TO TERMINAL INSTALLATION

D	ADDED NEW VIEW OF UPDATED POL A & B & C, SEE SHEET 1. ADDED NEW P/N: 34959-0383 \ 34959-0384 \ 34959-0385 34959-0390\34959-0391\34959-0392 IN THE BOM ON SHEET 2. ADDED PRODUCT STATUS IN THE BOM ON SHEET 2. POL A&B&C DIFFERENCE WITH UPDATED POL A&B&C: ONLY REMOVED THE RIB FEATURE BESIDES LOCK LATCH, SEE SHEET 4.	10877382
REV	REV DESCRIPTION	ECN SAP NO.

THIS DRAWING CONTAINS INFORMATION THAT IS PROPRIETARY TO MOLEX ELECTRONIC TECHNOLOGIES, LLC AND SHOULD NOT BE USED WITHOUT WRITTEN PERMISSION

DIMENSION UNITS	SCALE	CURRENT REV DESC:	
mm	5:1		
GENERAL TOLERANCES (UNLESS SPECIFIED)		EC NO: 170137	
ANGULAR TOL	± 1.0°	DRWN: SWU31	2018/01/11
4 PLACES	±	CHK'D: CDZHANG	2018/03/02
3 PLACES	±	APPR: JDENG02	2018/03/08
2 PLACES	±	INITIAL REVISION:	
1 PLACE	±	DRWN: JFISCHER01	2012/08/17
0 PLACES	±	APPR: SMARCEAU	2012/08/21
DRAFT WHERE APPLICABLE MUST REMAIN WITHIN DIMENSIONS		THIRD ANGLE PROJECTION	DRAWING
		①	D-SIZE
		SERIES	34959
		MATERIAL NUMBER	CUSTOMER
		GENERAL MARKET	
		SHEET NUMBER	
		1 OF 4	

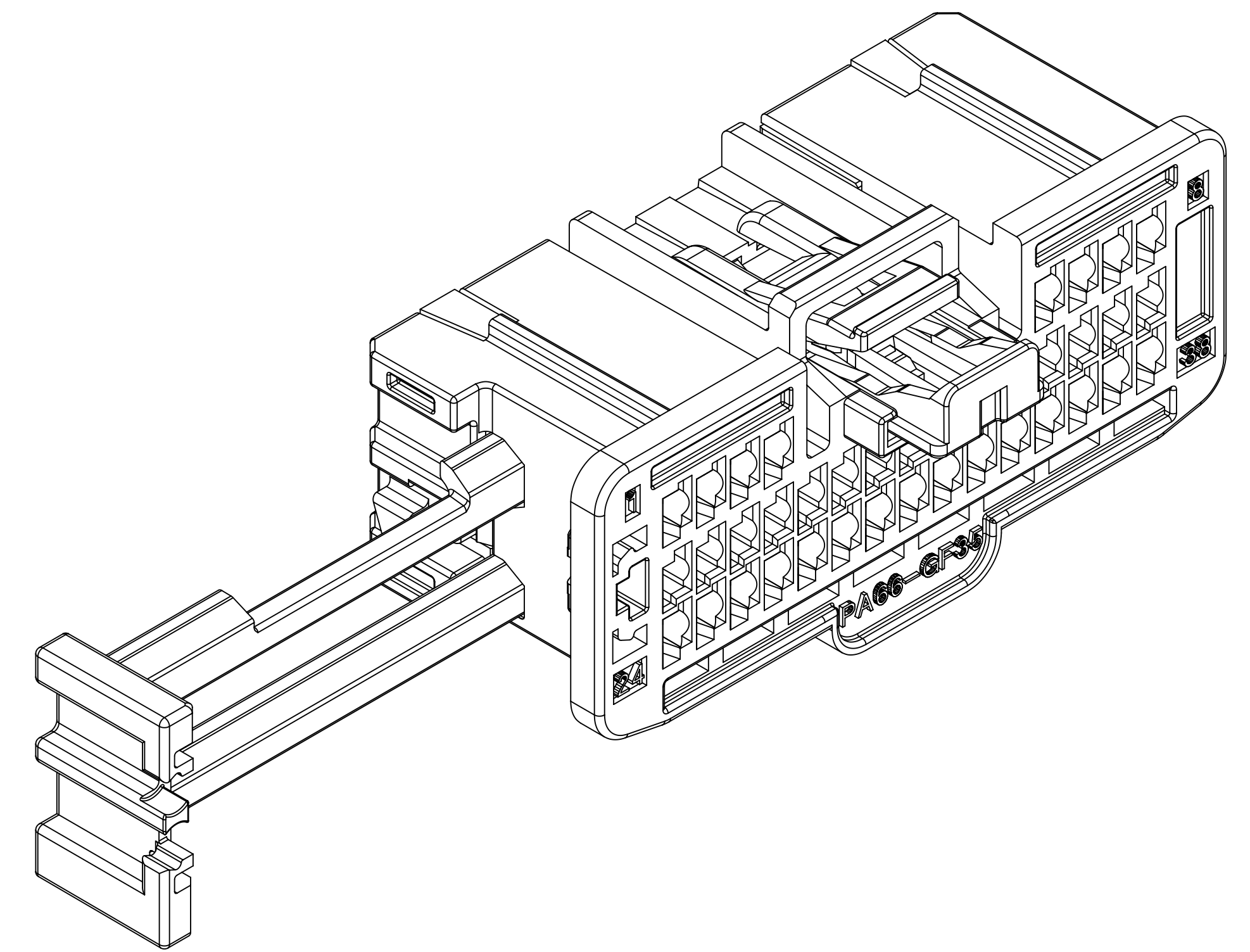
molex

34/38 WAY MINI50 FEMALE RECEPTACLE ASSEMBLY SALES DRAWING

PRODUCT CUSTOMER DRAWING

DOCUMENT NUMBER	DOC TYPE	DOC PART	REVISION
SD-34959-030	PSD	001	D

DESCRIPTION	COLOR	MOLEX ASSEMBLY PART NO.'S	MATING COMPONENT		Ⓢ STATUS
			VERTICAL HEADER	RIGHT ANGLE HEADER	
34WAY RECEPTACLE ASSEMBLY POL A W/ CPA	BLACK	34959-0340	34958-0340	34961-0340	SALEABLE
34WAY RECEPTACLE ASSEMBLY POL B W/ CPA	GREY	34959-0341	34958-0341	34961-0341	SALEABLE
34WAY RECEPTACLE ASSEMBLY POL C W/ CPA	DK GREY	34959-0342	34958-0342	34961-0342	SALEABLE
38WAY RECEPTACLE ASSEMBLY POL A W/CPA	BLACK	34959-0380	34958-0380	34961-0380	WILL BE OBSOLETE IN 2019
38WAY RECEPTACLE ASSEMBLY POL B W/ CPA	GREY	34959-0381	34958-0381	34961-0381	WILL BE OBSOLETE IN 2019
38WAY RECEPTACLE ASSEMBLY POL C W/ CPA	DK GREY	34959-0382	34958-0382	34961-0382	WILL BE OBSOLETE IN 2019
Ⓢ 38WAY RECEPTACLE ASSEMBLY UPDATED POL A W/CPA	BLACK	34959-0383	34958-0383	34961-0383	SALEABLE
Ⓢ 38WAY RECEPTACLE ASSEMBLY UPDATED POL B W/ CPA	GREY	34959-0384	34958-0384	34961-0384	SALEABLE
Ⓢ 38WAY RECEPTACLE ASSEMBLY UPDATED POL C W/ CPA	DK GREY	34959-0385	34958-0385	34961-0385	SALEABLE
34WAY RECEPTACLE ASSEMBLY POL A	BLACK	34959-0347	34958-0340	34961-0340	SALEABLE
34WAY RECEPTACLE ASSEMBLY POL B	GREY	34959-0348	34958-0341	34961-0341	SALEABLE
34WAY RECEPTACLE ASSEMBLY POL C	DK GREY	34959-0349	34958-0342	34961-0342	SALEABLE
38WAY RECEPTACLE ASSEMBLY POL A	BLACK	34959-0387	34958-0380	34961-0380	WILL BE OBSOLETE IN 2019
38WAY RECEPTACLE ASSEMBLY POL B	GREY	34959-0388	34958-0381	34961-0381	WILL BE OBSOLETE IN 2019
38WAY RECEPTACLE ASSEMBLY POL C	DK GREY	34959-0389	34958-0382	34961-0382	WILL BE OBSOLETE IN 2019
Ⓢ 38WAY RECEPTACLE ASSEMBLY UPDATED POL A	BLACK	34959-0390	34958-0383	34961-0383	SALEABLE
Ⓢ 38WAY RECEPTACLE ASSEMBLY UPDATED POL B	GREY	34959-0391	34958-0384	34961-0384	SALEABLE
Ⓢ 38WAY RECEPTACLE ASSEMBLY UPDATED POL C	DK GREY	34959-0392	34958-0385	34961-0385	SALEABLE



ISL EXPLODED VIEW

CTX50 UNSEALED RECEPTACLE TERMINALS

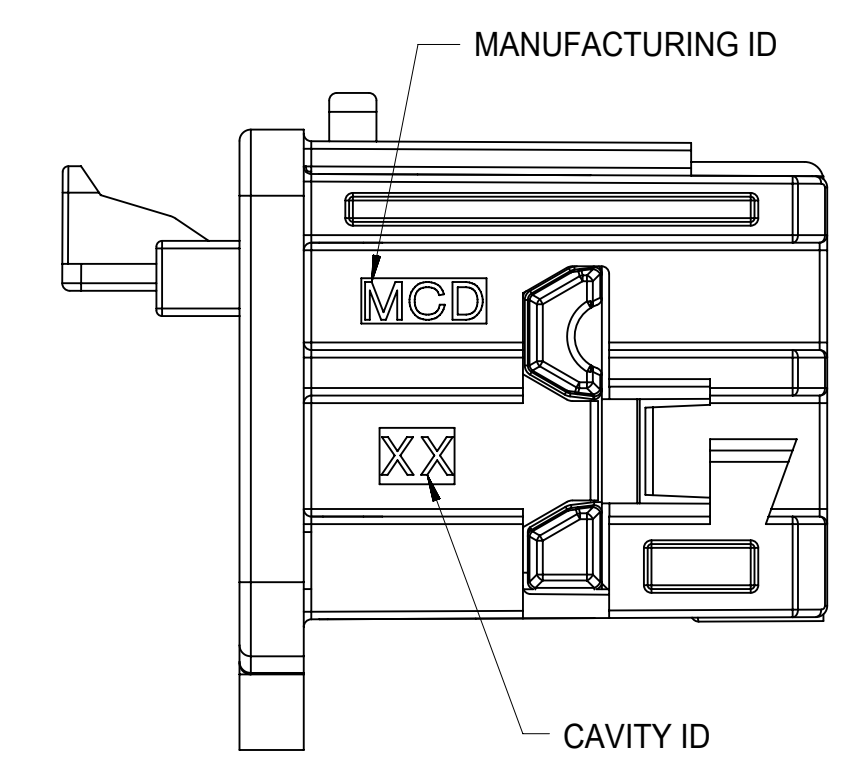
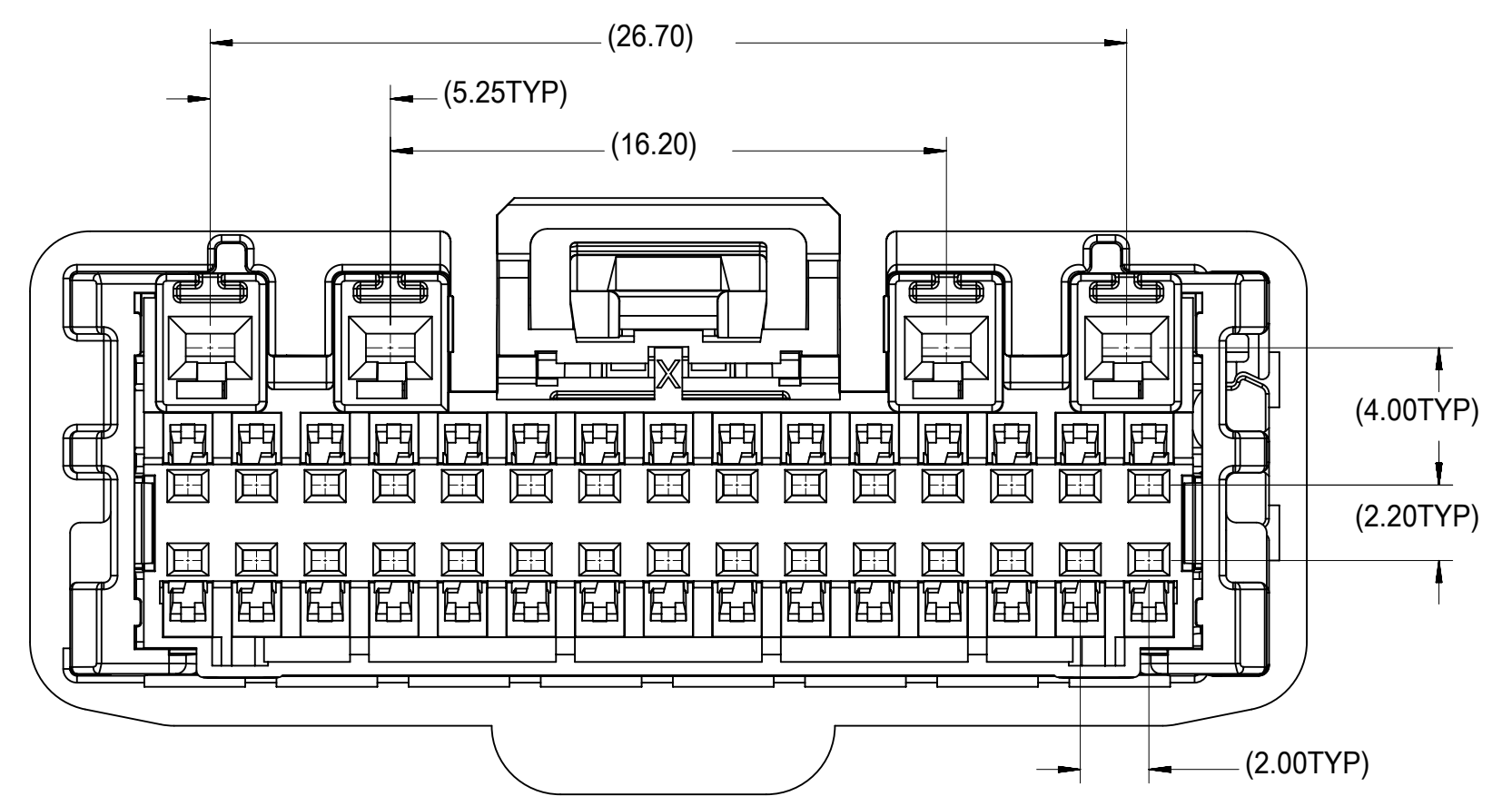
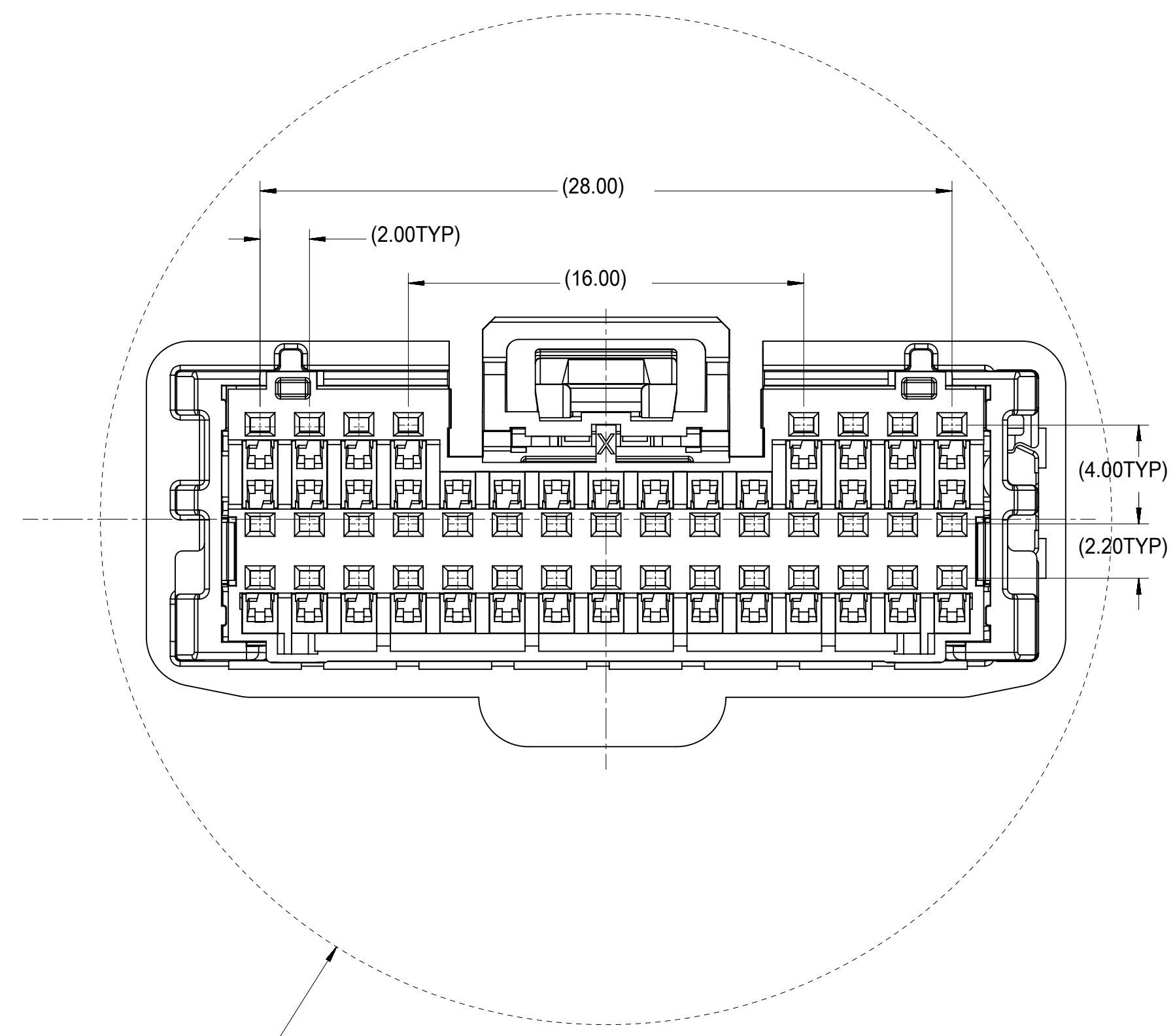
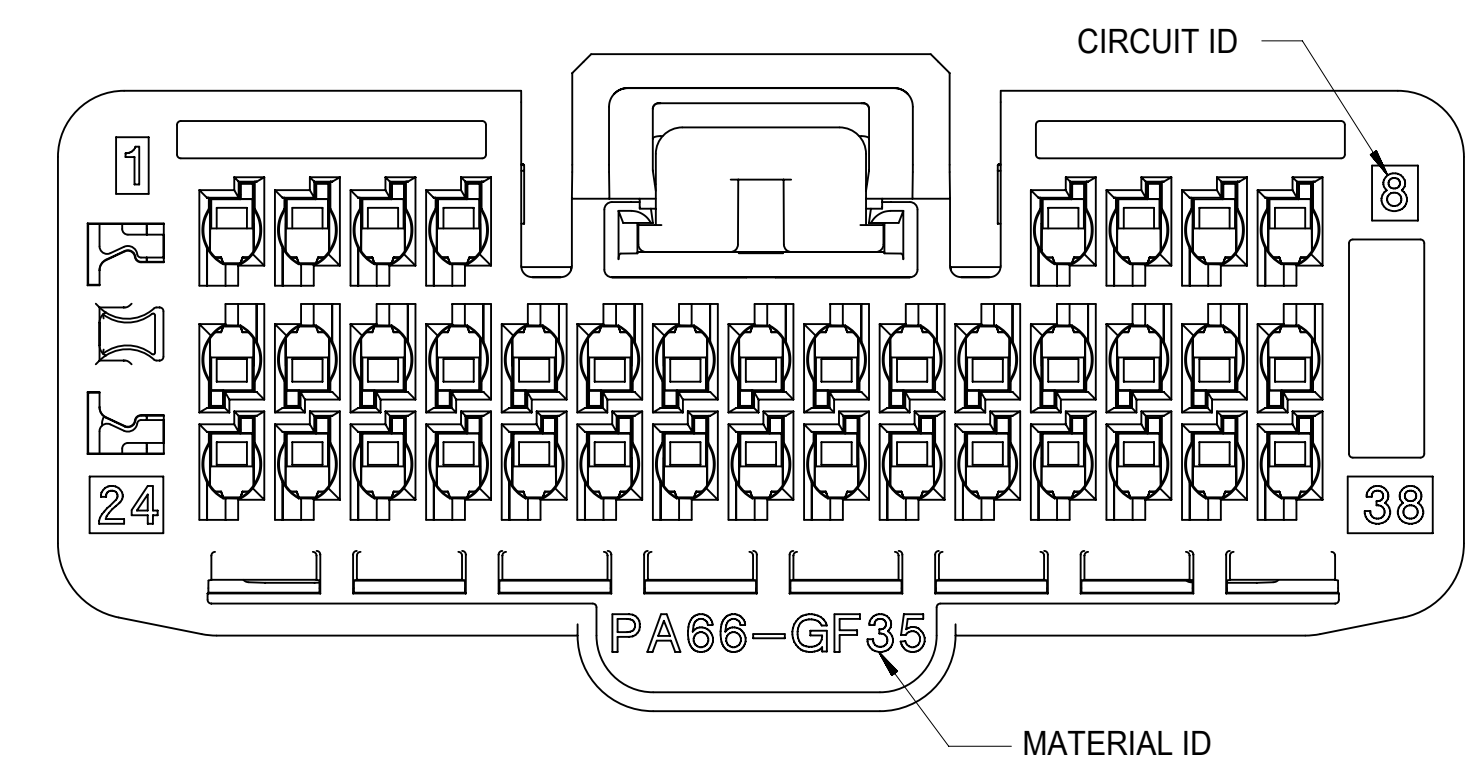
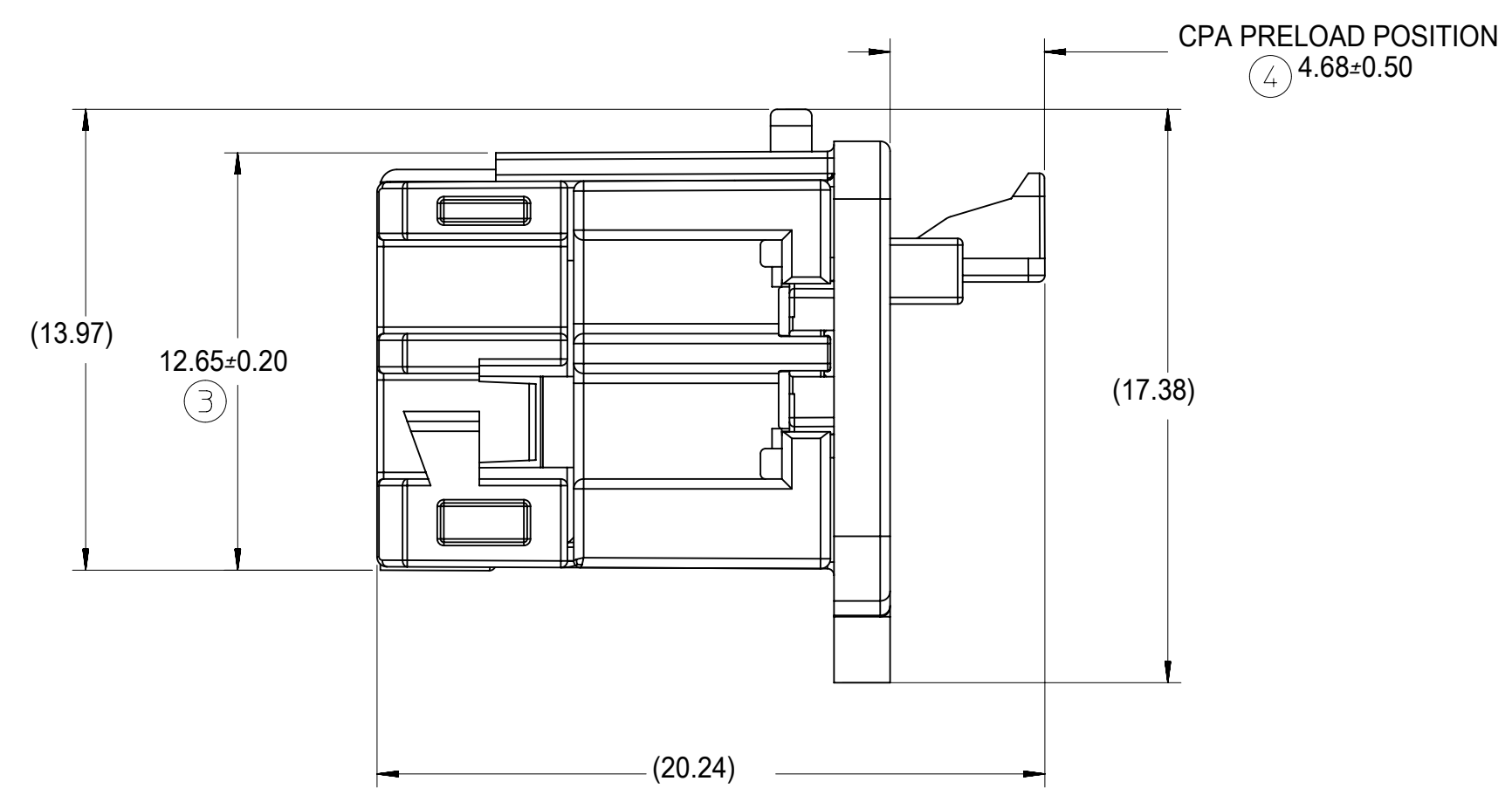
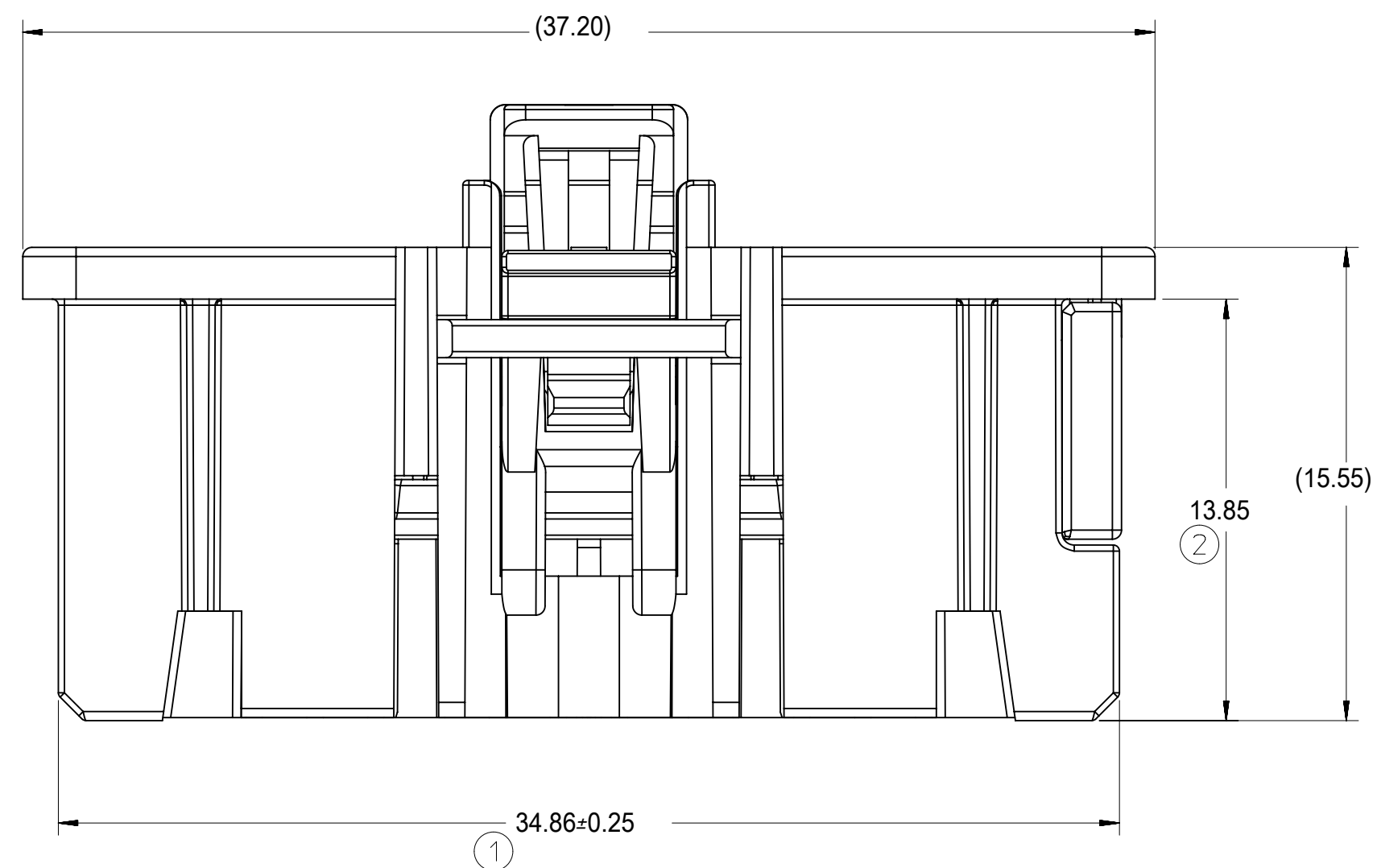
PART NUMBER		MATERIAL	WIRE GAGE (mm ²)	GRIP
D-WIND (LEFT PAYOFF)	B-WIND (RIGHT PAYOFF)			
560023-0448	560023-0450	COPPER ALLOY	0.35	LARGE
560023-0421	560023-0423	COPPER ALLOY	0.22	MEDIUM
560023-0422	560023-0424	COPPER ALLOY	0.13	SMALL

TYCO MCON UNSEALED RECEPTACLE TERMINALS

PART NUMBER	MATERIAL	WIRE GAGE	GRIP
7-1452659	COPPER ALLOY	1.00 mm ² or 18 AWG	LARGE
7-1452656	COPPER ALLOY	0.50 - 0.75 mm ² or 20 AWG	MEDIUM
7-1452653	COPPER ALLOY	0.35 mm ² or 22 AWG	SMALL

THIS DRAWING CONTAINS INFORMATION THAT IS PROPRIETARY TO MOLEX ELECTRONIC TECHNOLOGIES, LLC AND SHOULD NOT BE USED WITHOUT WRITTEN PERMISSION

DIMENSION UNITS mm	SCALE 5:1	CURRENT REV DESC:	molex		
GENERAL TOLERANCES (UNLESS SPECIFIED)		EC NO: 170137			
ANGULAR TOL ± 1.0°	4 PLACES ±	DRWN: SWU31 2018/01/11	PRODUCT CUSTOMER DRAWING		
3 PLACES ±	2 PLACES ±	CHK'D: CDZHANG 2018/03/02	DOCUMENT NUMBER		
1 PLACE ±	0 PLACES ±	APPR: JDENG02 2018/03/08	SD-34959-030		
DRAFT WHERE APPLICABLE MUST REMAIN WITHIN DIMENSIONS		INITIAL REVISION:	DOC TYPE	DOC PART	REVISION
THIRD ANGLE PROJECTION		DRWN: JFISCHER01 2012/08/17	PSD	001	D
DRAWING		APPR: SMARCEAU 2012/08/21	CUSTOMER		SHEET NUMBER
D-SIZE		SERIES	GENERAL MARKET		2 OF 4
MATERIAL NUMBER		34959			



Ø40.92PASS-THRU
WITH ± 1mm PER SIDE

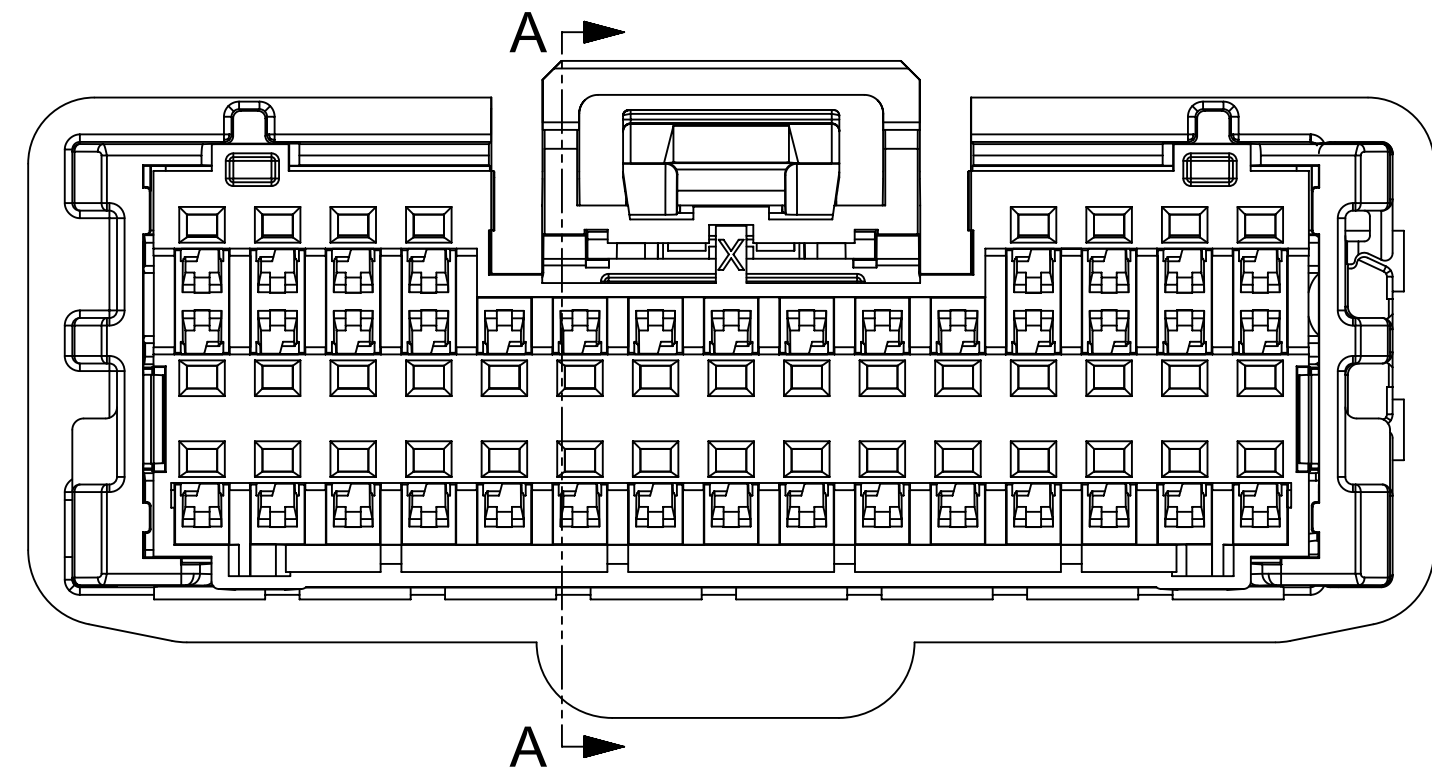
DIN 16901	CODE LETTER	NOMINAL DIMENSION RANGE													
		OVER UP TO	0	1	3	6	10	15	22	30	40	53	70	90	120
PRECISION ENGINEERING	A		+0.10	+0.12	+0.14	+0.16	+0.20	+0.22	+0.24	+0.26	+0.28	+0.31	+0.35	+0.40	+0.50
	B		-0.05	+0.06	-0.07	-0.08	+0.10	+0.12	-0.14	-0.16	+0.18	+0.21	+0.25	+0.30	+0.40

A: FOR NON-MOLD RELATED DIMENSIONS (ACROSS PARTING LINE)
B: FOR MOLD RELATED DIMENSIONS (WITHIN MOLD COMPONENTS)

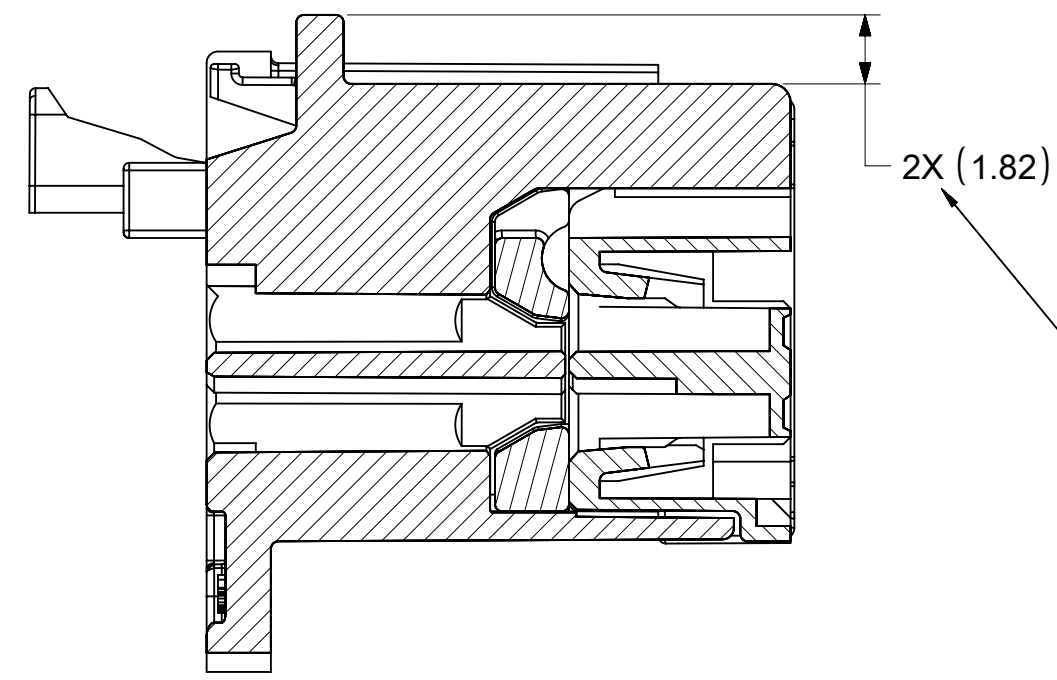
THIS DRAWING CONTAINS INFORMATION THAT IS PROPRIETARY TO MOLEX ELECTRONIC TECHNOLOGIES, LLC AND SHOULD NOT BE USED WITHOUT WRITTEN PERMISSION

DIMENSION UNITS mm	SCALE 5:1	CURRENT REV DESC:					
GENERAL TOLERANCES (UNLESS SPECIFIED)		EC NO: 170137					
ANGULAR TOL ± 1.0°		DRWN: SWU31		2018/01/11		PSD	
4 PLACES ±		CHK'D: CDZHANG		2018/03/02		001	
3 PLACES ±		APPR: JDENG02		2018/03/08		D	
2 PLACES ±		INITIAL REVISION:		SERIES		MATERIAL NUMBER	
1 PLACE ±		DRWN: JFISCHER01		2012/08/17		34959	
0 PLACES ±		APPR: SMARCEAU		2012/08/21		CUSTOMER	
DRAFT WHERE APPLICABLE MUST REMAIN WITHIN DIMENSIONS	THIRD ANGLE PROJECTION	DRAWING	SERIES	GENERAL MARKET		SHEET NUMBER	
		D-SIZE	34959	GENERAL MARKET		3 OF 4	

POL A&B&C DIFFERENCE WITH UPDATED POL A&B&C VIEW:

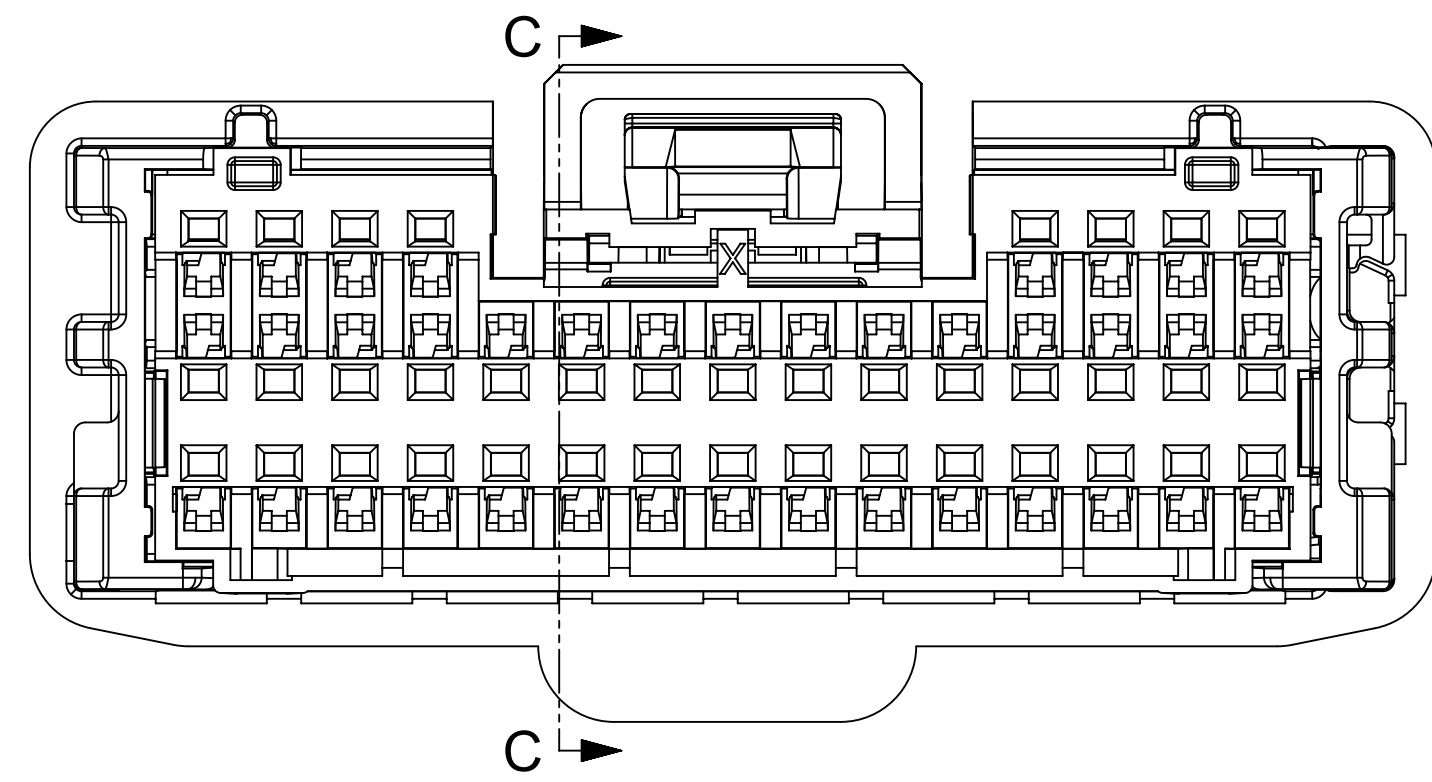


38 WAY POLARIZATION OPTION 'A'
P/N: 34959-0380

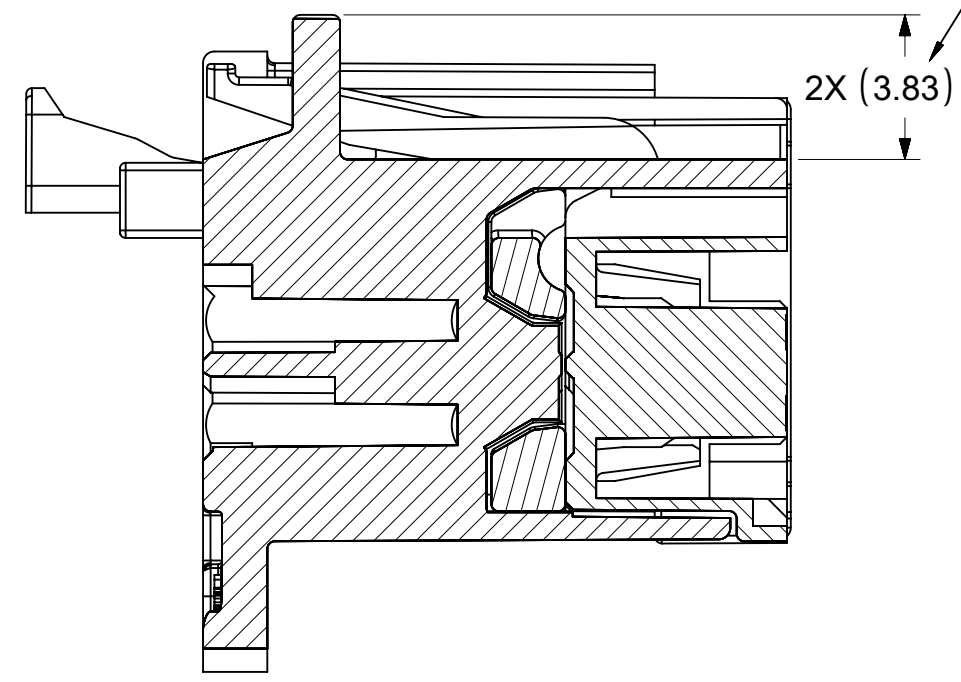


SECTION A-A

① POL A&B&C DIFFERENCE WITH UPDATED POL A&B&C:
ONLY REMOVED THE RIB FEATURE BESIDES LOCK LATCH



38 WAY POLARIZATION OPTION UPDATED 'A'
P/N: 34959-0383



SECTION C-C

THIS DRAWING CONTAINS INFORMATION THAT IS PROPRIETARY TO MOLEX ELECTRONIC TECHNOLOGIES, LLC AND SHOULD NOT BE USED WITHOUT WRITTEN PERMISSION

DIMENSION UNITS mm	SCALE 5:1	CURRENT REV DESC:		molex			
GENERAL TOLERANCES (UNLESS SPECIFIED)		EC NO: 170137					
ANGULAR TOL ± 1.0°	4 PLACES ±	DRWN: SWU31 2018/01/11		PRODUCT CUSTOMER DRAWING			
3 PLACES ±	2 PLACES ±	CHK'D: CDZHANG 2018/03/02		DOCUMENT NUMBER			
2 PLACES ±	1 PLACE ±	APPR: JDENG02 2018/03/08		SD-34959-030			
1 PLACE ±	0 PLACES ±	INITIAL REVISION:		DOC TYPE			
DRAFT WHERE APPLICABLE MUST REMAIN WITHIN DIMENSIONS		DRWN: JFISCHER01 2012/08/17		PSD			
THIRD ANGLE PROJECTION		APPR: SMARCEAU 2012/08/21		DOC PART			
D-DRAWING		SERIES		001			
D-SIZE		34959		REVISION			
MATERIAL NUMBER		CUSTOMER		D			
GENERAL MARKET		SHEET NUMBER		4 OF 4			