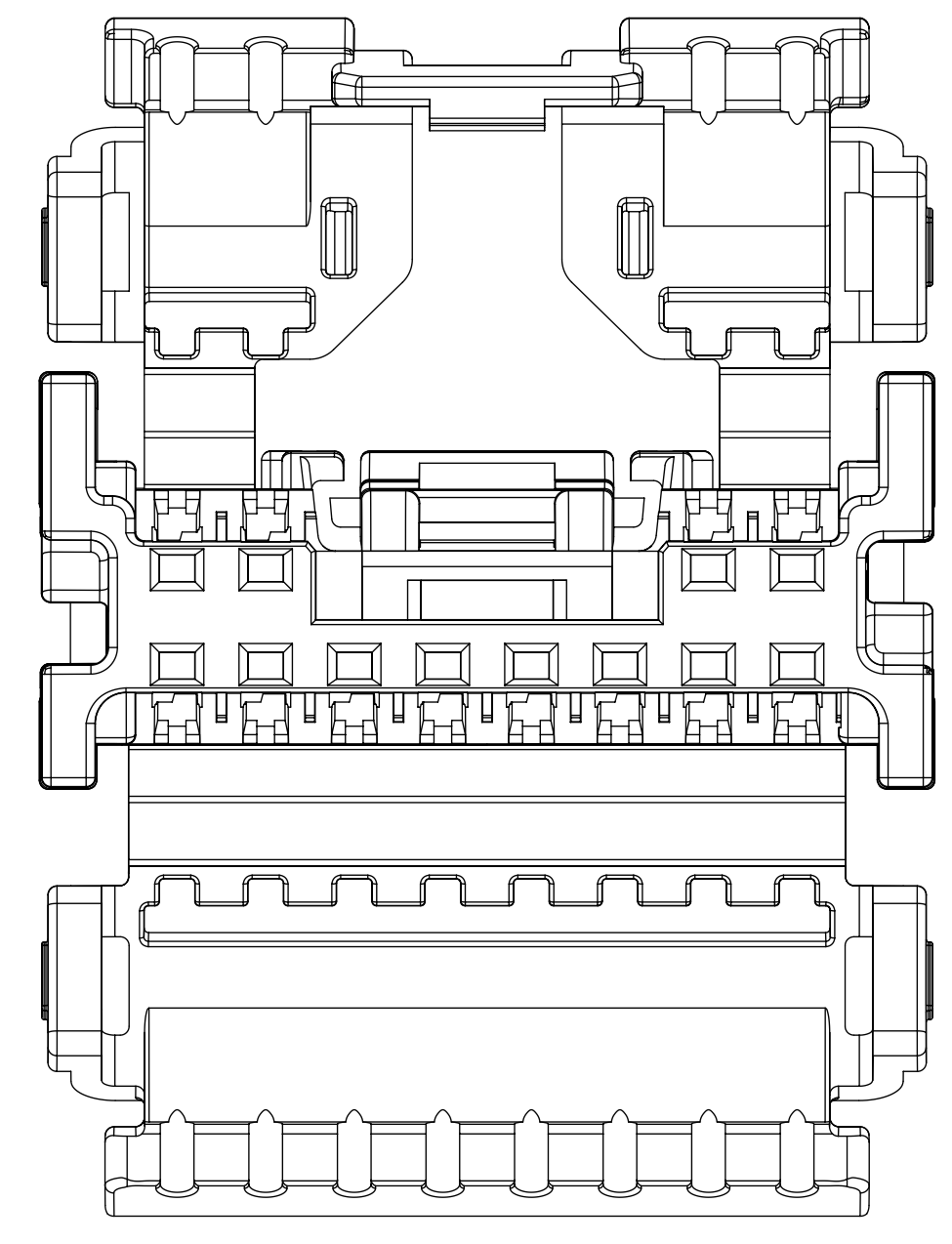
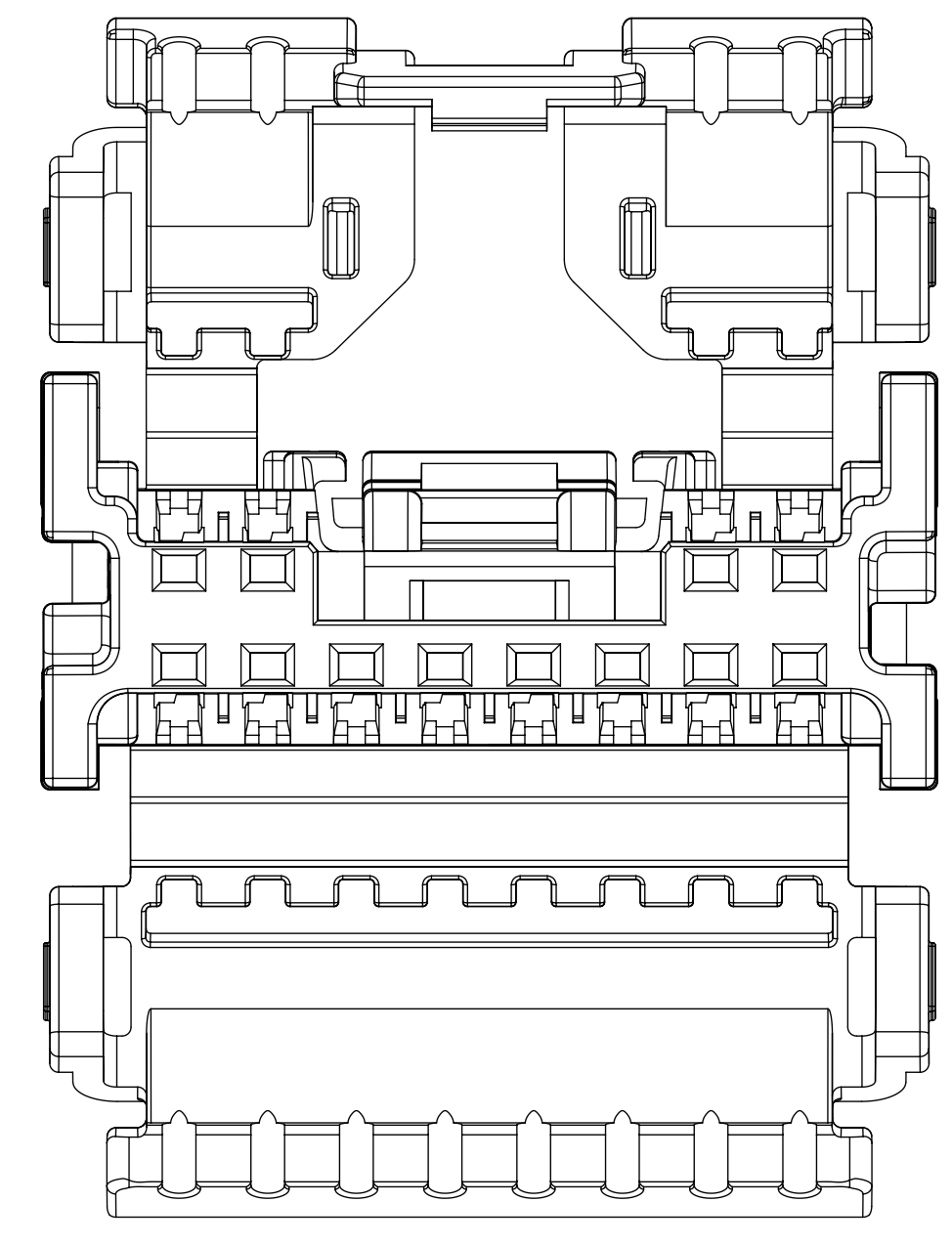


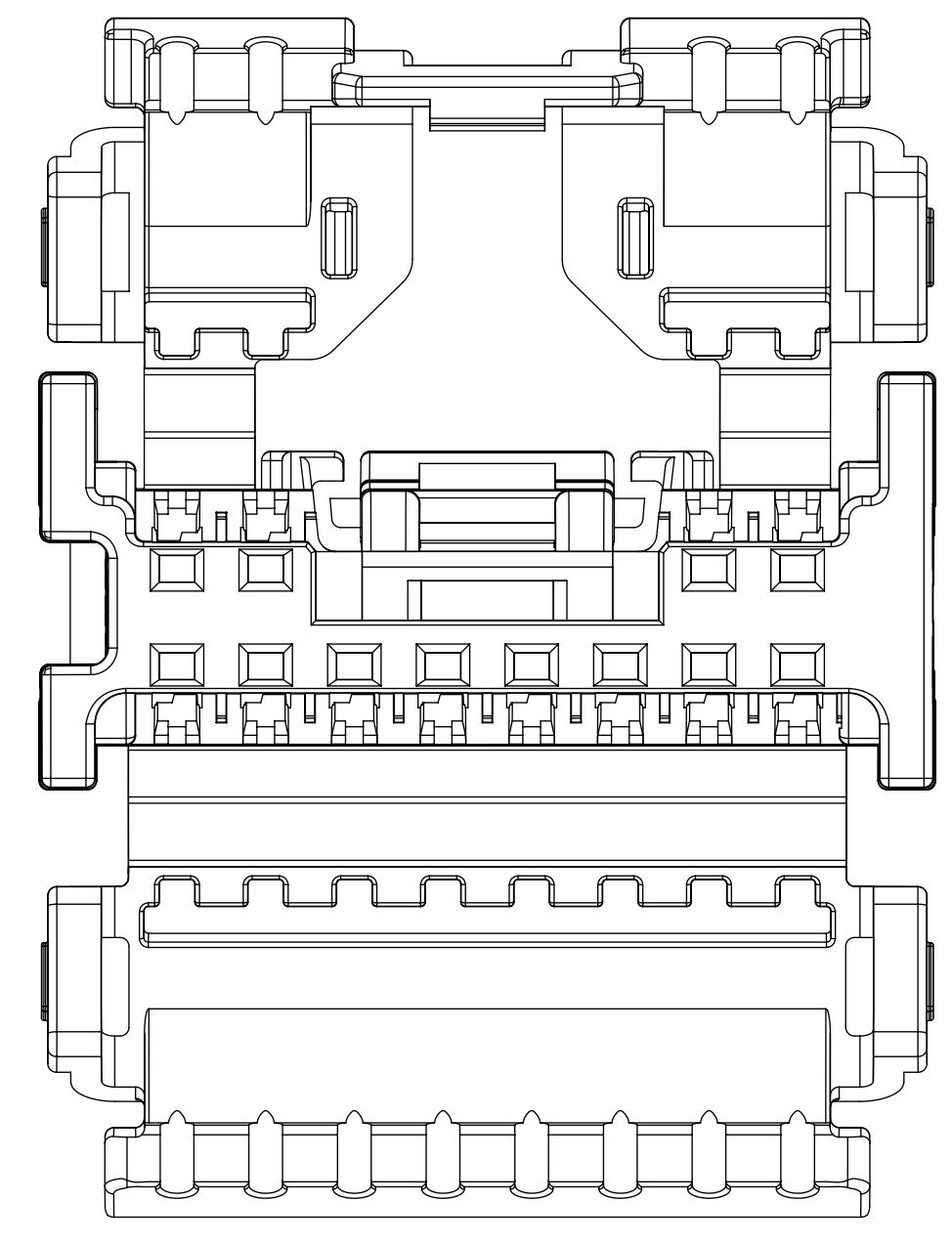
1. GENERAL:
 - a. APPLICATION SPECIFICATION SEE: AS-34791-020
 - b. PRODUCT SPECIFICATION SEE: PS-34791-020
 - c. PACKAGING SPECIFICATION PER MOLEX DRAWING: SEE CHART
 - d. PARTS MUST BE IN COMPLIANCE TO MOLEX CHEMICAL SUBSTANCES FOR PRODUCTS AND PACKAGING SPECIFICATION: QEH5-699000-301
 - e. DATA MUST BE SUBMITTED UNDER THE MOLEX PART NUMBER TO IMDS (COMPANY ID#13255)
 - f. FLAMMABILITY REQUIREMENT: PER ISO3795 OR GM3191
 1. BURN RATE 100 mm/MIN MAXIMUM
 2. MATERIAL MUST BE SELF EXTINGUISHING
 - g. VISUAL DEFECTS SHALL MEET COSMETIC STANDARD PS-45499-002 (Class B)
 - h. FOR TERMINAL USAGE, REFER TO MOLEX SALES DRAWING SD-560023-002
2. DESIGN - MATERIALS: SEE P/N TABLE
3. DESIGN - GEOMETRY:
 - a. THIS IS A 100% CAD GENERATED PART. THE CAD MATHEMATICAL DATA IS THE MASTER FOR THIS PART. FOR DIMENSIONAL OR ANY INFORMATION NOT SHOWN ON THIS DRAWING, ANALYZE THE CAD MODEL.
 - b. GEOMETRIC DIMENSIONS AND TOLERANCES PER ASME Y14.5M - 2009
 - c. GENERAL TOLERANCES:
 - LINEAR: PER DIN 16901 CODE B FOR PRECISION ENGINEERING (SEE TABLE)
 - ANGULAR: ±3°
 - d. EDGES AND UNDIMENSIONED DETAILS PER ISO13715
 - e. CORNERS SHOWN AS SHARP TO BE R 0.2 MAX
 - f. LETTERING SHALL BE 0.15 MAX RAISED IN 0.15 MAX RECESS PAD AND NOT PROTRUDE THE SURFACE. THIS INCLUDES RECYCLING CODE, PLANT AND CAVITY ID, VENDOR ID, CIRCUIT ID, AND PART SERIES NUMBER.
 - g. DIMENSION APPLIES ONLY TO RECEPTACLES WITH LOCK BRIDGE OPTION.



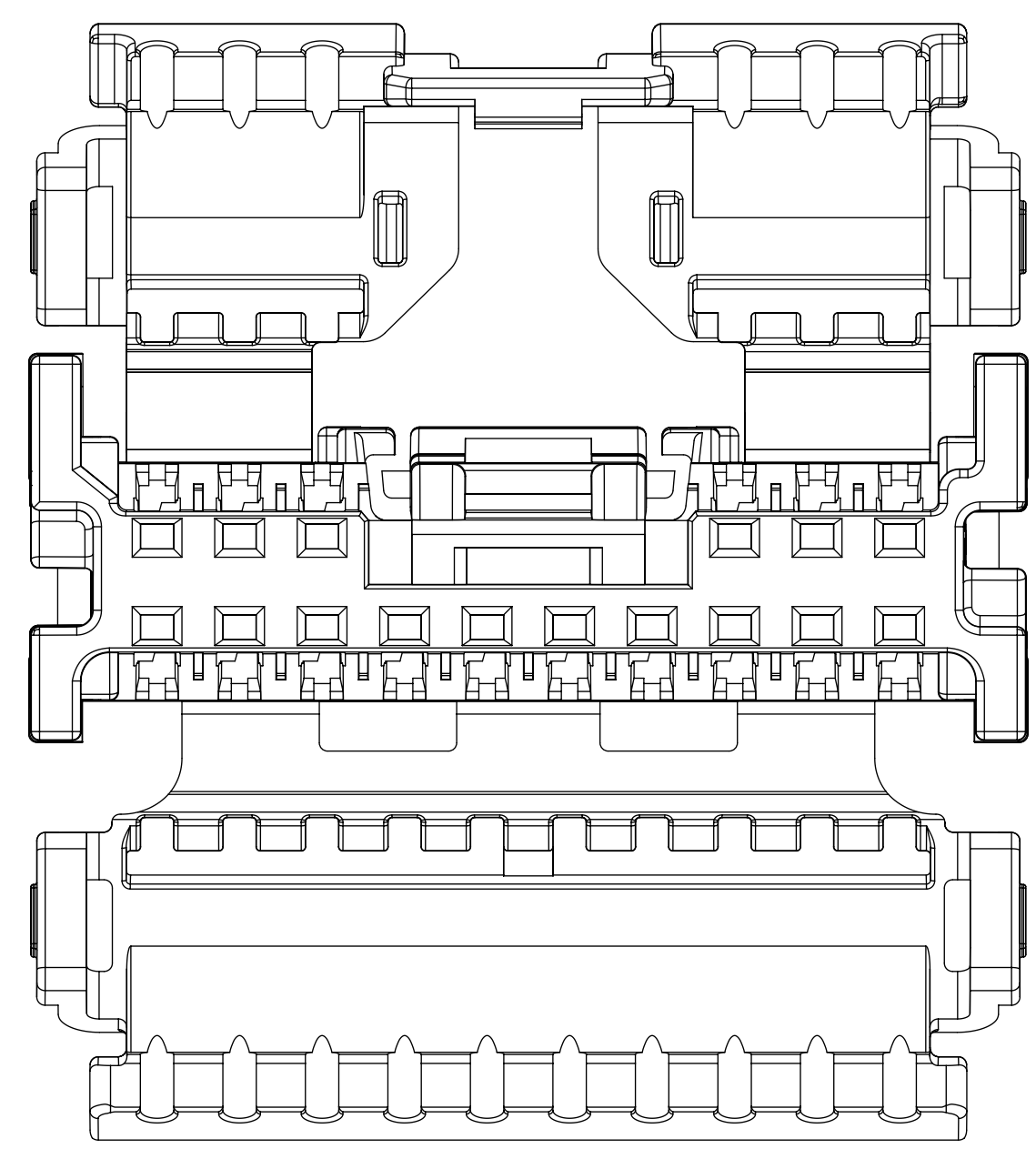
12 CIRCUIT RECEPTACLE WITHOUT LOCK BRIDGE
POLARIZATION OPTION A
USCAR COMPATIBLE



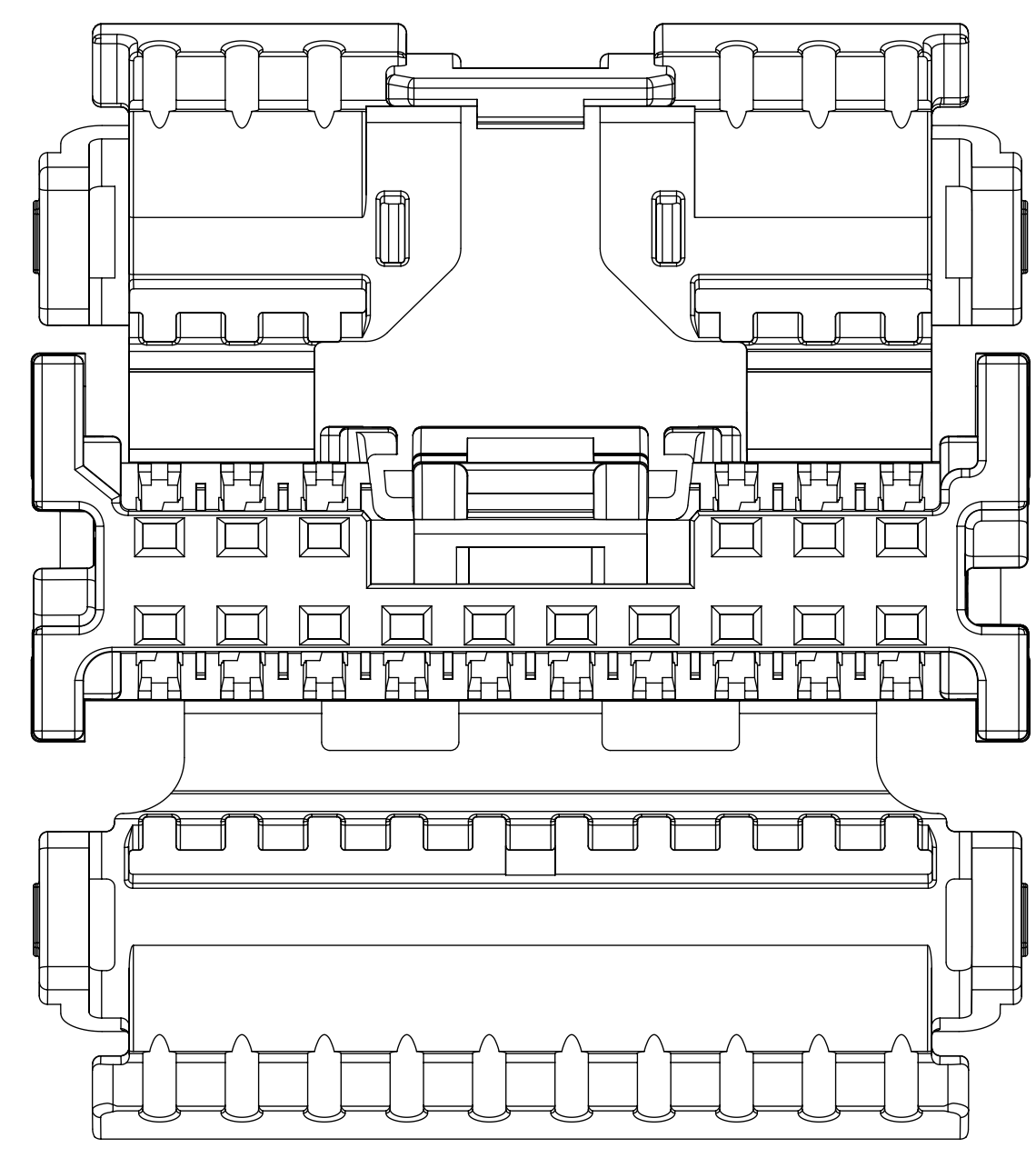
12 CIRCUIT RECEPTACLE WITHOUT LOCK BRIDGE
POLARIZATION OPTION B
USCAR COMPATIBLE



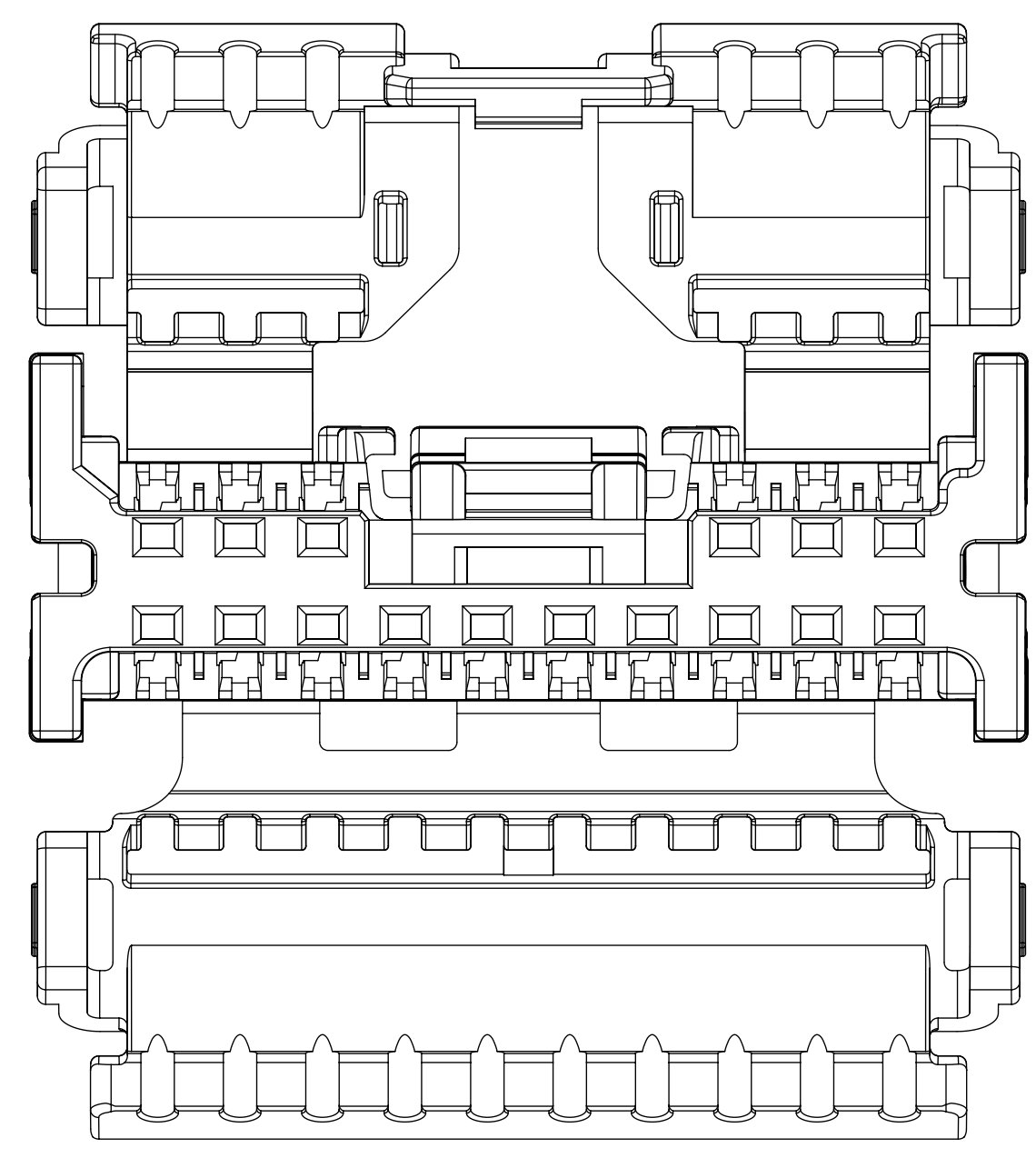
12 CIRCUIT RECEPTACLE WITHOUT LOCK BRIDGE
POLARIZATION OPTION C
USCAR COMPATIBLE



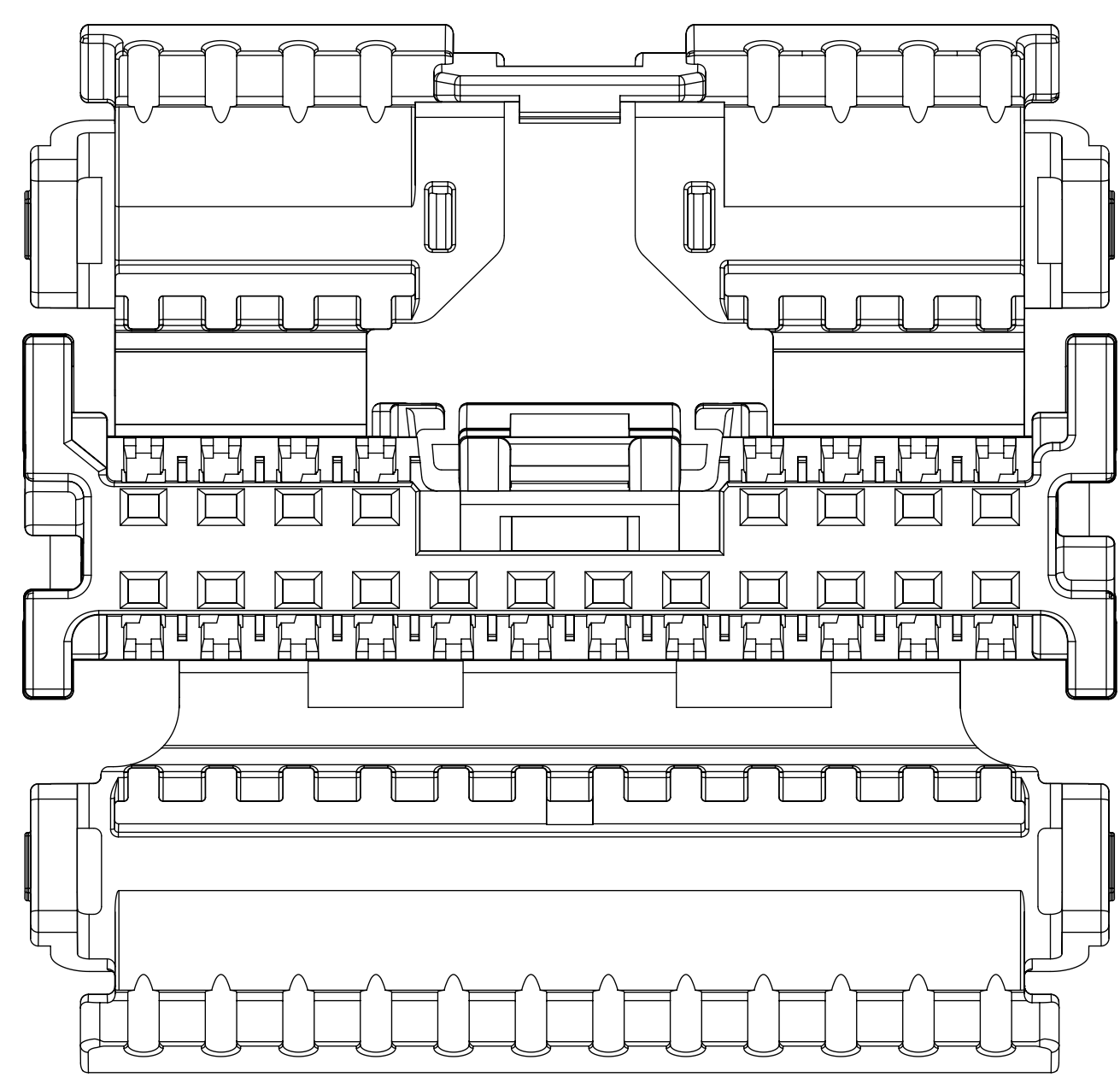
16 CIRCUIT RECEPTACLE WITHOUT LOCK BRIDGE
POLARIZATION OPTION A



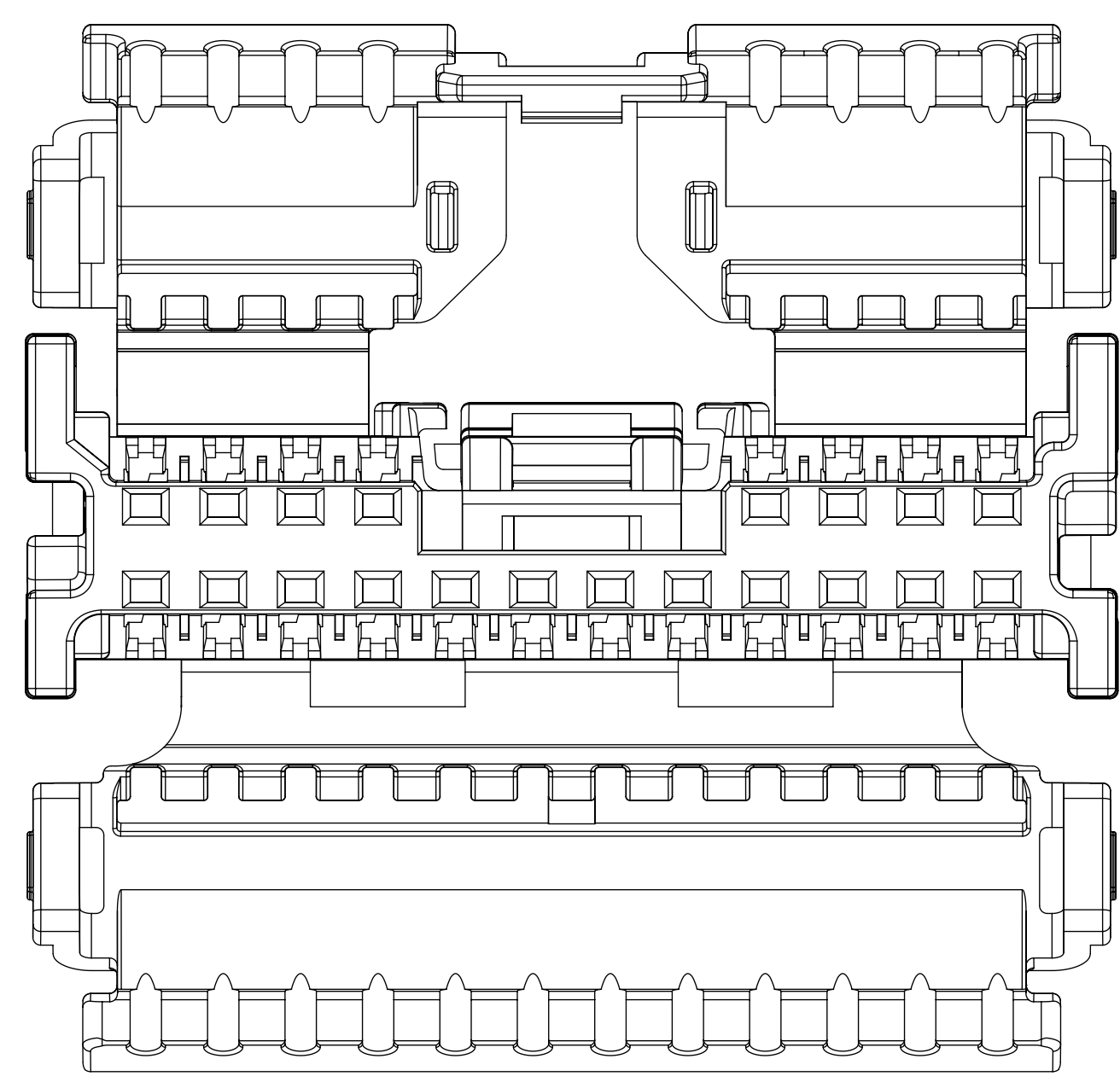
16 CIRCUIT RECEPTACLE WITHOUT LOCK BRIDGE
POLARIZATION OPTION B



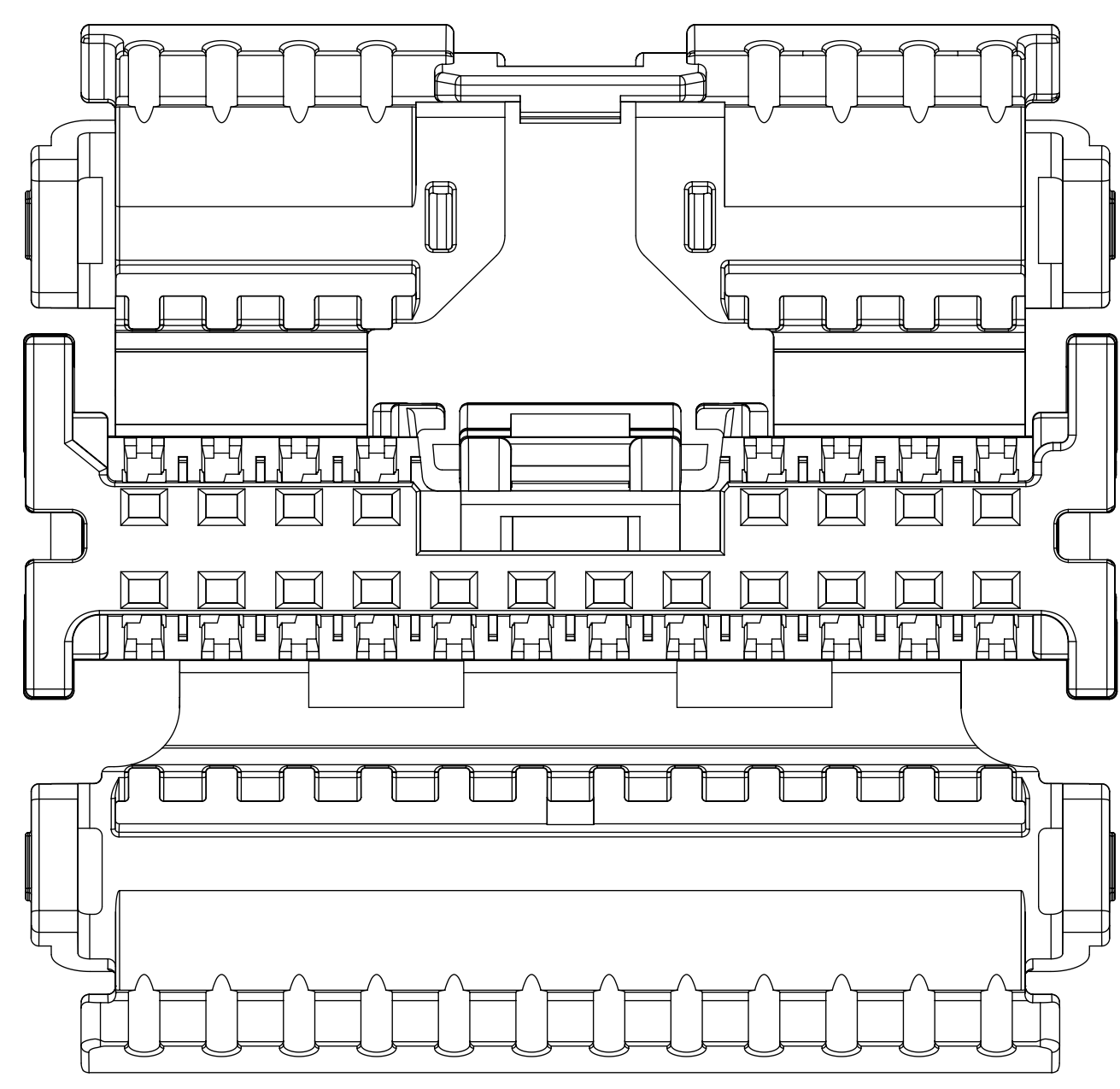
16 CIRCUIT RECEPTACLE WITHOUT LOCK BRIDGE
POLARIZATION OPTION C



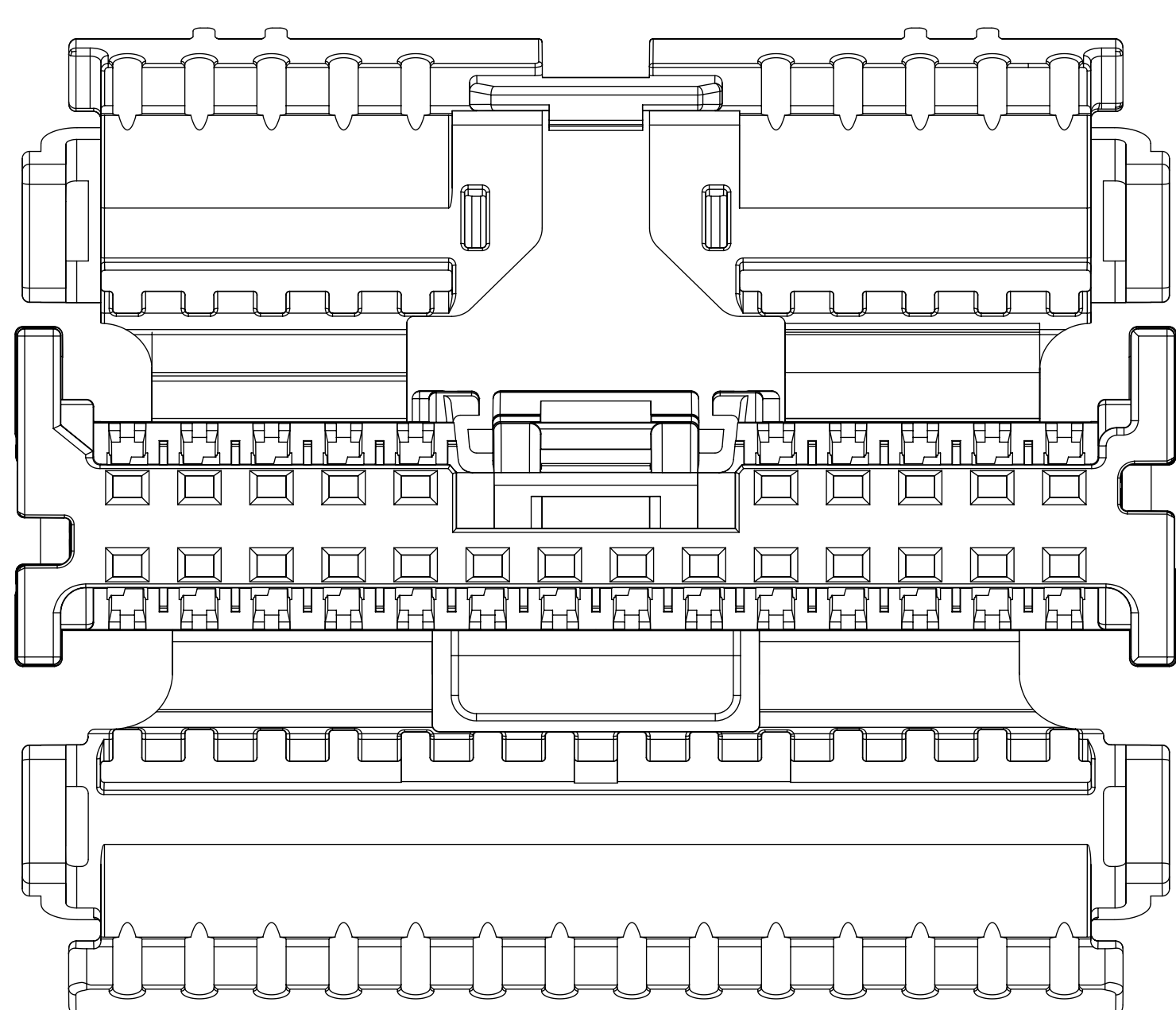
20 CIRCUIT RECEPTACLE WITHOUT LOCK BRIDGE
POLARIZATION OPTION A



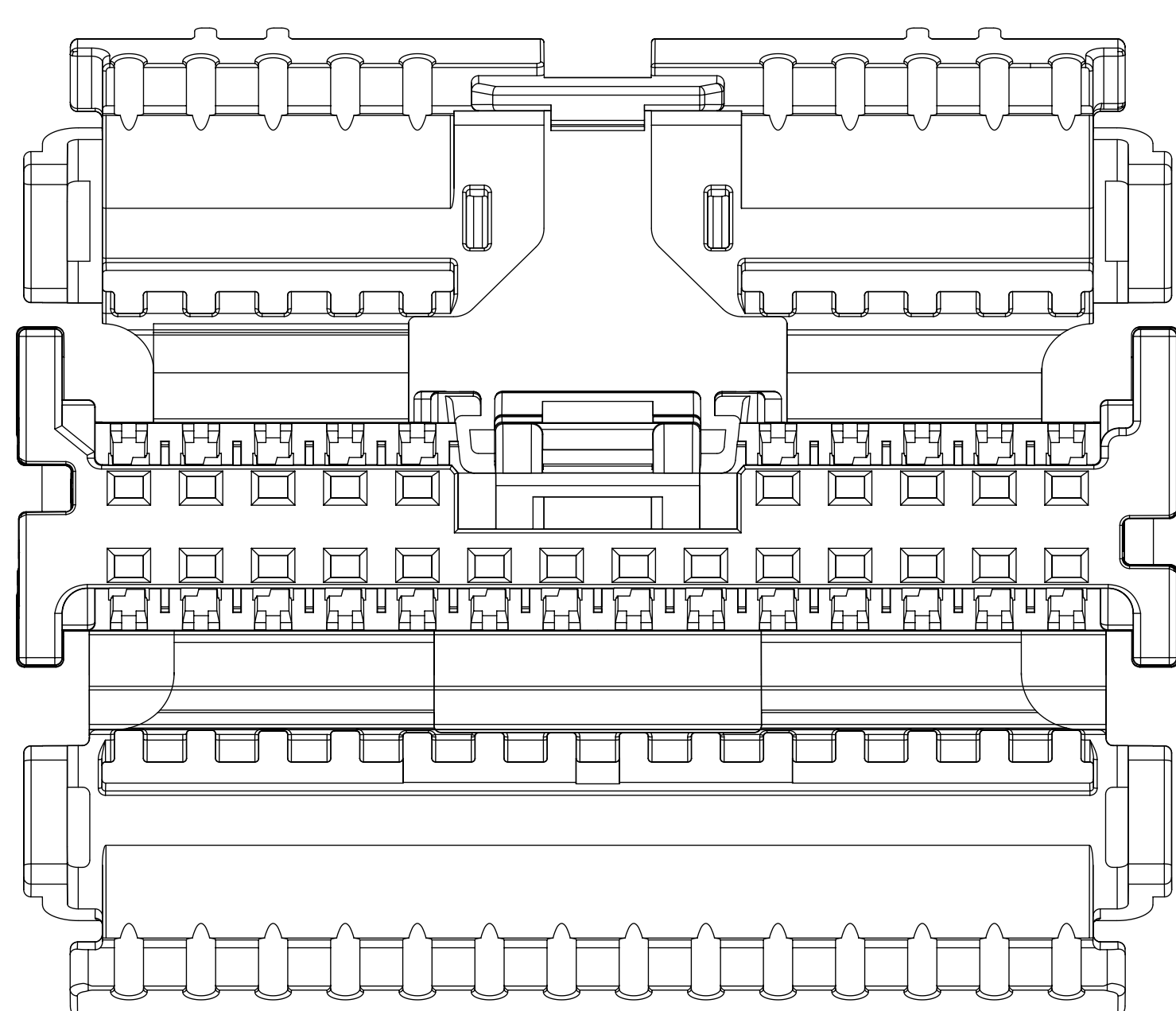
20 CIRCUIT RECEPTACLE WITHOUT LOCK BRIDGE
POLARIZATION OPTION B



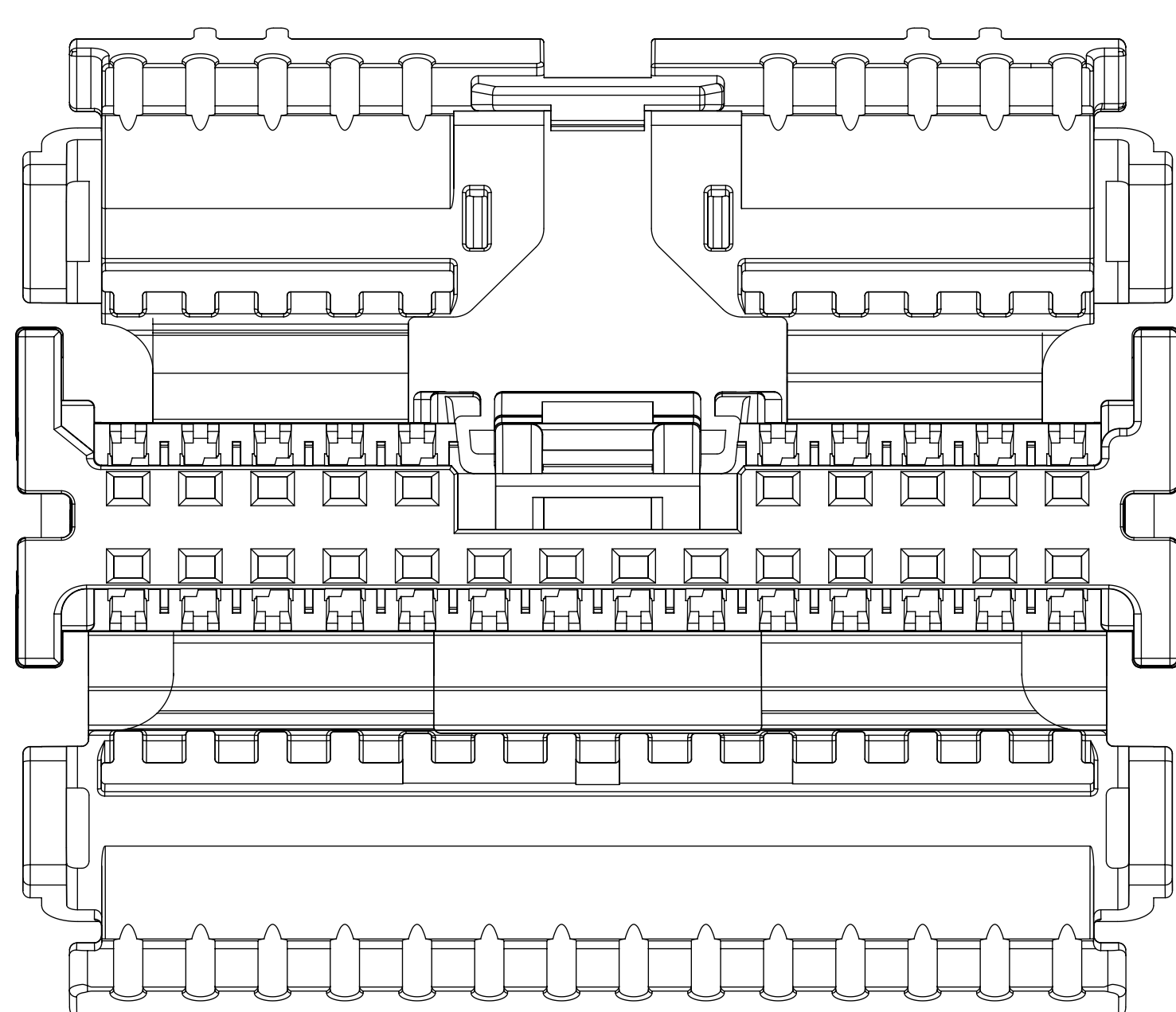
20 CIRCUIT RECEPTACLE WITHOUT LOCK BRIDGE
POLARIZATION OPTION C



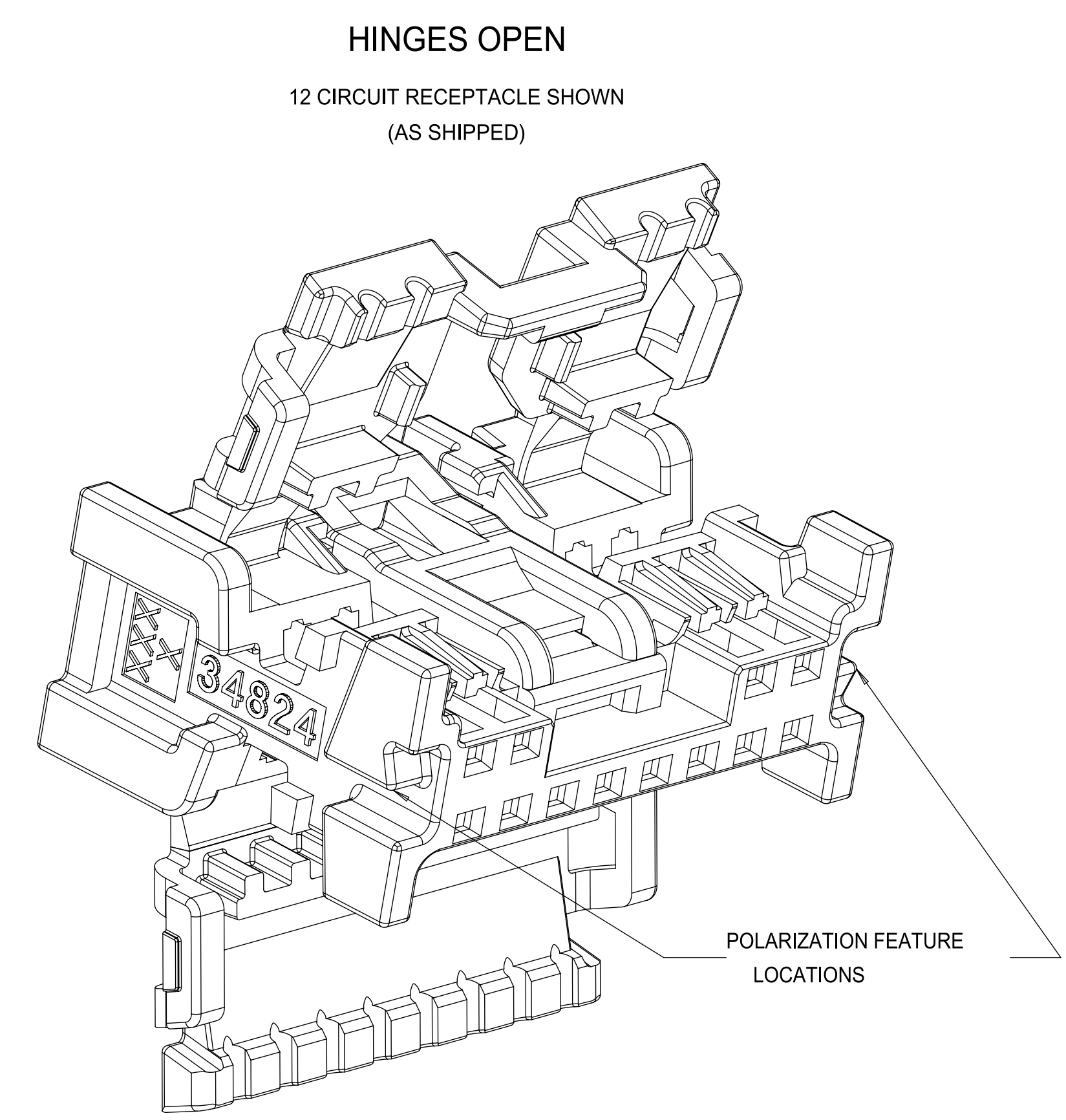
24 CIRCUIT RECEPTACLE WITHOUT LOCK BRIDGE
POLARIZATION OPTION A



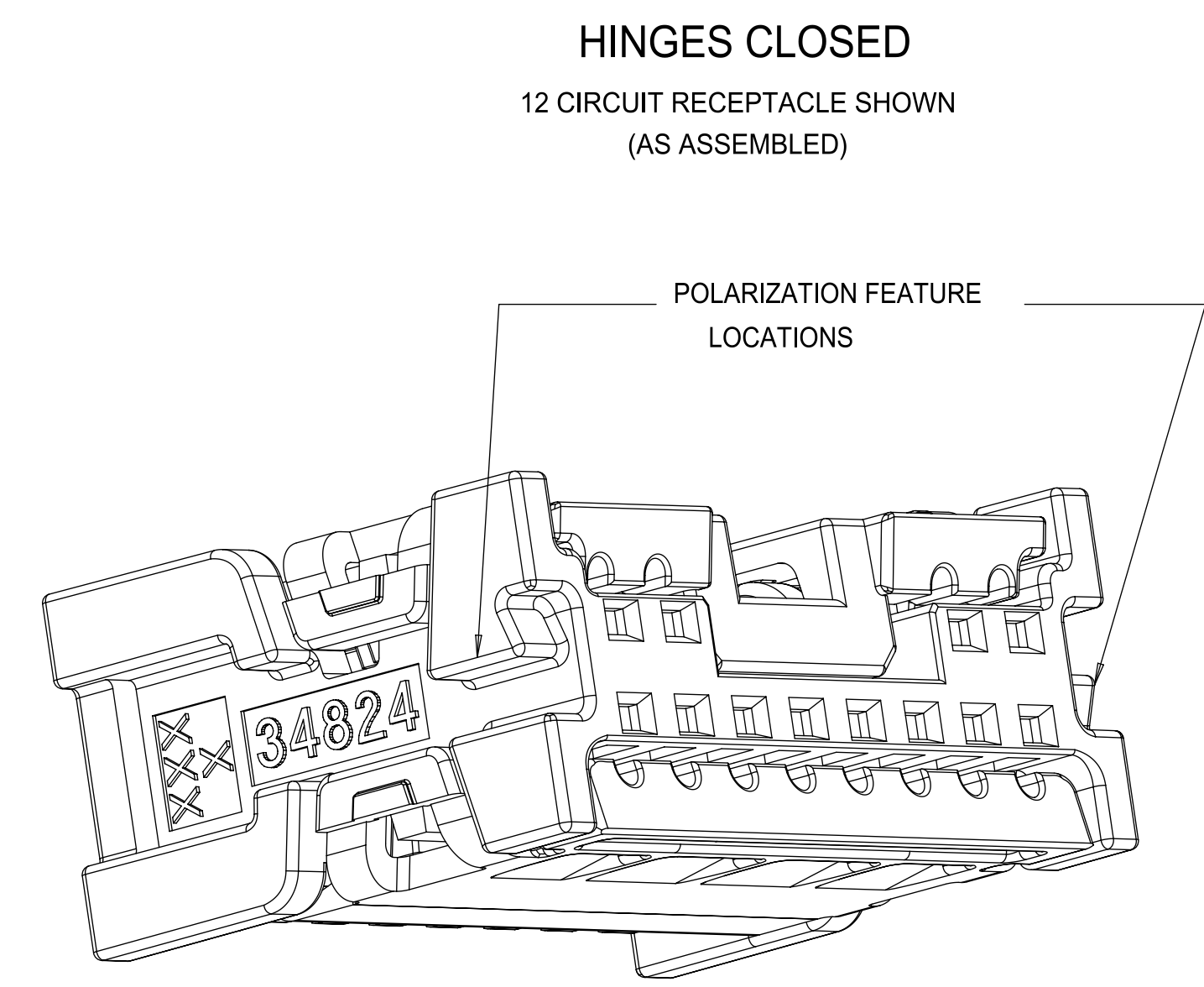
24 CIRCUIT RECEPTACLE WITHOUT LOCK BRIDGE
POLARIZATION OPTION B



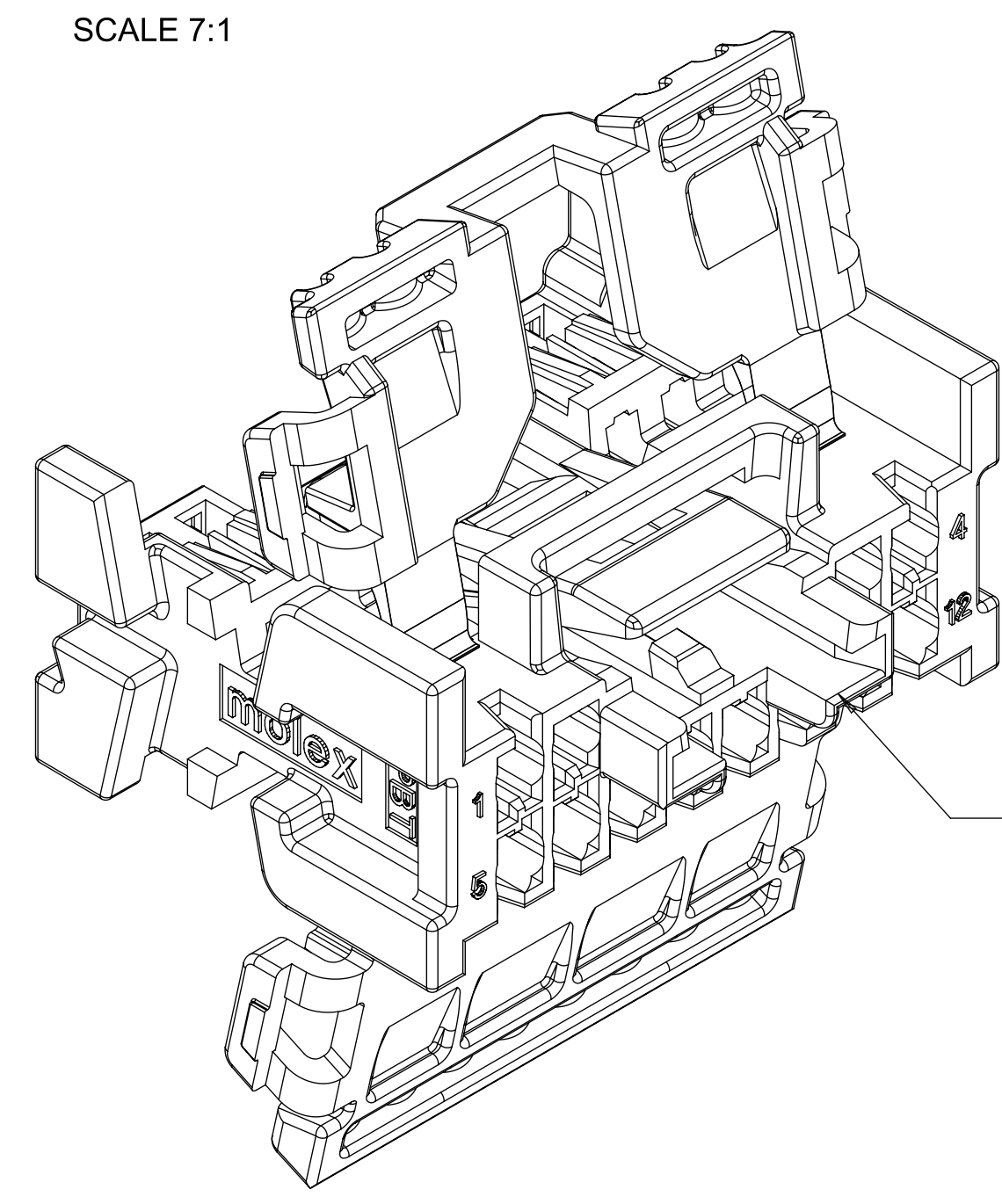
24 CIRCUIT RECEPTACLE WITHOUT LOCK BRIDGE
POLARIZATION OPTION C



HINGES OPEN
12 CIRCUIT RECEPTACLE SHOWN
(AS SHIPPED)



HINGES CLOSED
12 CIRCUIT RECEPTACLE SHOWN
(AS ASSEMBLED)



SCALE 7:1

MINI50 WITH BRIDGE OPTION
COMES WITH CPA TRAY
*REFER TO SD-34824-003 FOR
CPA-RECEPTACLE ASSEMBLIES

INSPECTION BALLOON NUMBER PER DRAWING REVISION: L		UPDATED P/N TABLE TO SHOW MATERIAL	
LAST BALLOON USED: 17		L	UPDATED 24 CKT
ADDED BALLOON NUMBERS:		REV	DESCRIPTION
REMOVED BALLOON NUMBERS:			

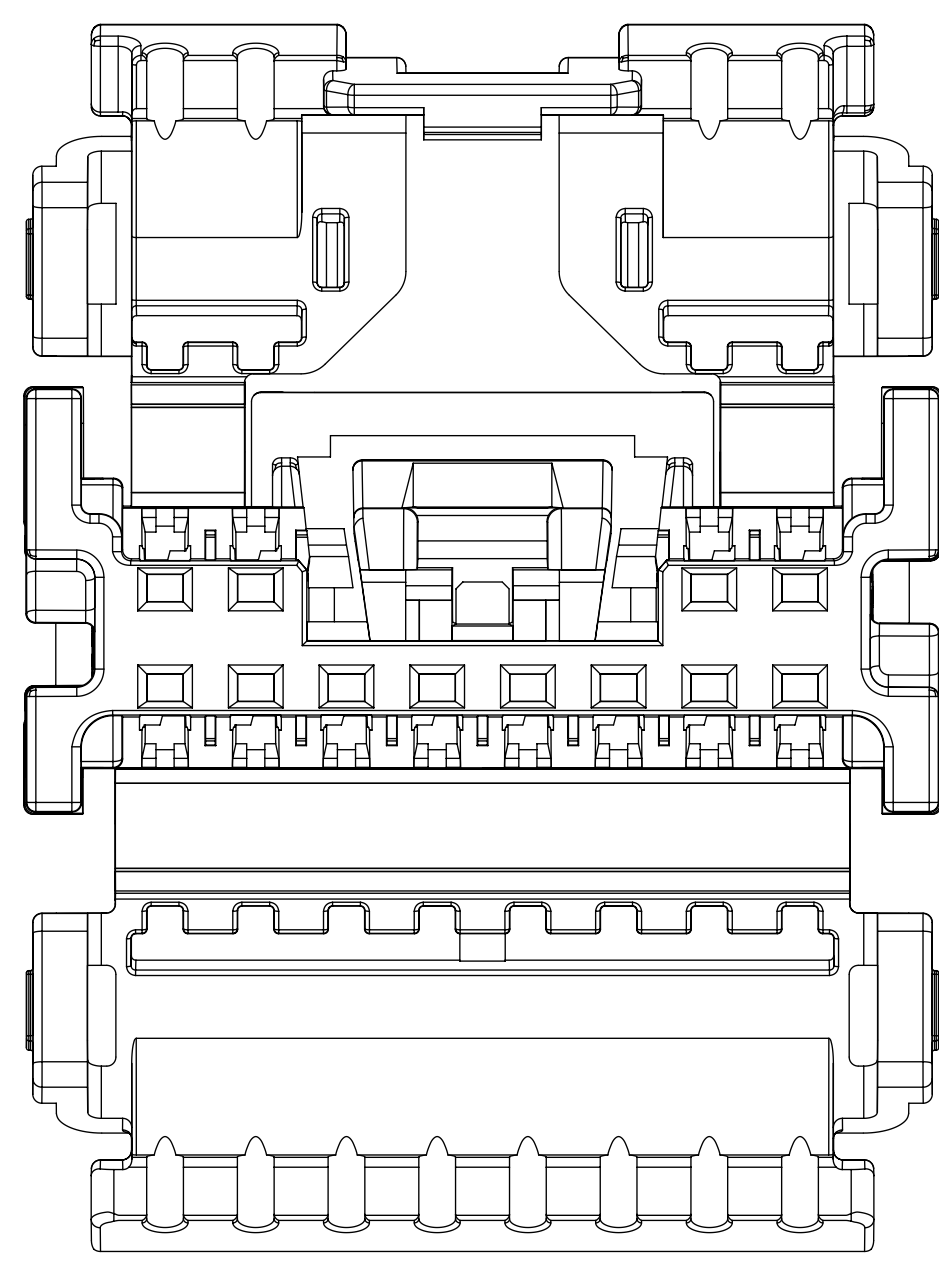
QUALITY SYMBOLS	THIS DRAWING CONTAINS INFORMATION THAT IS PROPRIETARY TO MOLEX ELECTRONIC TECHNOLOGIES, LLC AND SHOULD NOT BE USED WITHOUT WRITTEN PERMISSION
∇ = 0	EC NO: 603994 DRWN: KHEWITT CHK'D: JDUNAJ REV APPR: JDUNAJ 2018/08/02 2018/09/05 2018/09/05 GENERAL TOLERANCES (UNLESS SPECIFIED) DIMENSION UNITS: MM ONLY SCALE: 6:1 DRWN BY: TCUCU DATE: 2011/03/10 CHK'D BY: TMACHUGA DATE: 2011/03/11 APPR BY: SMARCEAU DATE: 2012/05/21 DRAWING SIZE: E THIRD ANGLE PROJECTION:
∇ = 0	
∇ = 0	
∇ = 0	
∇ = 0	
∇ = 0	
∇ = 0	
∇ = 0	
∇ = 0	
∇ = 0	

molex

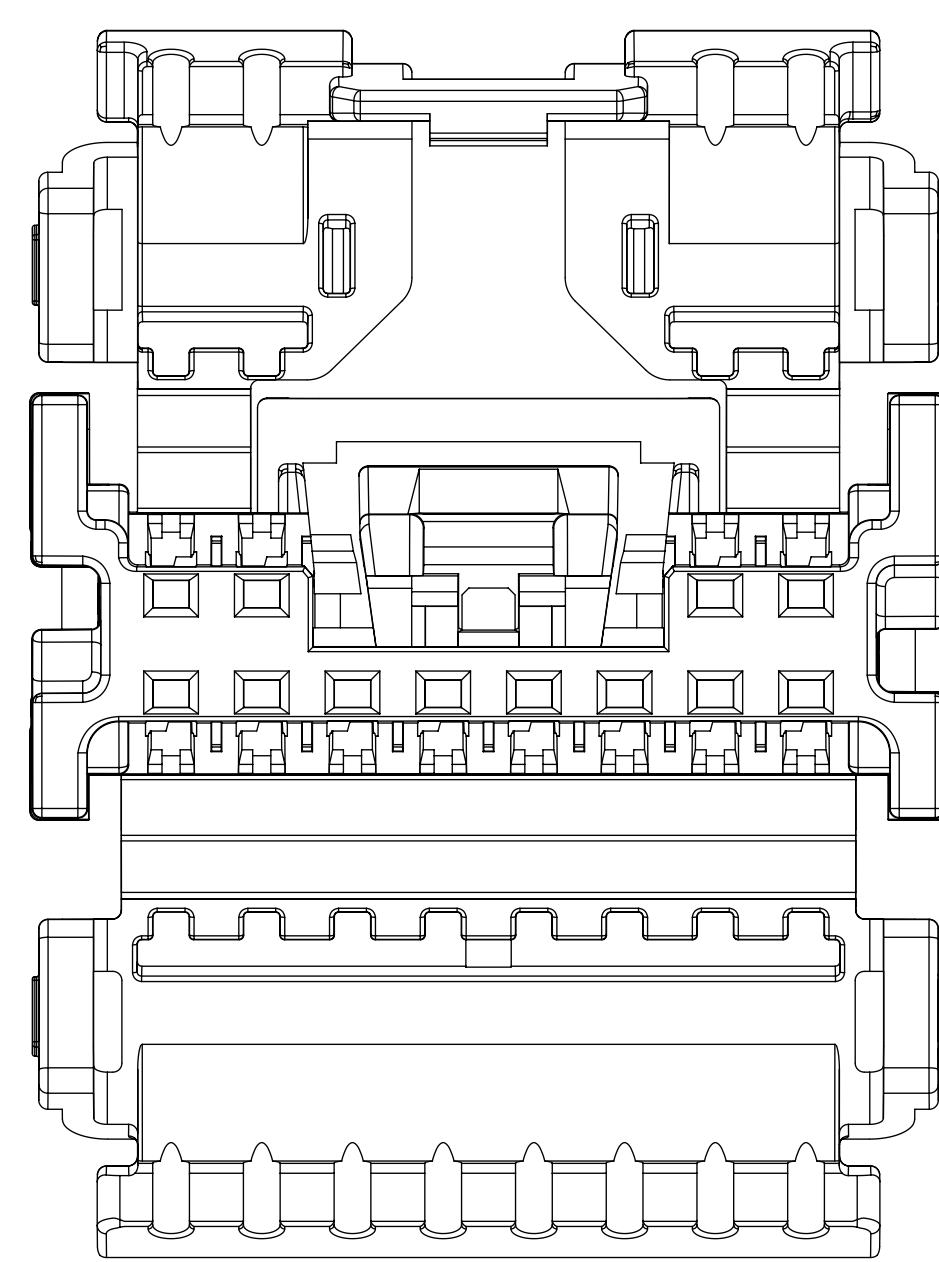
MINI50 DUAL ROW
RECEPTACLE SALES DRAWING

PRODUCT CUSTOMER DRAWING

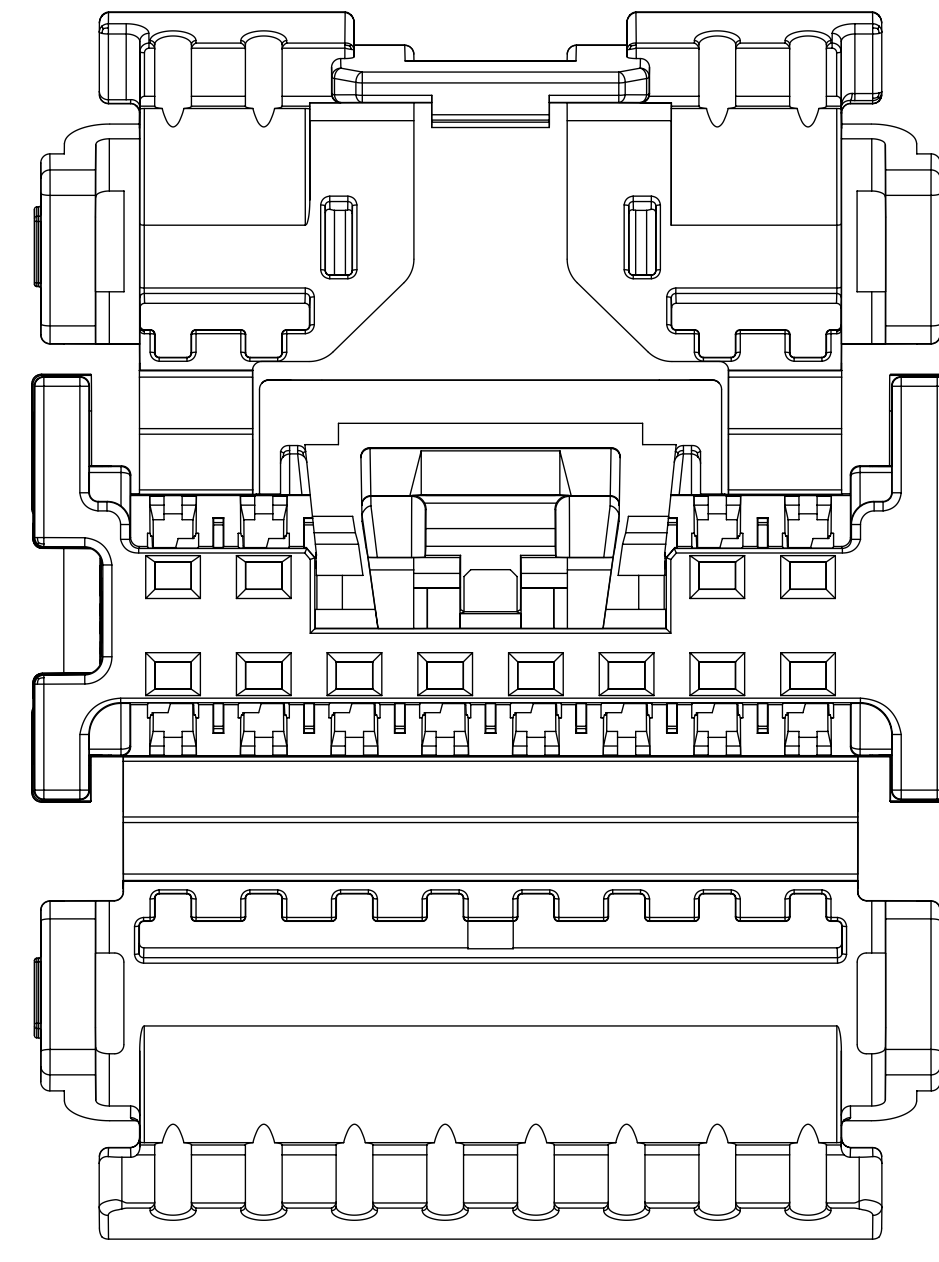
SERIES	MATERIAL NUMBER	CUSTOMER
34824	SEE TABLE	GENERAL MARKET
DOCUMENT NUMBER	DOC TYPE	DOC PART SHEET NUMBER
SD-34824-002	PSD	001 1 OF 4



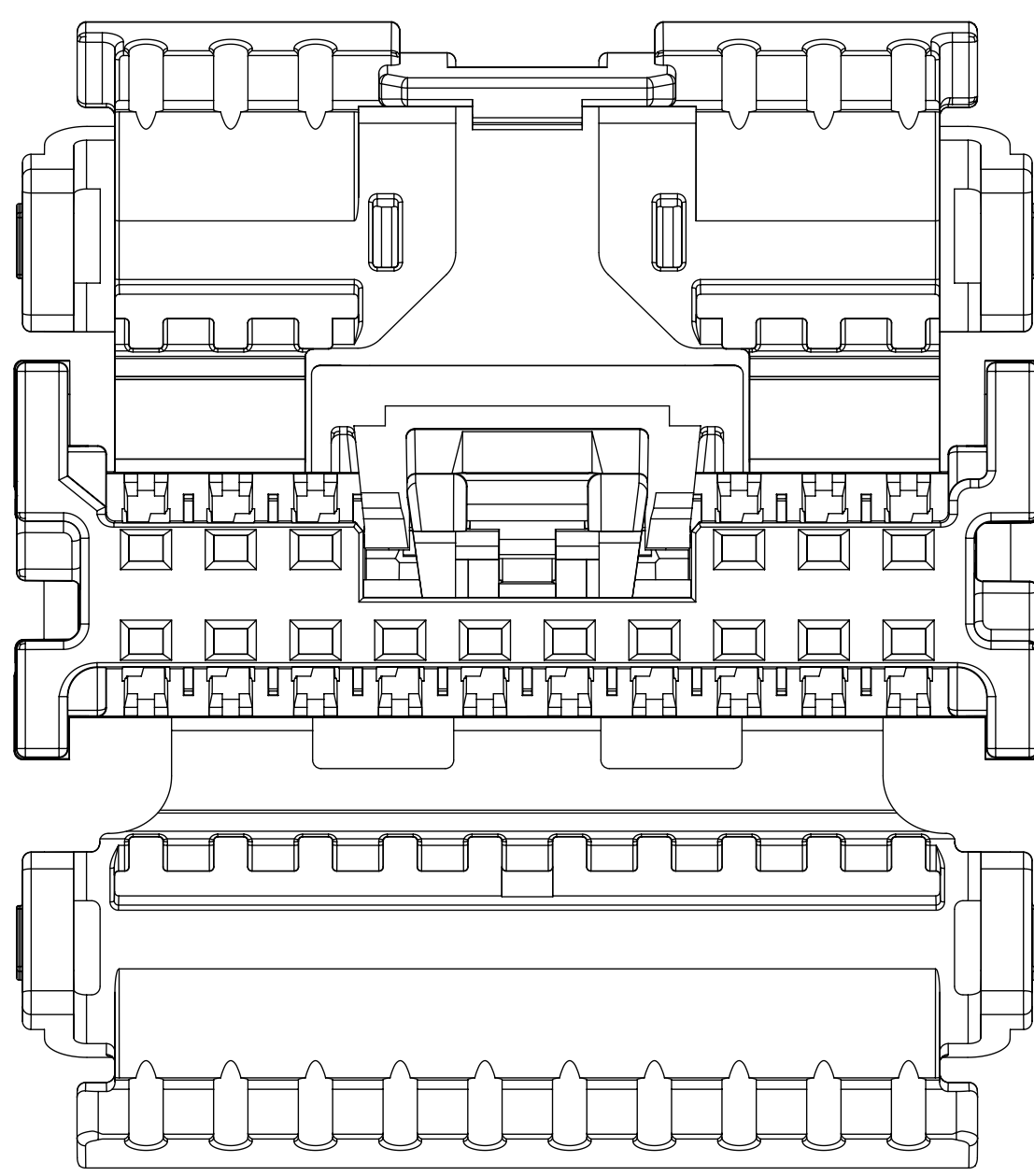
12 CIRCUIT RECEPTACLE WITH LOCK BRIDGE
POLARIZATION OPTION A
USCAR COMPATIBLE



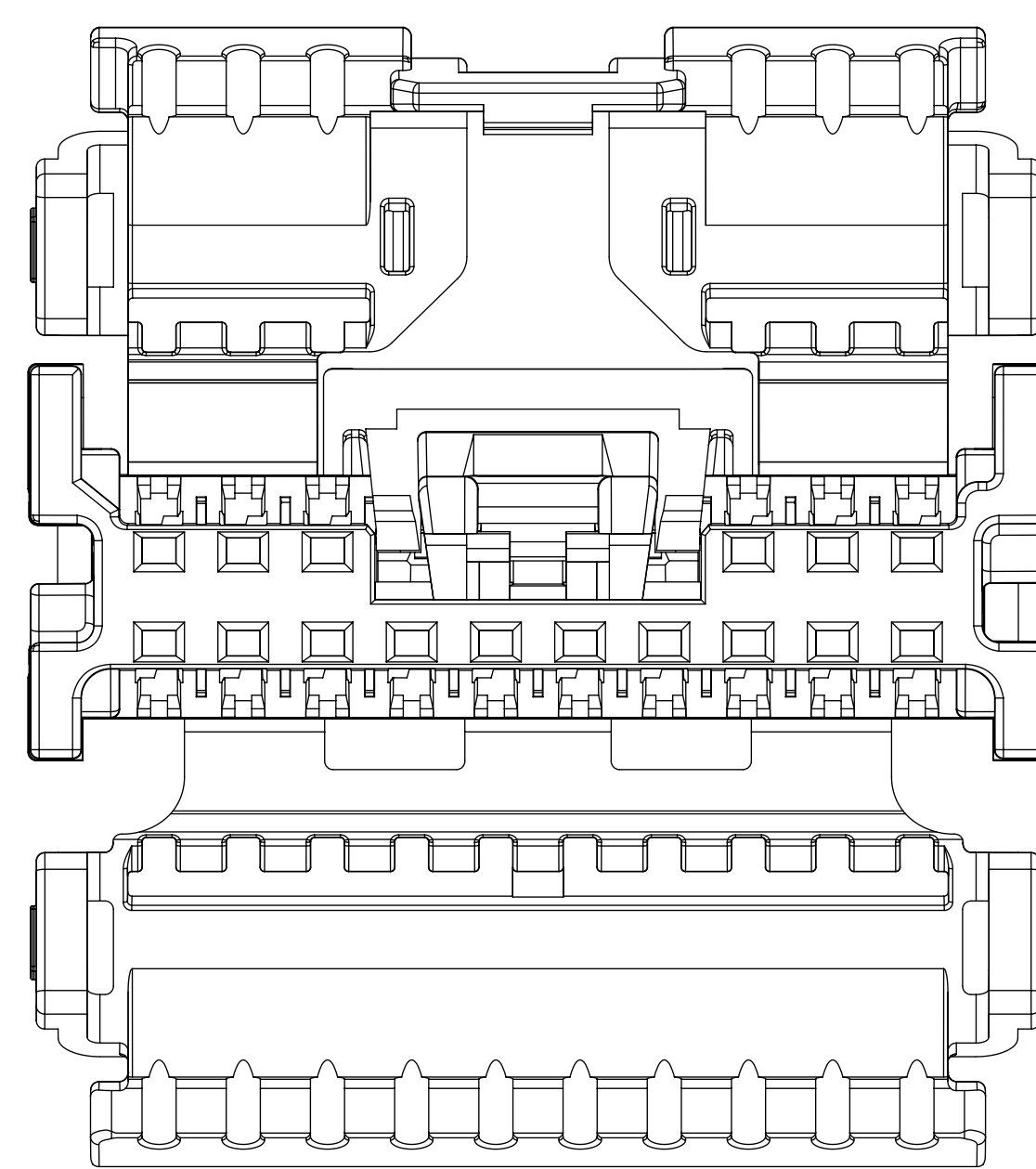
12 CIRCUIT RECEPTACLE WITH LOCK BRIDGE
POLARIZATION OPTION B
USCAR COMPATIBLE



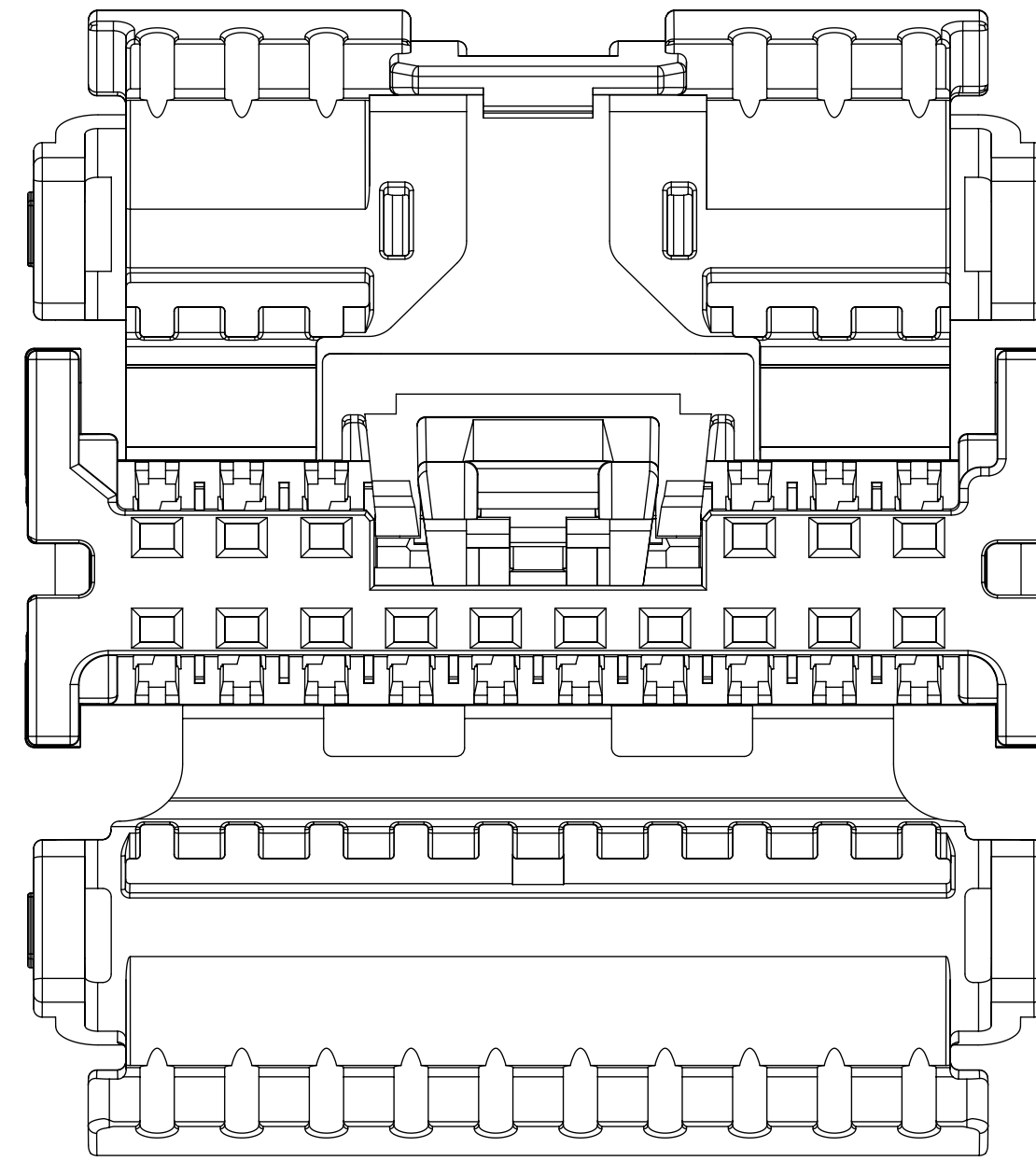
12 CIRCUIT RECEPTACLE WITH LOCK BRIDGE
POLARIZATION OPTION C
USCAR COMPATIBLE



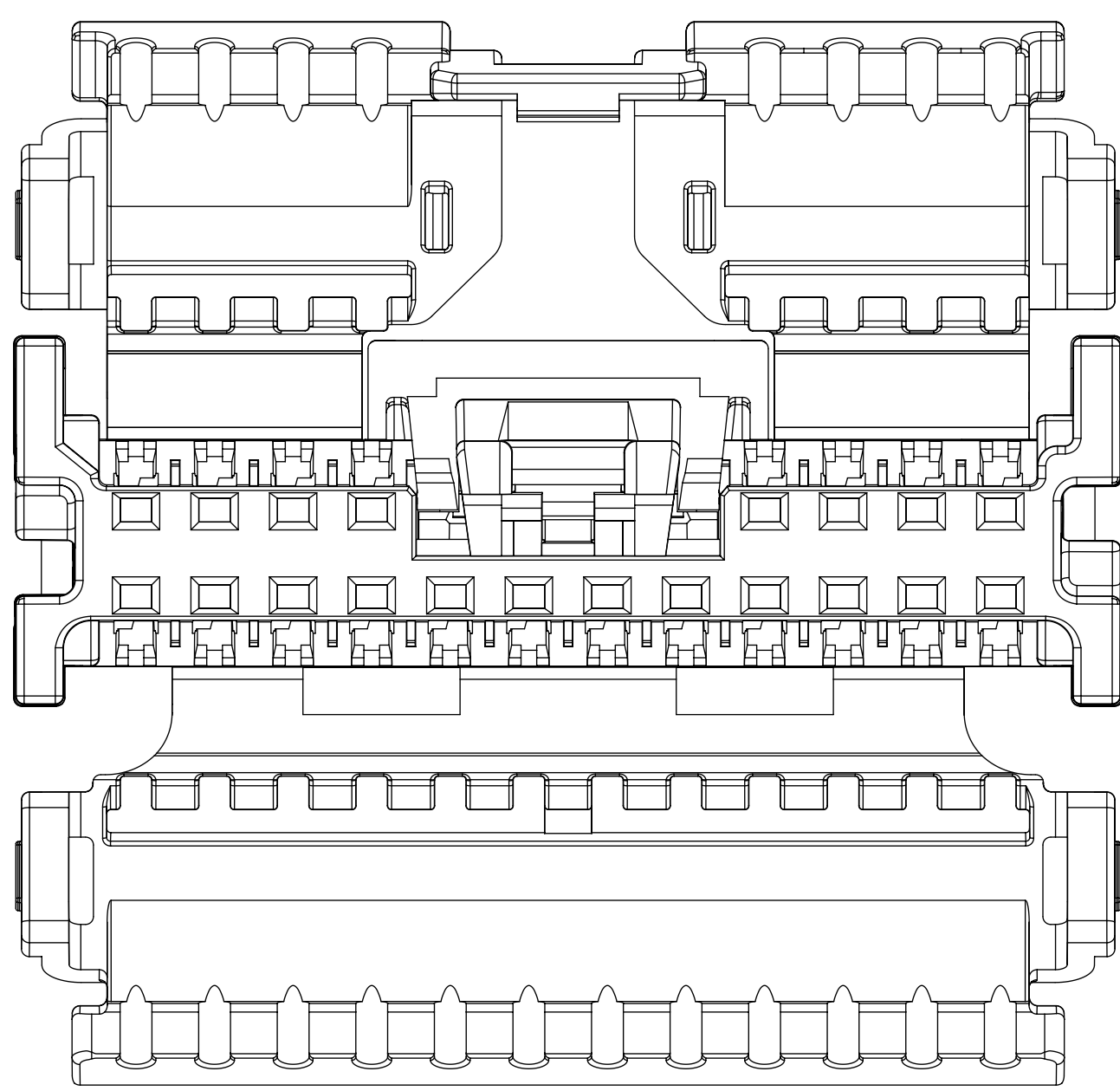
16 CIRCUIT RECEPTACLE WITH LOCK BRIDGE
POLARIZATION OPTION A



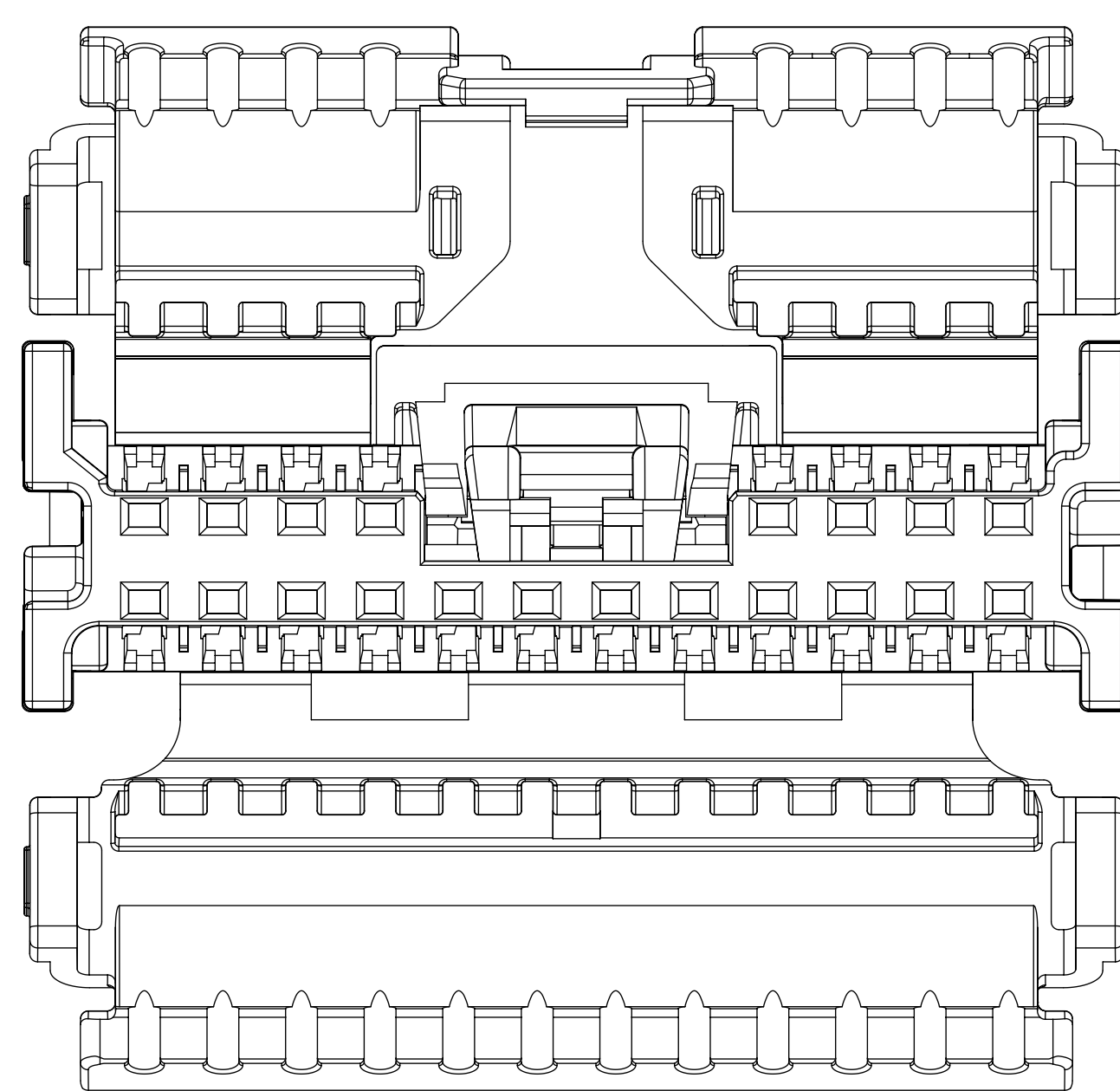
16 CIRCUIT RECEPTACLE WITH LOCK BRIDGE
POLARIZATION OPTION B



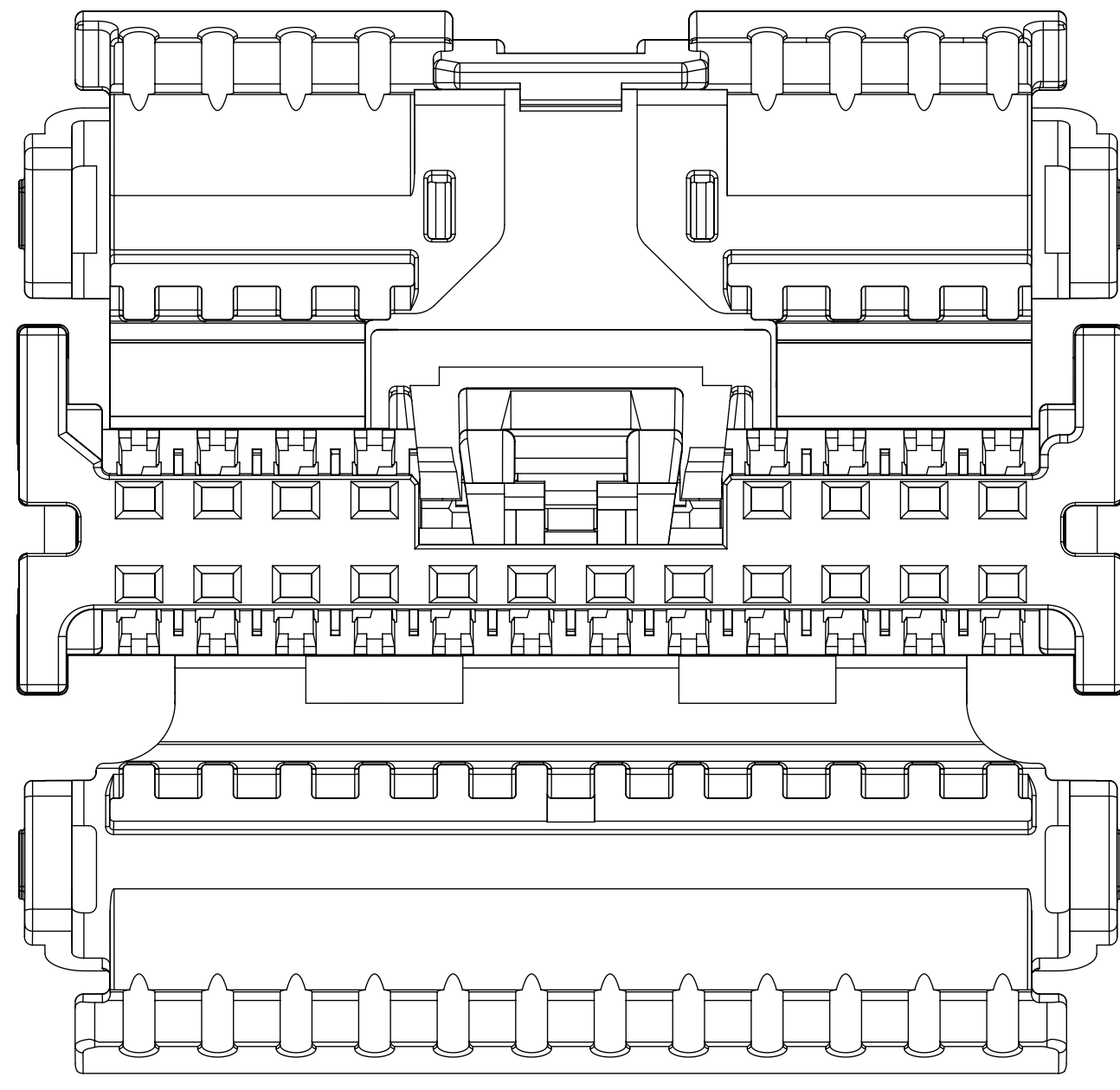
16 CIRCUIT RECEPTACLE WITH LOCK BRIDGE
POLARIZATION OPTION C



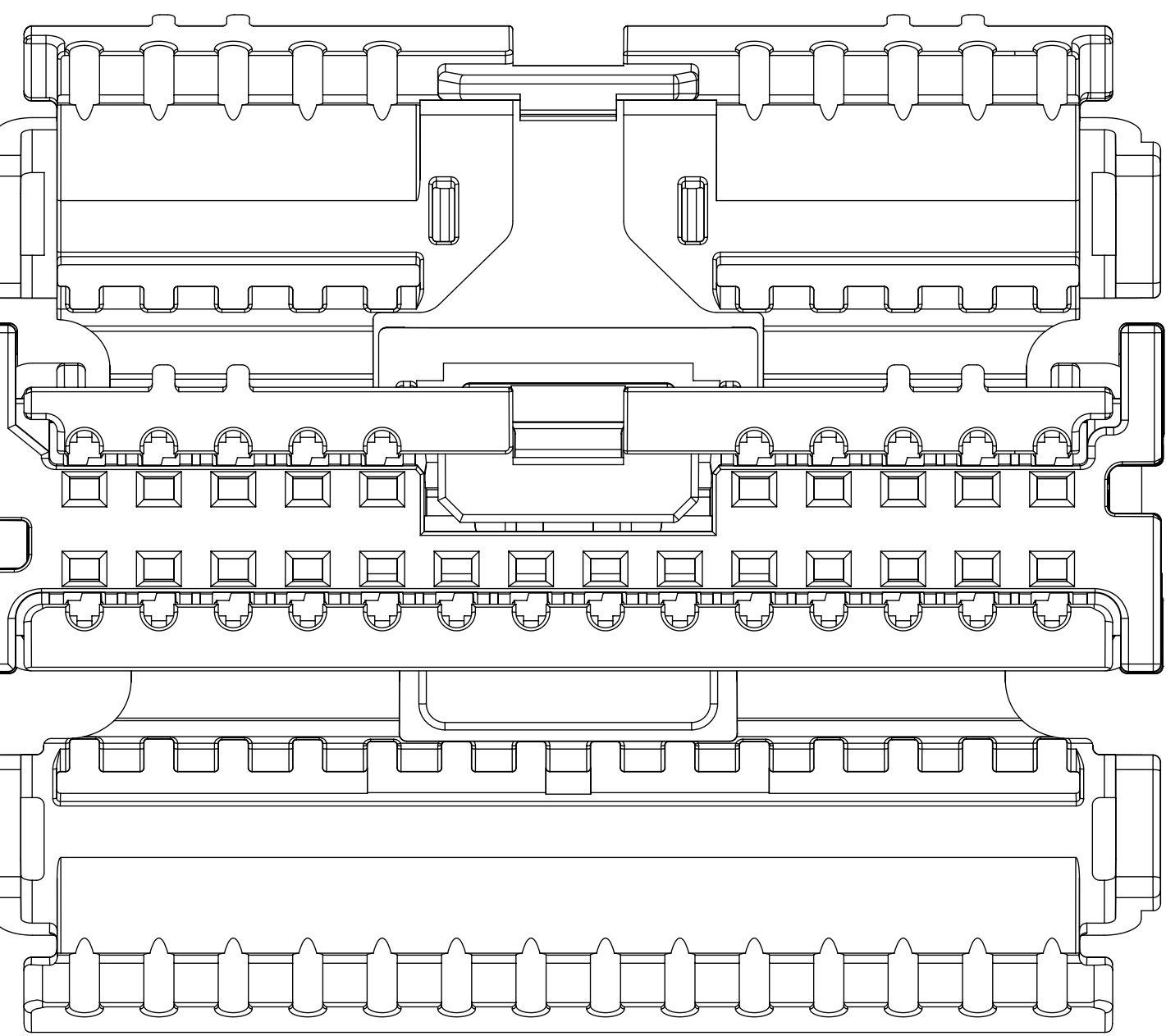
20 CIRCUIT RECEPTACLE WITH LOCK BRIDGE
POLARIZATION OPTION A



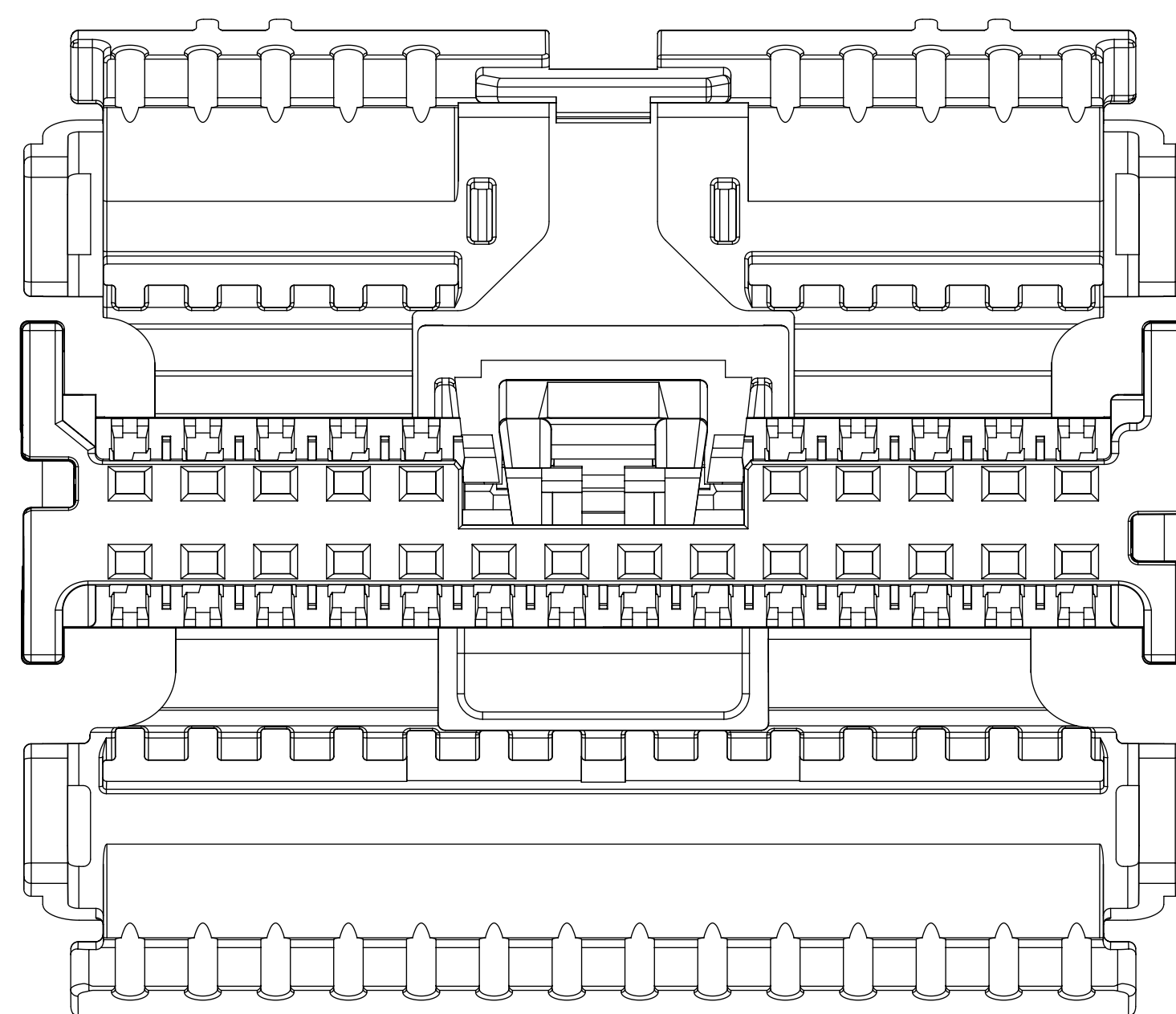
20 CIRCUIT RECEPTACLE WITH LOCK BRIDGE
POLARIZATION OPTION B



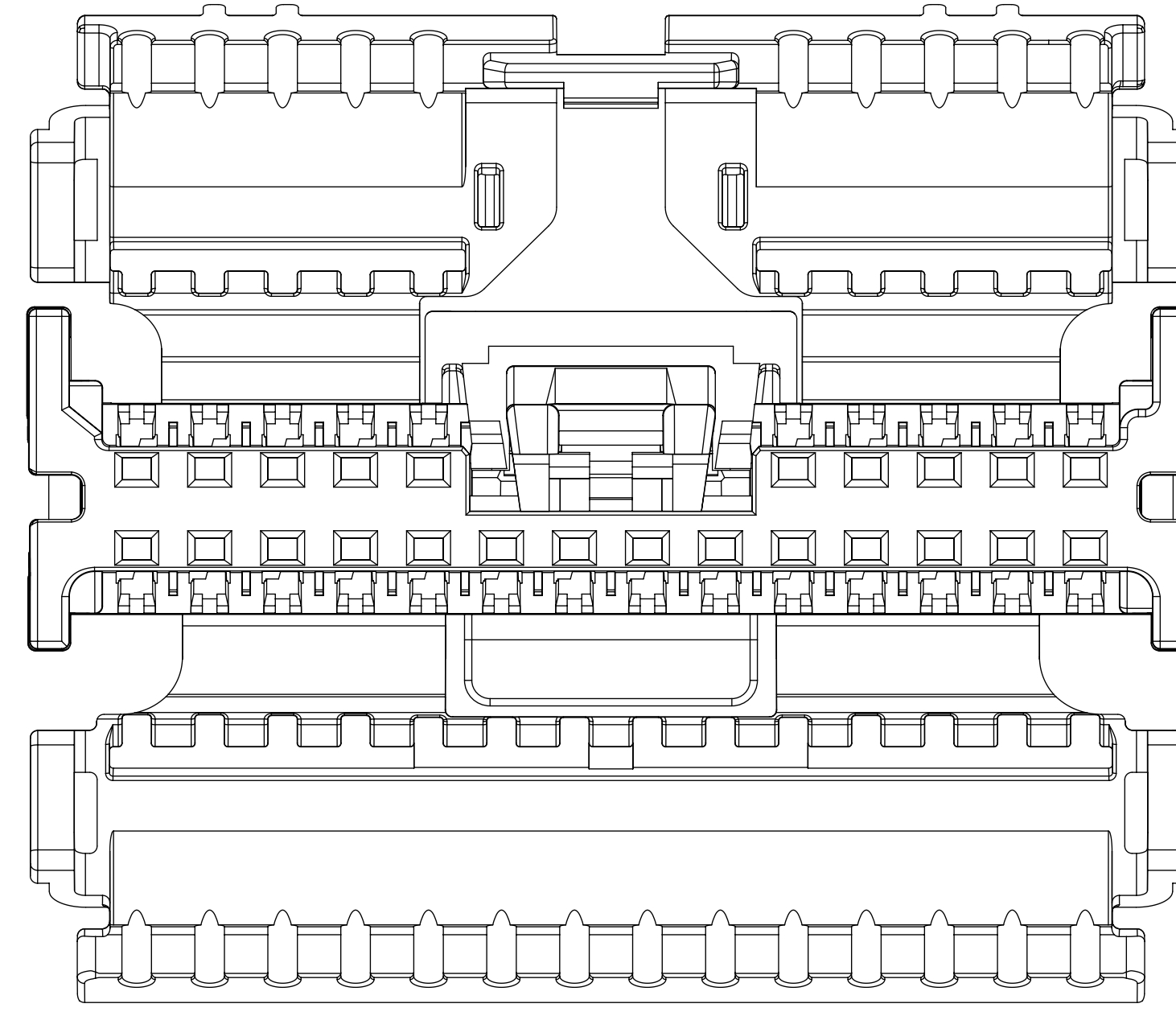
20 CIRCUIT RECEPTACLE WITH LOCK BRIDGE
POLARIZATION OPTION C



24 CIRCUIT RECEPTACLE WITH LOCK BRIDGE
POLARIZATION OPTION A



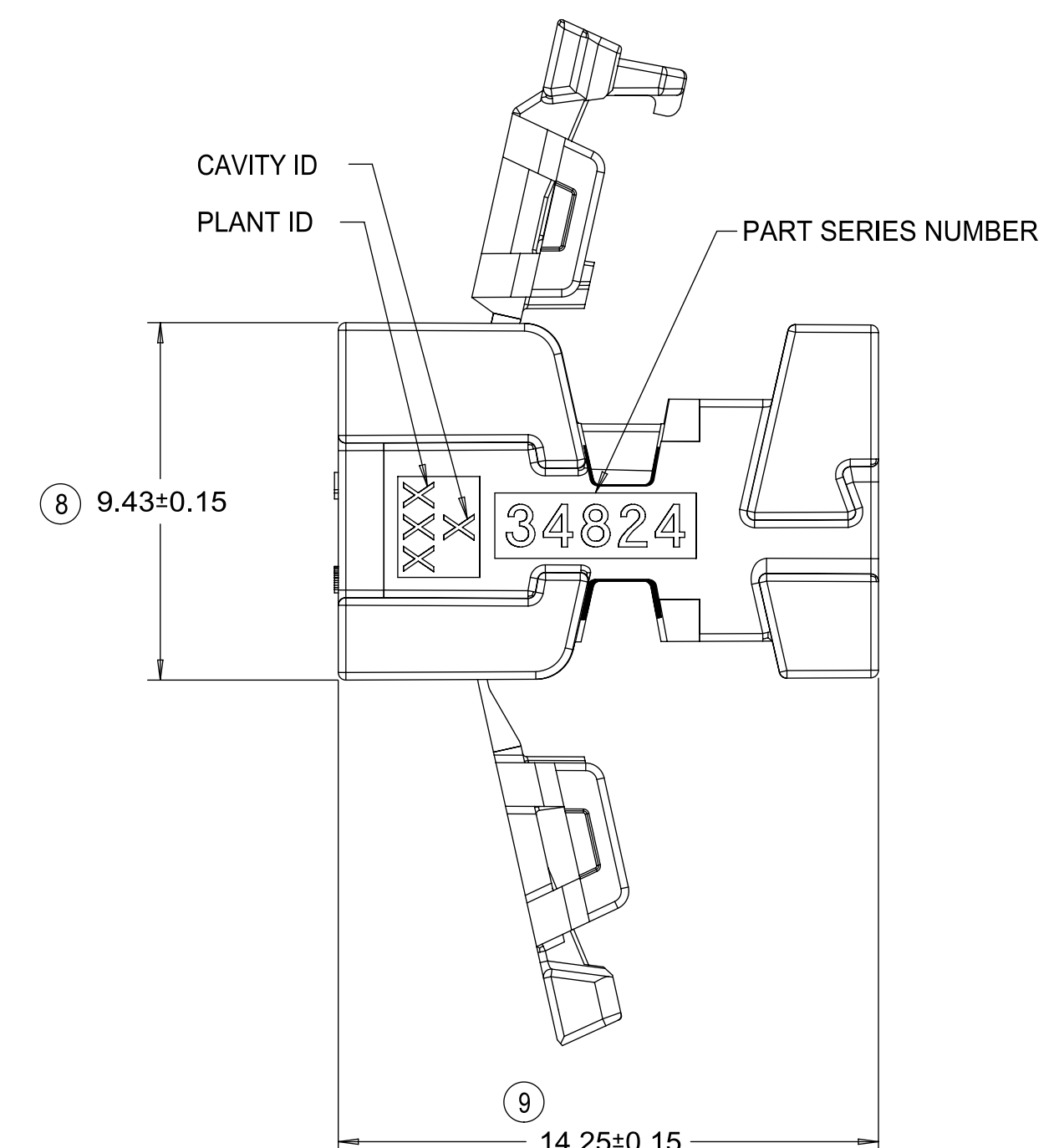
24 CIRCUIT RECEPTACLE WITH LOCK BRIDGE
POLARIZATION OPTION B



24 CIRCUIT RECEPTACLE WITH LOCK BRIDGE
POLARIZATION OPTION C

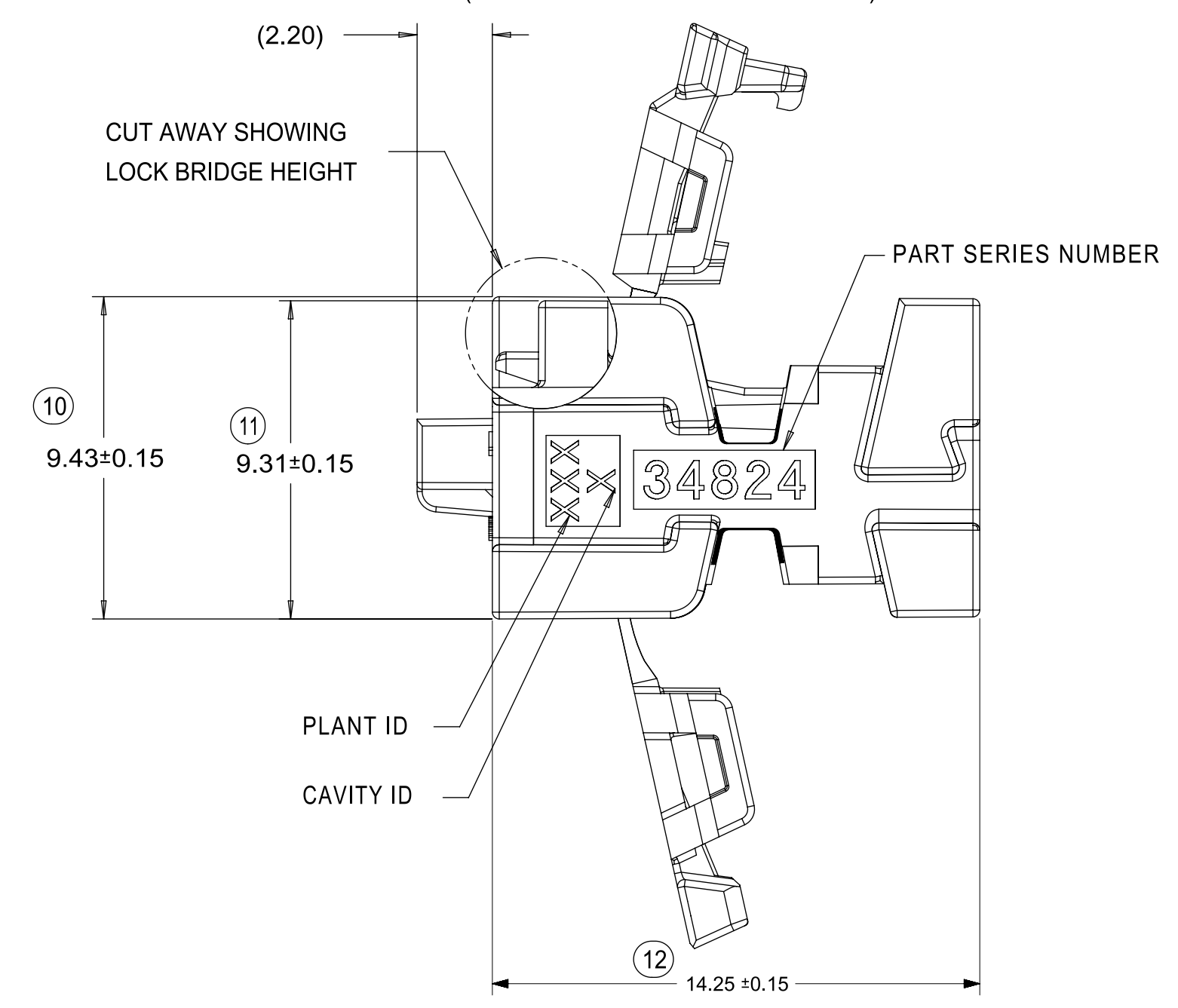
THIS DRAWING CONTAINS INFORMATION THAT IS PROPRIETARY TO MOLEX ELECTRONIC TECHNOLOGIES, LLC AND SHOULD NOT BE USED WITHOUT WRITTEN PERMISSION																								
QUALITY SYMBOLS 	EC NO:	2018/08/02	GENERAL TOLERANCES (UNLESS SPECIFIED)	DIMENSION UNITS	SCALE																			
	DRWN:	KHEWITT	ANGULAR TOL ± °	MM ONLY	6:1																			
	CHKD:	JDUNAJ	4 PLACES ±	DRWN BY	DATE	MINI50 DUAL ROW RECEPTACLE SALES DRAWING																		
	REV APPR:	JDUNAJ	3 PLACES ±	TCUCU	2011/03/10																			
	L4			2 PLACES ± 0.1	CHK'D BY	DATE	PRODUCT CUSTOMER DRAWING																	
				1 PLACE ± 0.2	TMACHUGA	2011/03/11																		
				0 PLACES ±	APPR BY	DATE	<table border="1"> <tr> <td>SERIES</td> <td>MATERIAL NUMBER</td> <td>CUSTOMER</td> </tr> <tr> <td>34824</td> <td>SEE TABLE</td> <td>GENERAL MARKET</td> </tr> <tr> <td>DOCUMENT NUMBER</td> <td>DOC TYPE</td> <td>DOC PART</td> <td>SHEET NUMBER</td> </tr> <tr> <td>SD-34824-002</td> <td>PSD</td> <td>001</td> <td>2 OF 4</td> </tr> </table>				SERIES	MATERIAL NUMBER	CUSTOMER	34824	SEE TABLE	GENERAL MARKET	DOCUMENT NUMBER	DOC TYPE	DOC PART	SHEET NUMBER	SD-34824-002	PSD	001	2 OF 4
	SERIES	MATERIAL NUMBER	CUSTOMER																					
	34824	SEE TABLE	GENERAL MARKET																					
	DOCUMENT NUMBER	DOC TYPE	DOC PART	SHEET NUMBER																				
SD-34824-002	PSD	001	2 OF 4																					
			DRAFT WHERE APPLICABLE MUST REMAIN WITHIN DIMENSIONS	DRAWING SIZE	THIRD ANGLE PROJECTION																			
				E																				

(NON-BRIDGED OPTION SHOWN BELOW)

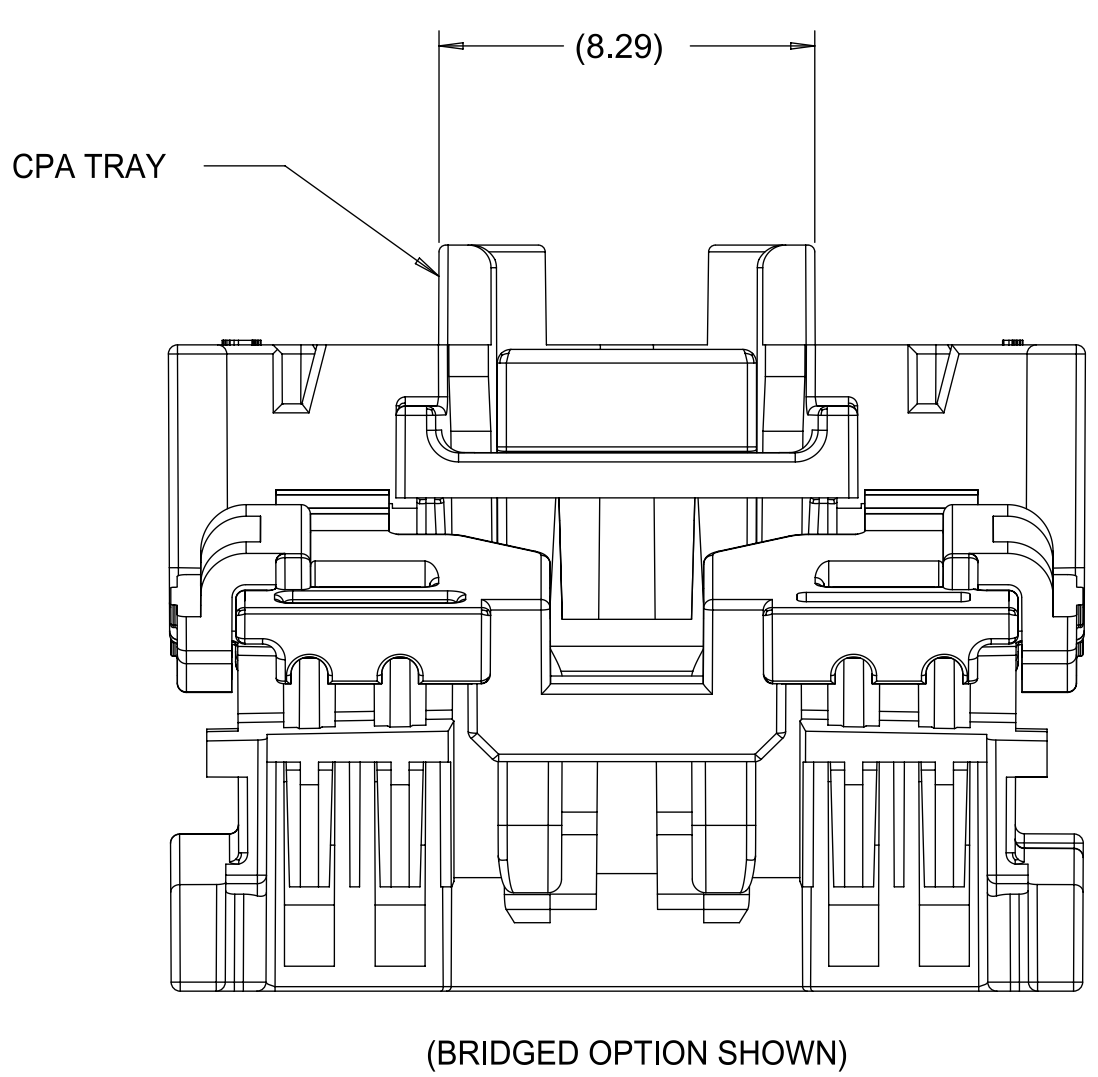


*NOTE: DIM 9 & DIM 12 TOLERANCE IS +0.30/-0.15 FOR THE FOLLOWING P/NS:
 34824-0164/5/6; 34824-1164/5/6
 34824-0204/5/6; 34824-1204/5/6
 34824-0244/5/6; 34824-1244/5/6

(BRIDGED OPTION SHOWN BELOW)

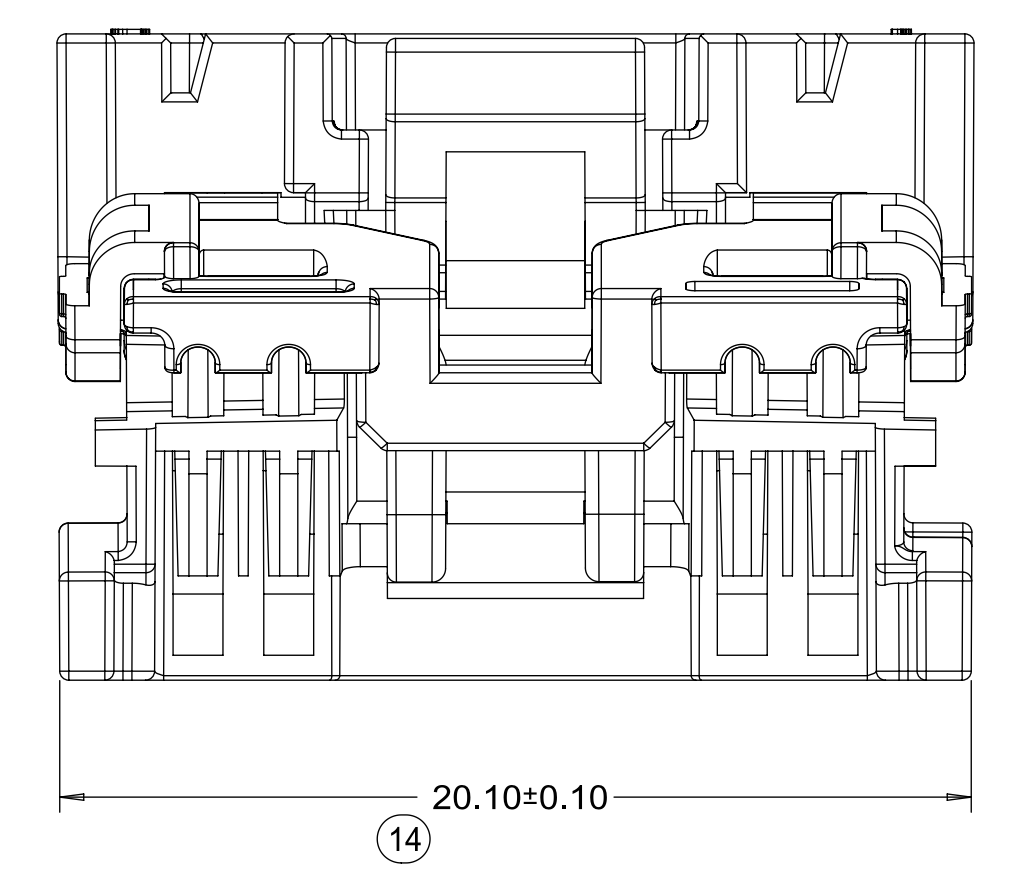


*NOTE: DIM 9 & DIM 12 TOLERANCE IS +0.30/-0.15 FOR THE FOLLOWING P/NS:
 34824-0164/5/6; 34824-1164/5/6
 34824-0204/5/6; 34824-1204/5/6
 34824-0244/5/6; 34824-1244/5/6

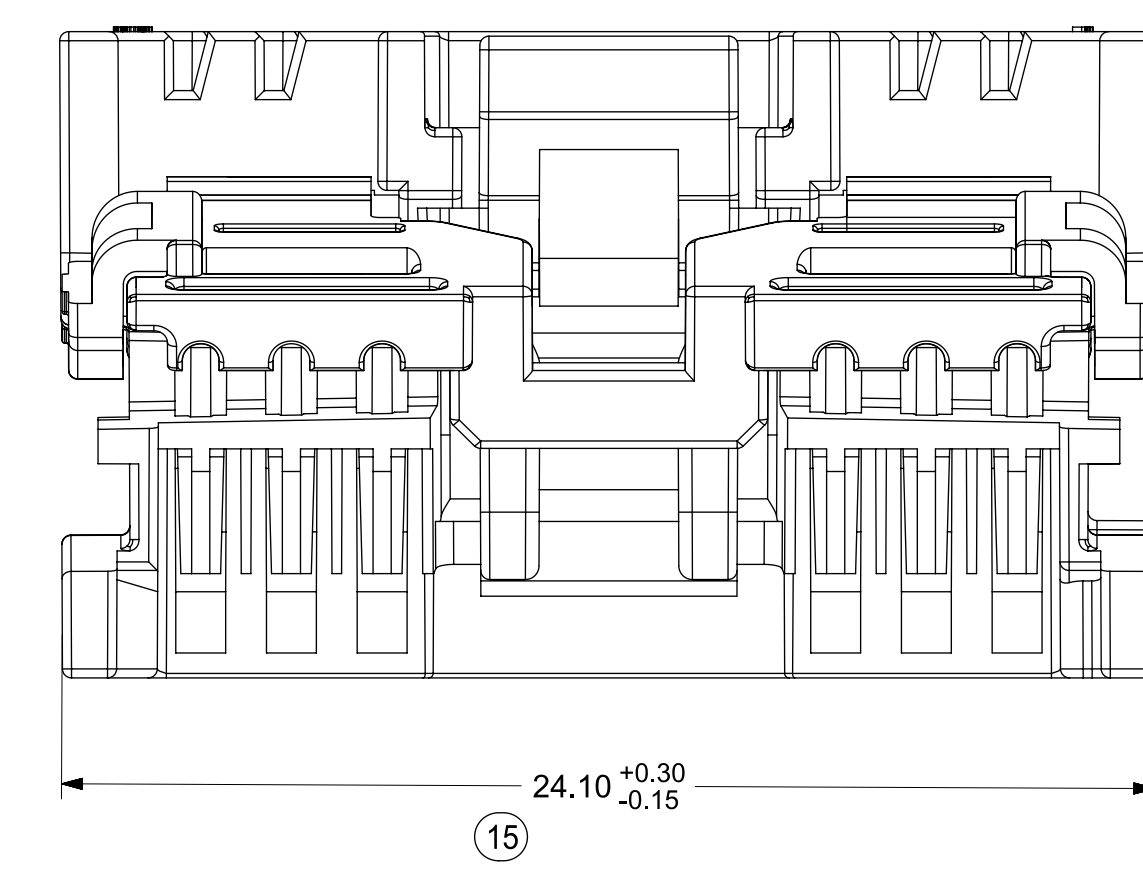


(BRIDGED OPTION SHOWN)

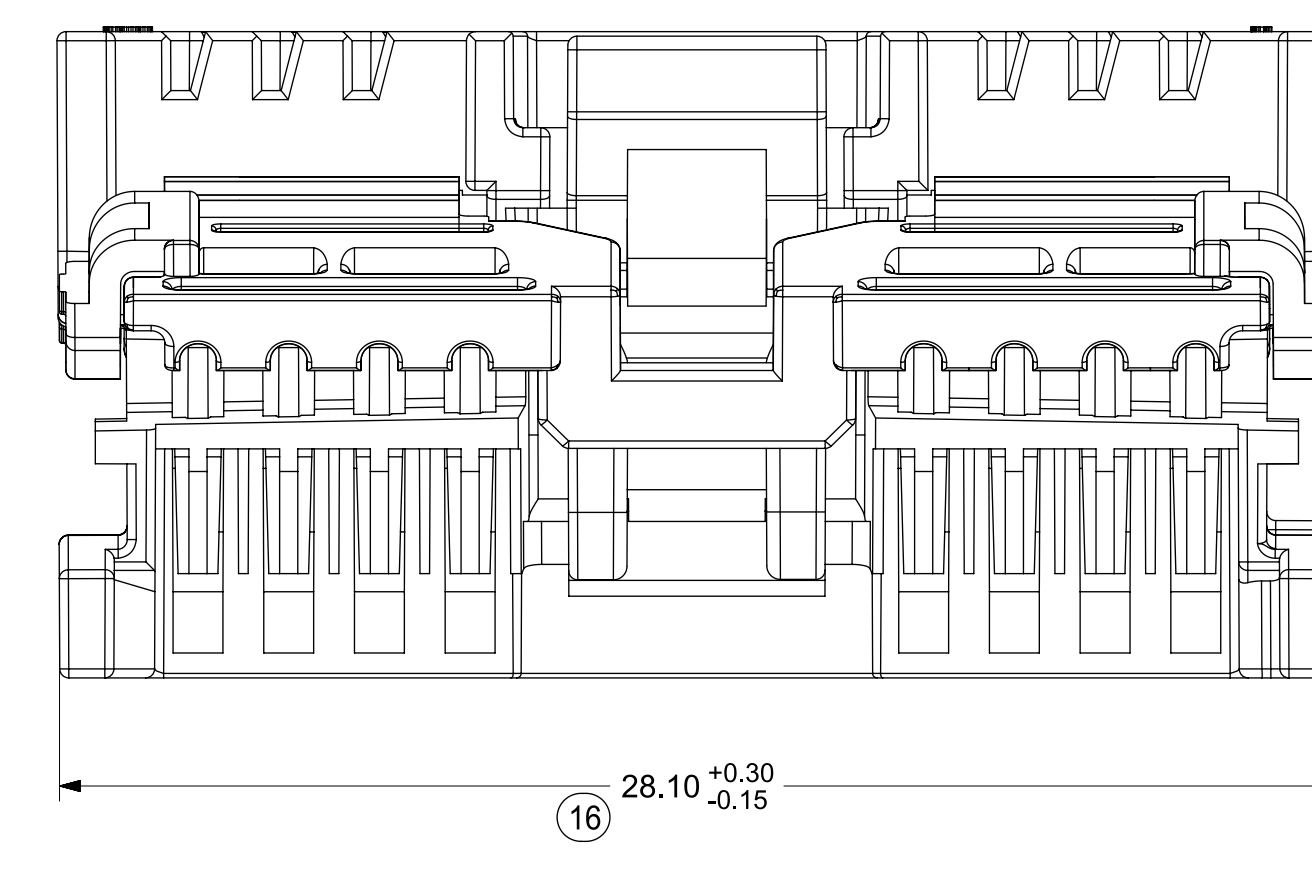
12 CIRCUIT USCAR COMPATIBLE RECEPTACLE



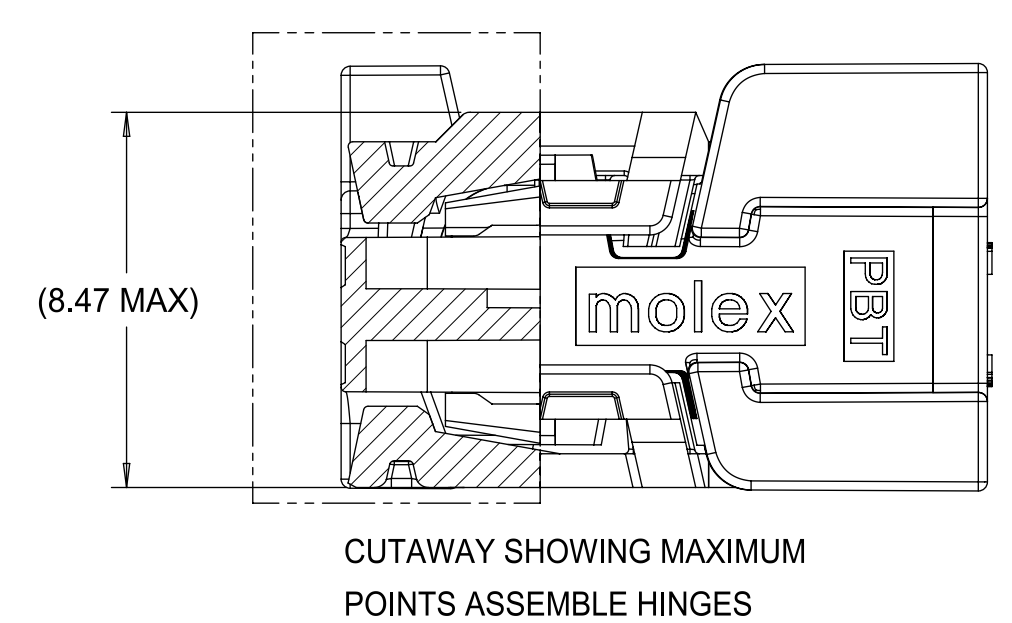
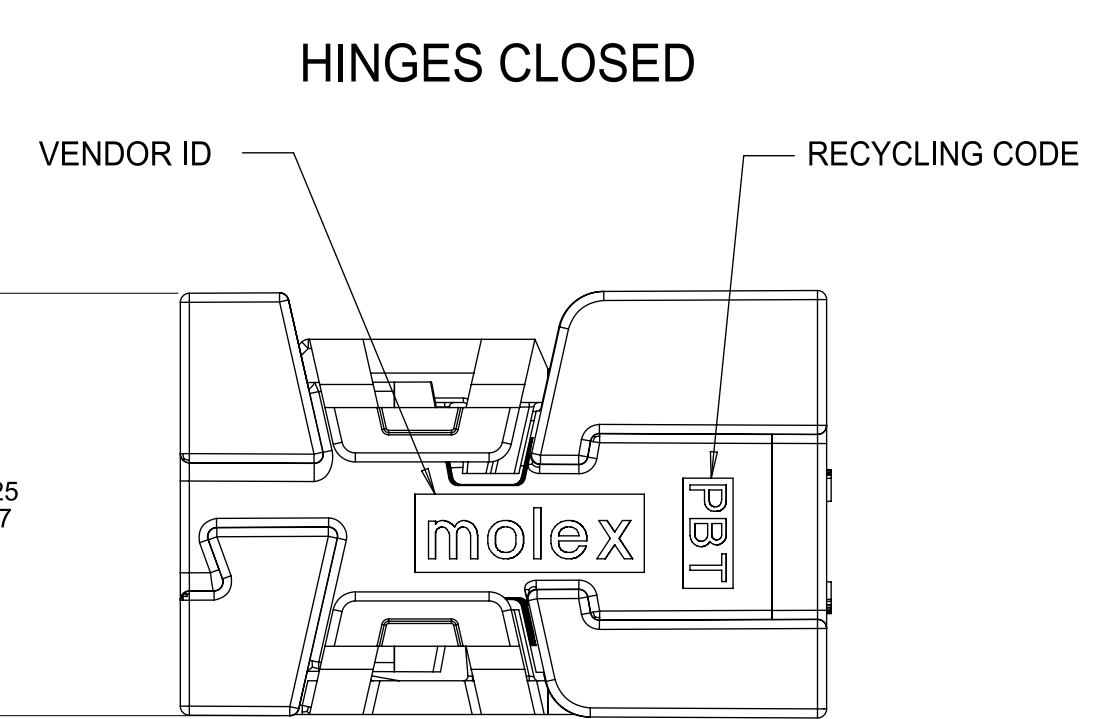
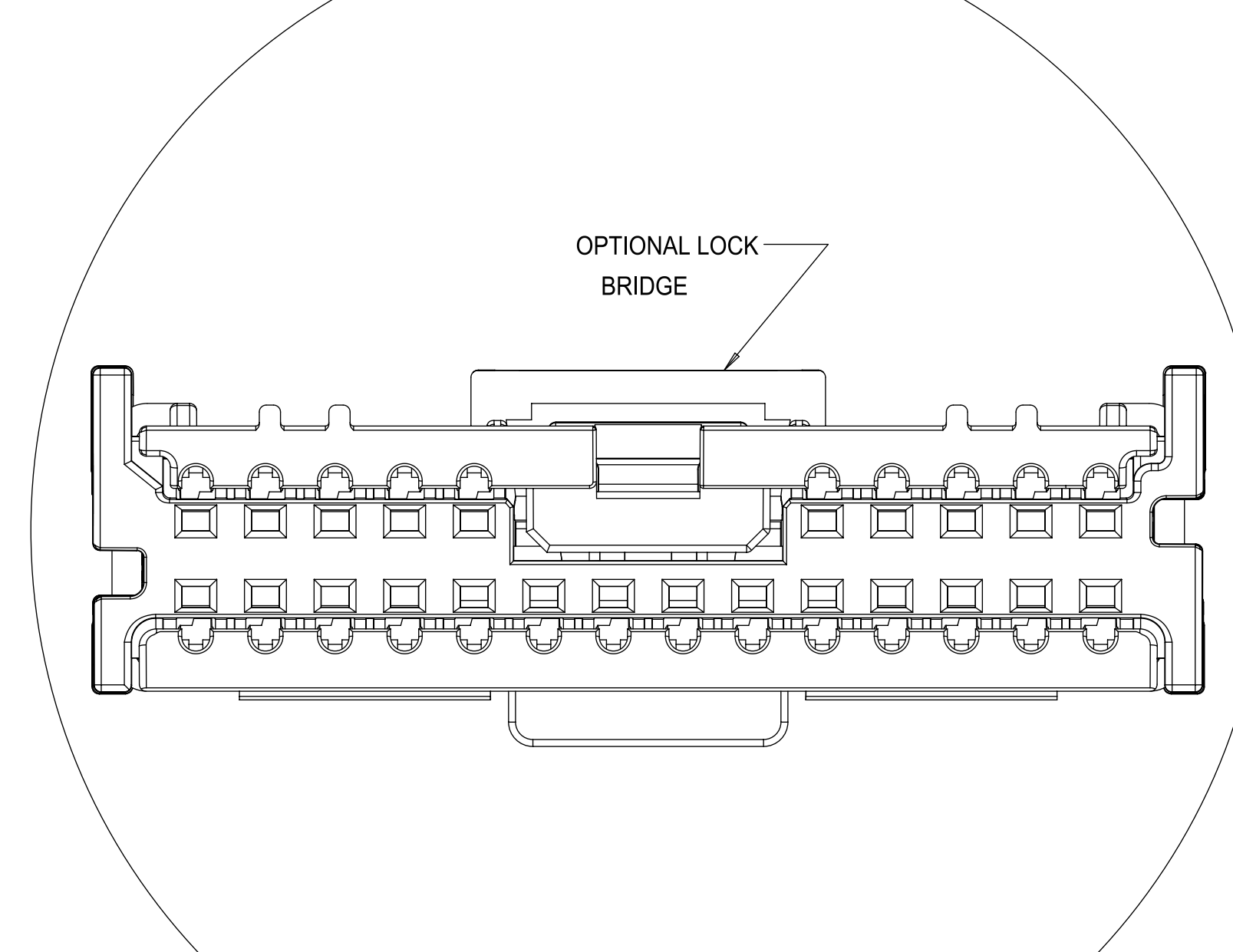
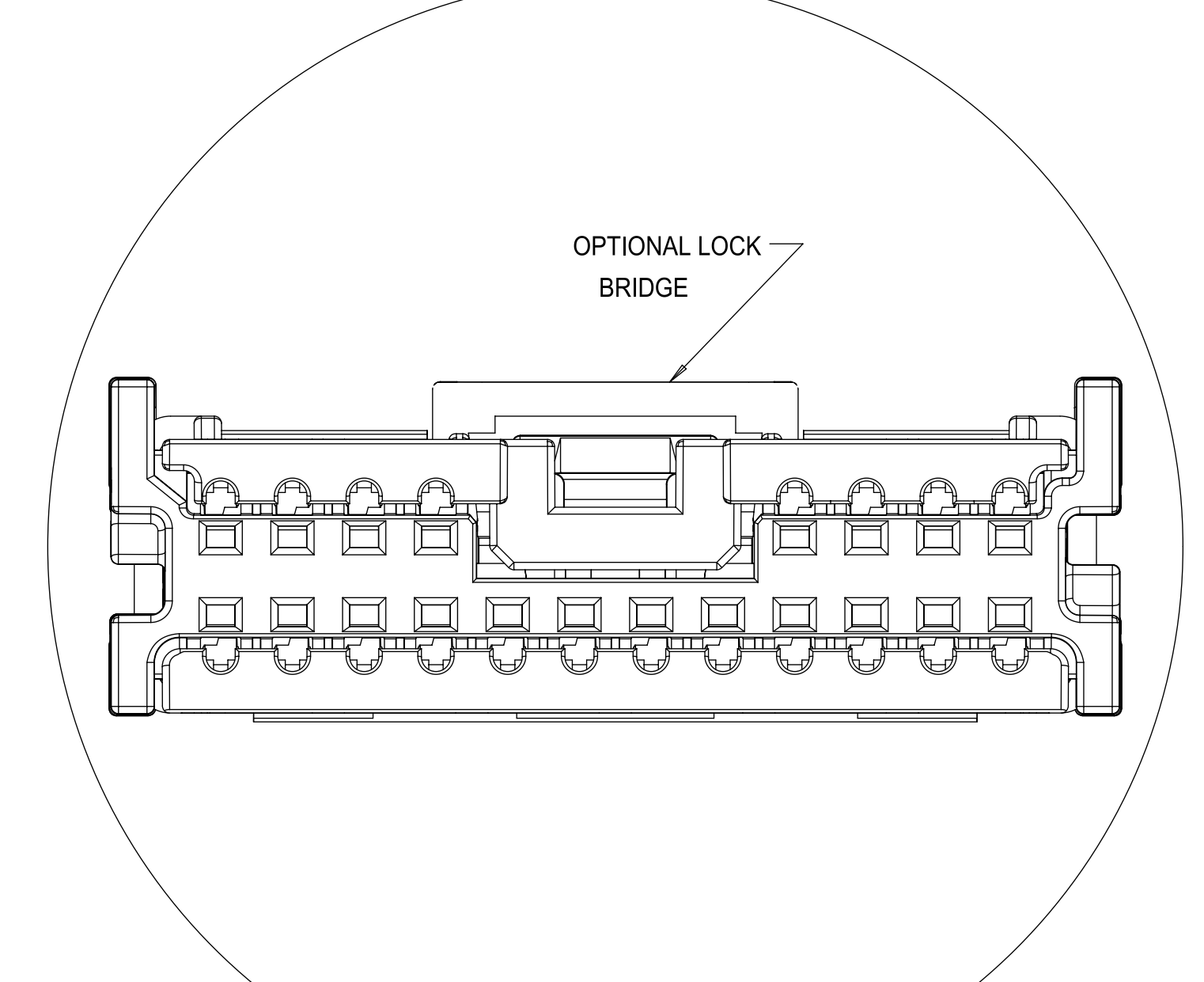
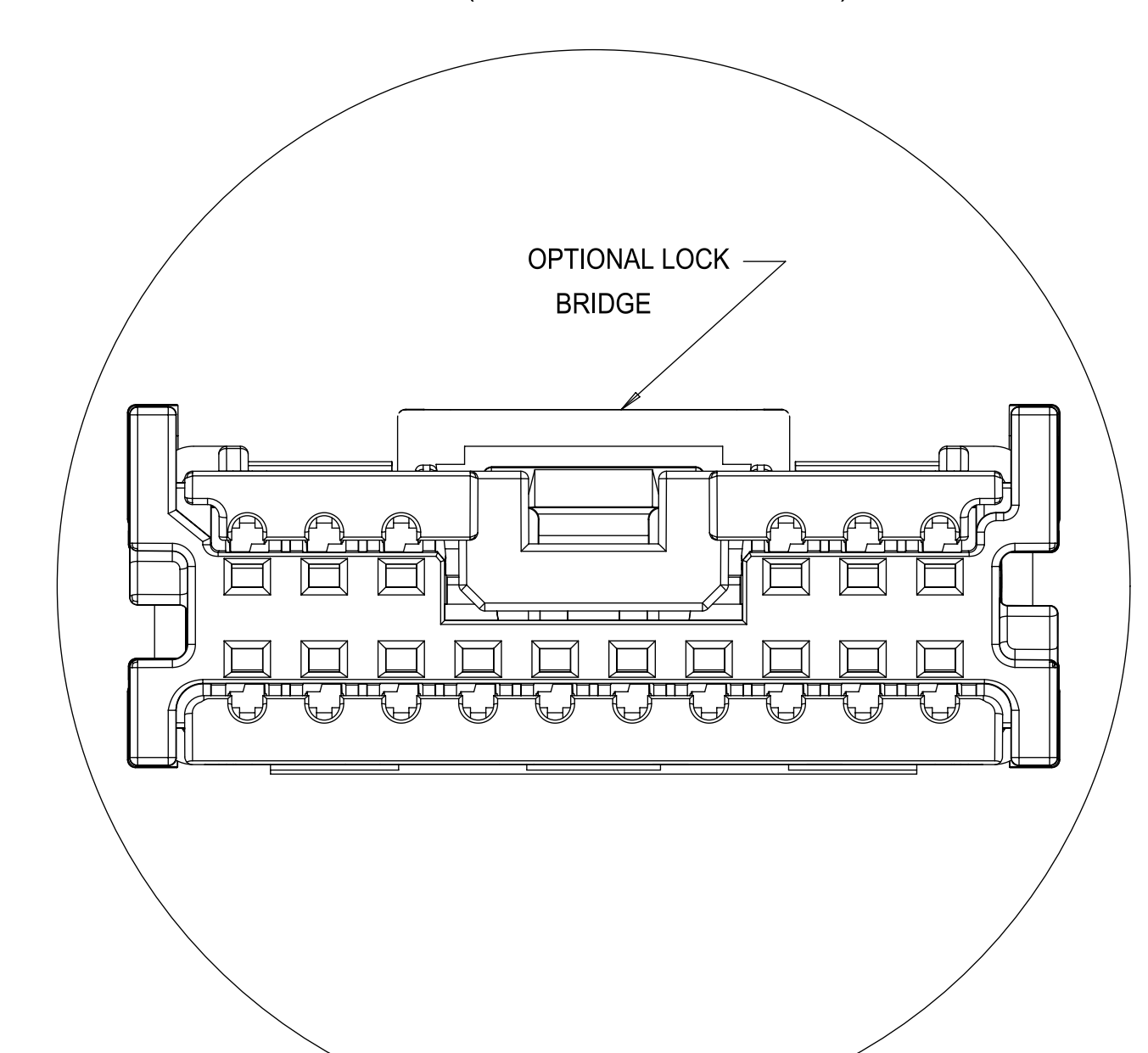
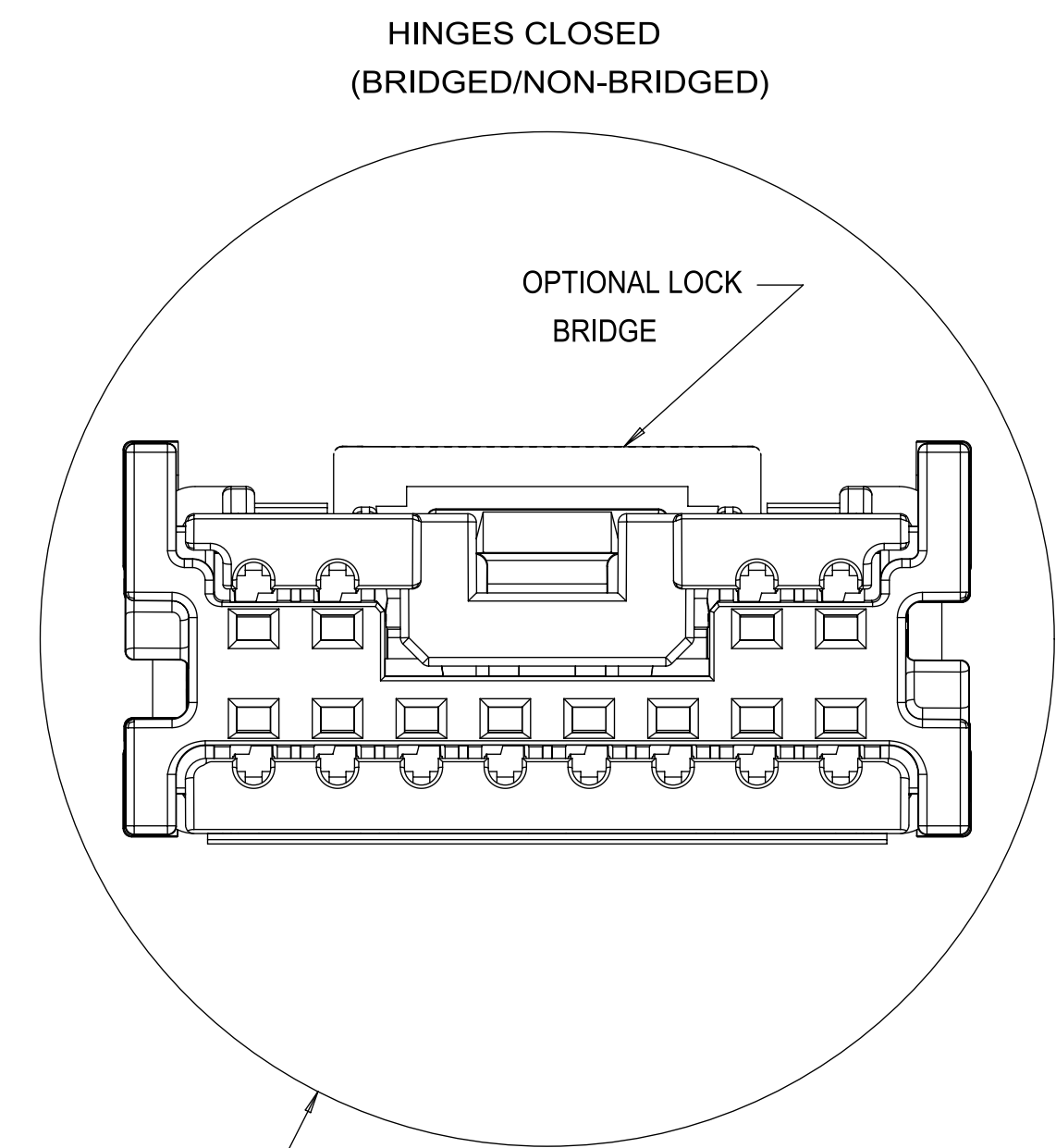
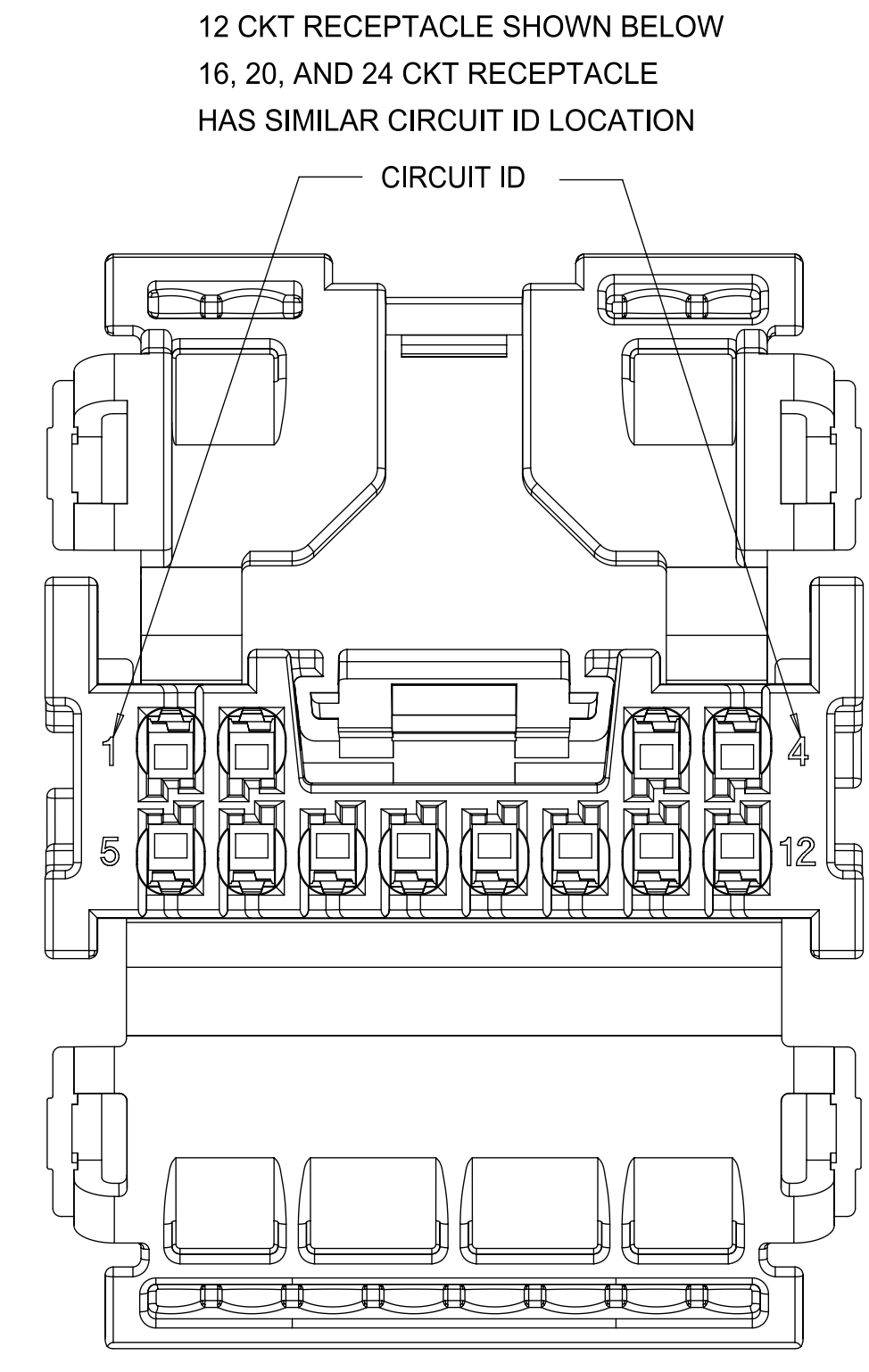
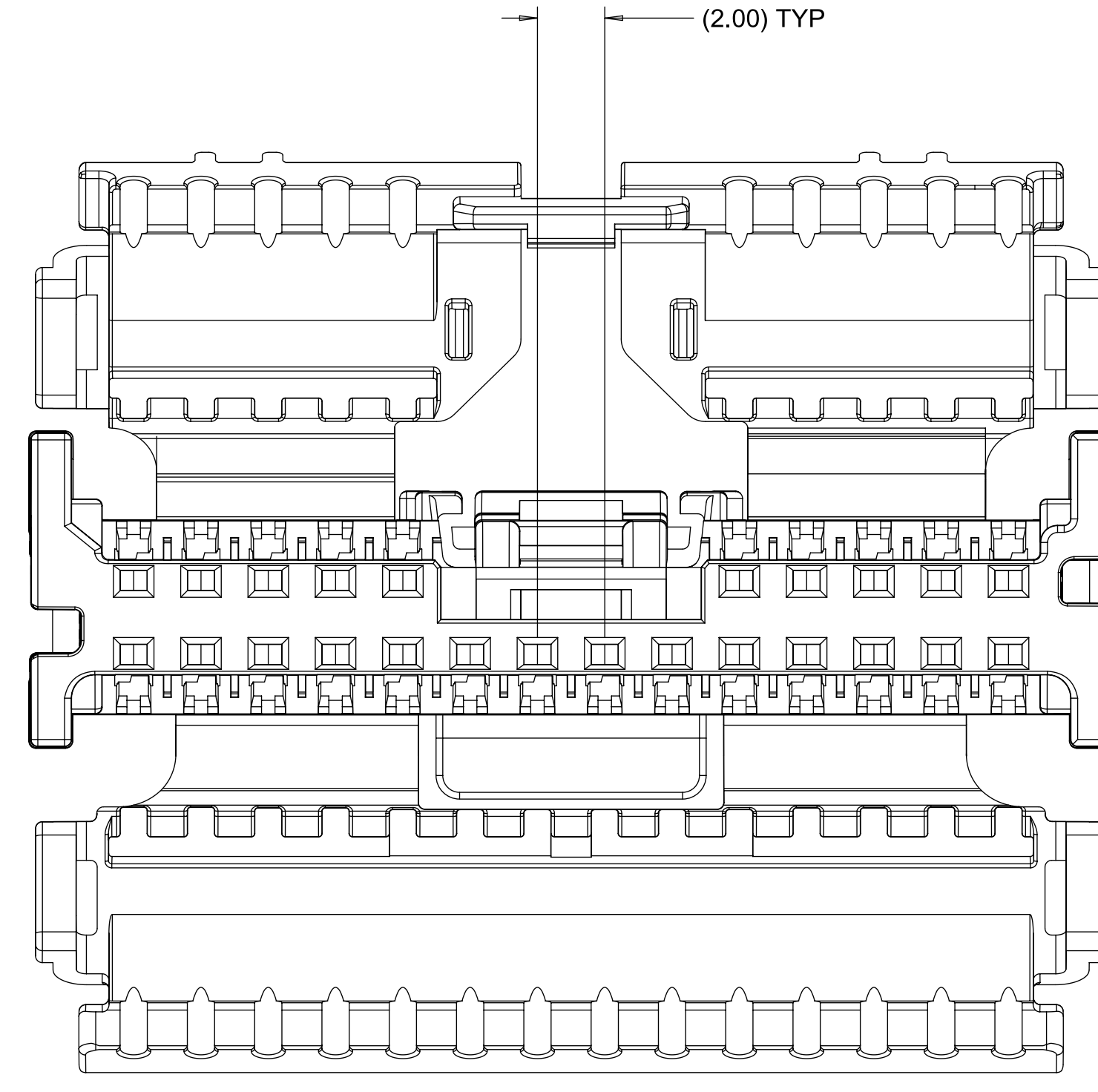
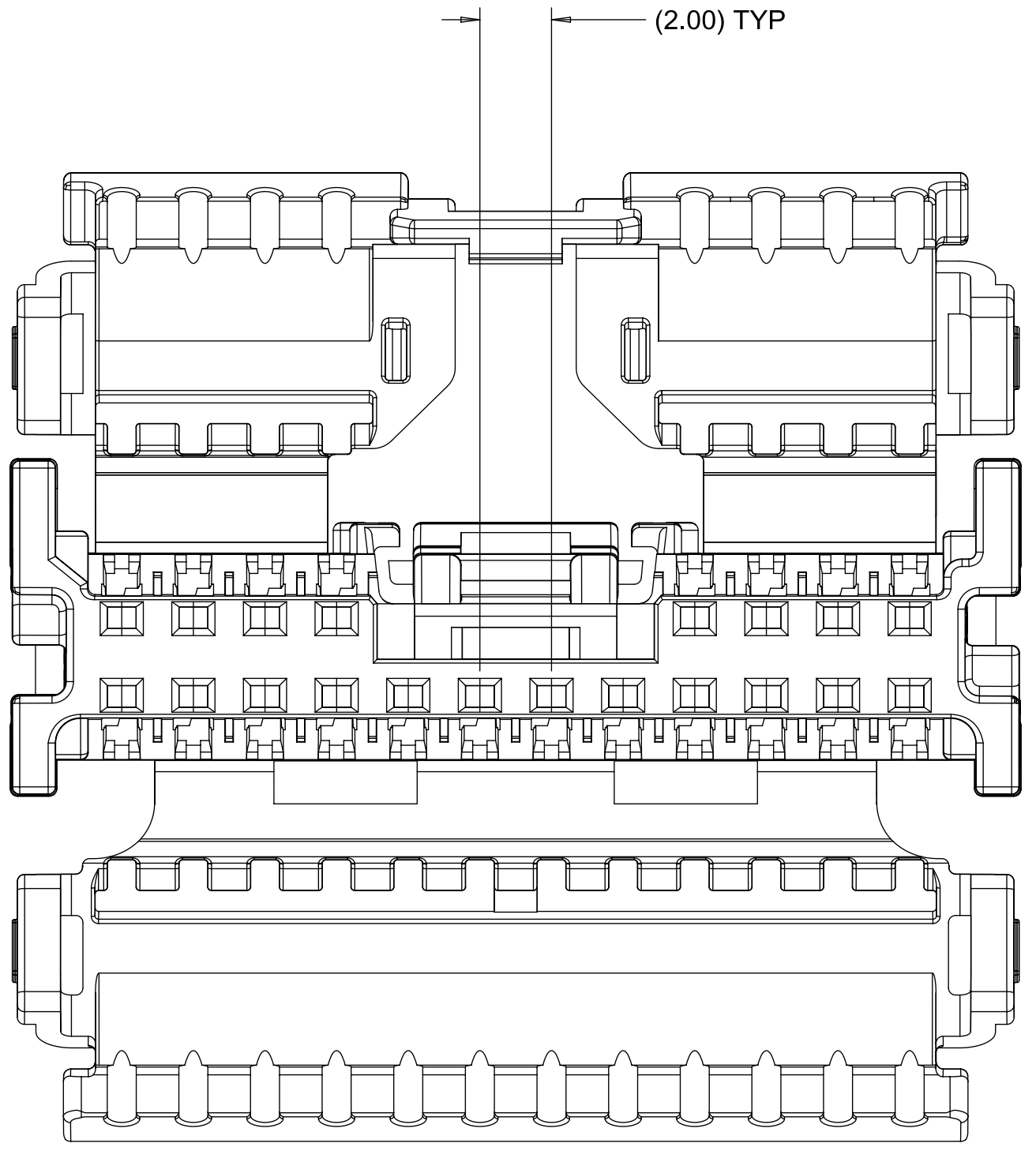
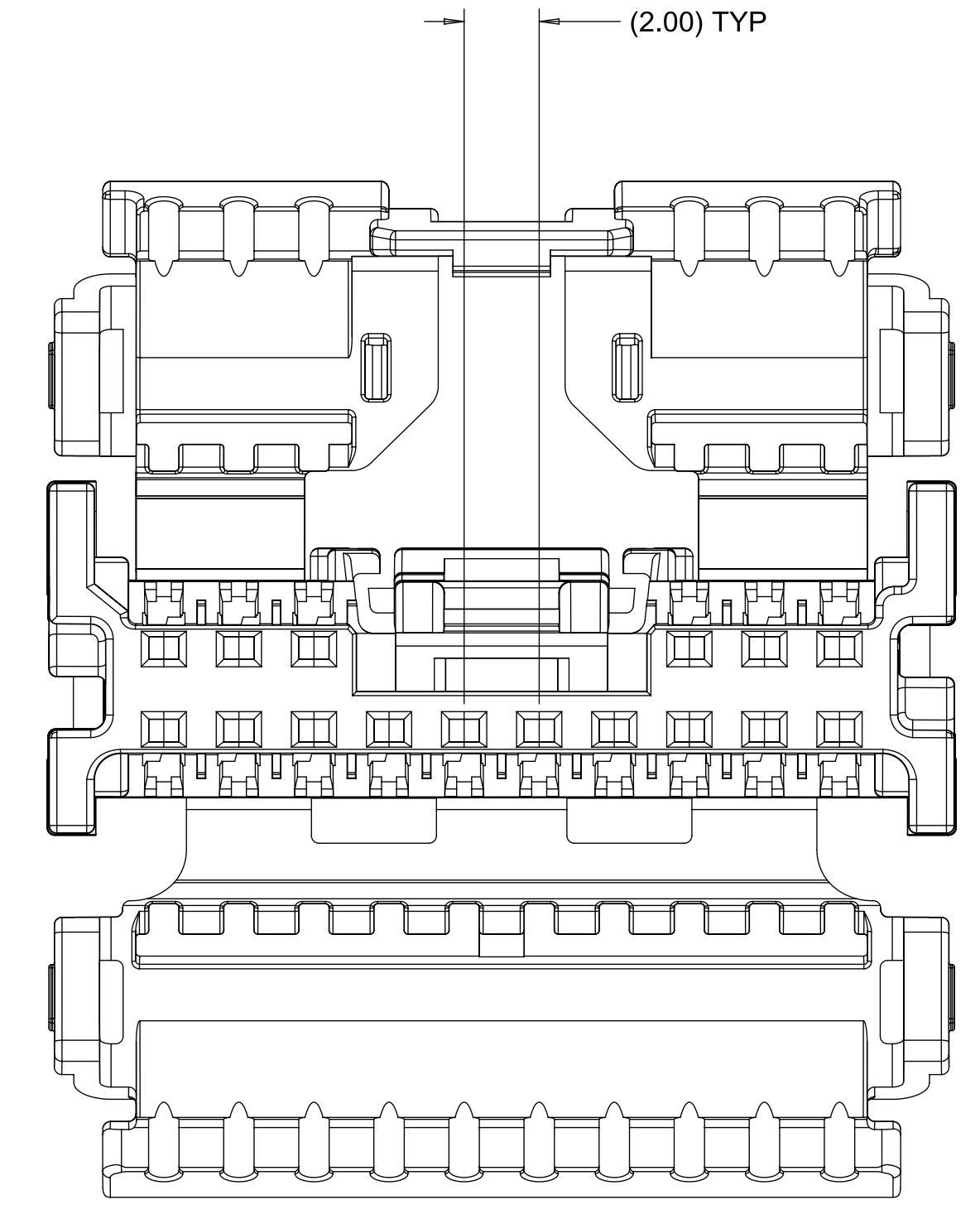
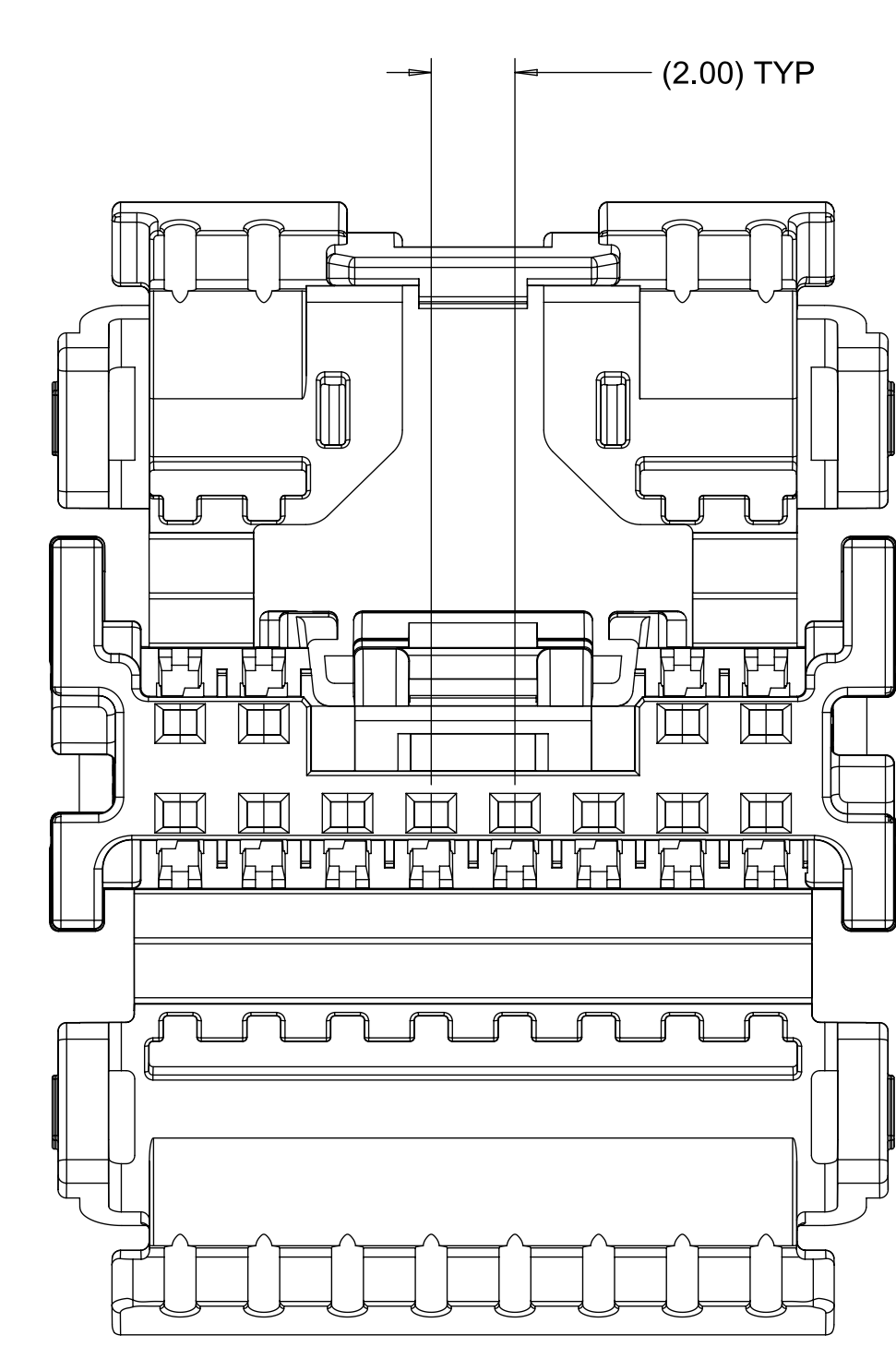
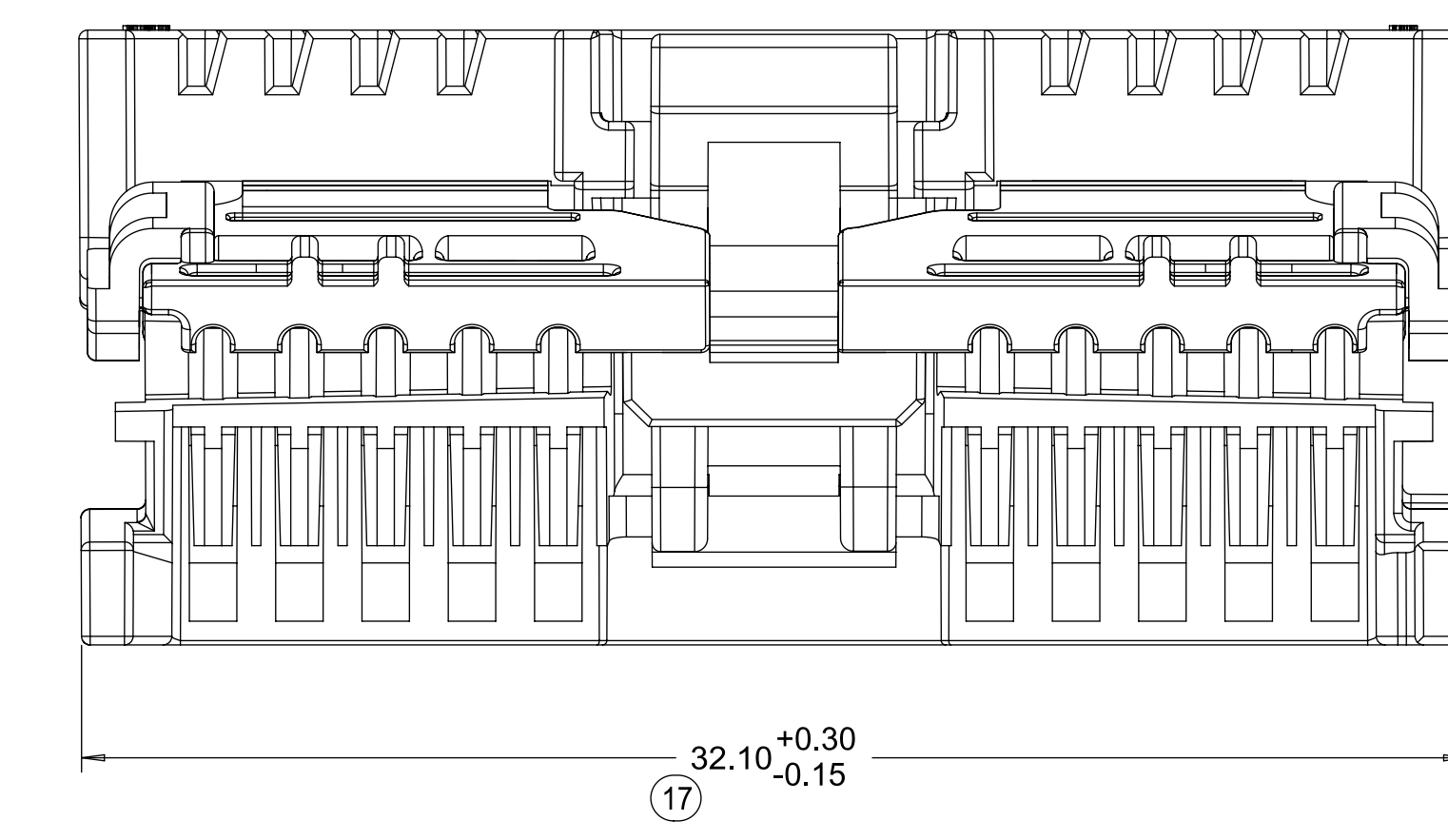
16 CIRCUIT RECEPTACLE



20 CIRCUIT RECEPTACLE



24 CIRCUIT RECEPTACLE



THIS DRAWING CONTAINS INFORMATION THAT IS PROPRIETARY TO MOLEX ELECTRONIC TECHNOLOGIES, LLC AND SHOULD NOT BE USED WITHOUT WRITTEN PERMISSION										
QUALITY SYMBOLS	2018/08/02	2018/09/05	2018/09/05	GENERAL TOLERANCES (UNLESS SPECIFIED)	DIMENSION UNITS	SCALE				
A = 0 E = 0 F = 0 G = 0 H = 0 I = 0 J = 0 K = 0 L = 0 M = 0 N = 0 O = 0 P = 0 Q = 0 R = 0 S = 0 T = 0 U = 0 V = 0 W = 0 X = 0 Y = 0 Z = 0	603994	KHEWITT	JUNAJ	DRWN: KHEWITT CHKD: JUNAJ APPR: JUNAJ	MM ONLY	6:1				
				4 PLACES ±	TCUCU	2011/03/10	MINI50 DUAL ROW RECEPTACLE SALES DRAWING			
				3 PLACES ±	TMACHUGA	2011/03/11				
				2 PLACES ± 0.1	SMARCEAU	2012/05/21	PRODUCT CUSTOMER DRAWING			
				1 PLACE ± 0.2						
				0 PLACES ±			SERIES	MATERIAL NUMBER	CUSTOMER	
				DRAFT WHERE APPLICABLE MUST REMAIN WITHIN DIMENSIONS	DRAWING SIZE	THIRD ANGLE PROJECTION	34824	SEE TABLE	GENERAL MARKET	
					E		DOCUMENT NUMBER	DOC TYPE	DOC PART	SHEET NUMBER
							SD-34824-002	PSD	001	3 OF 4

