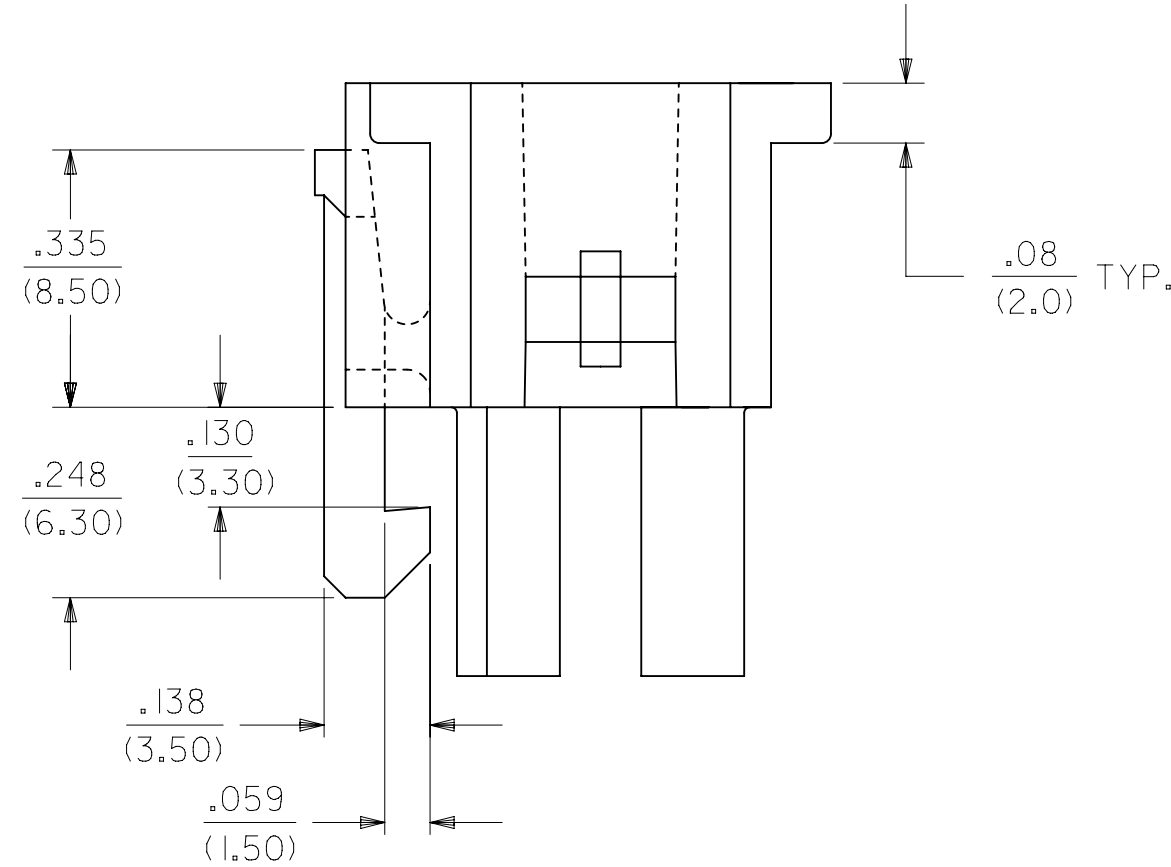
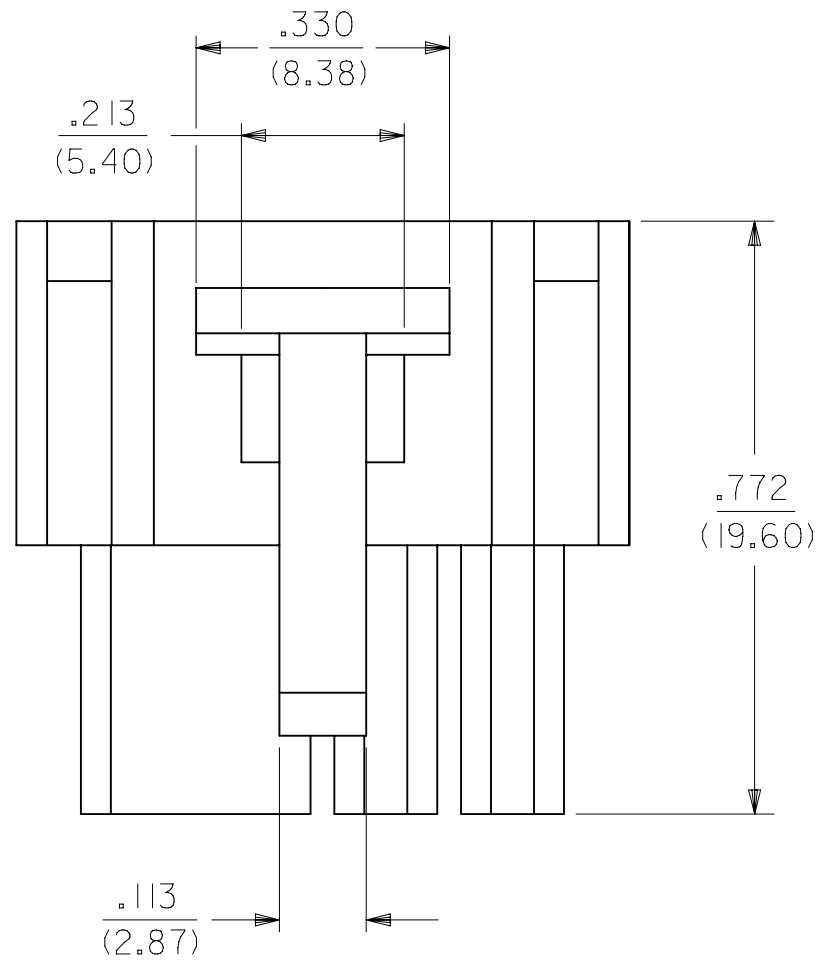
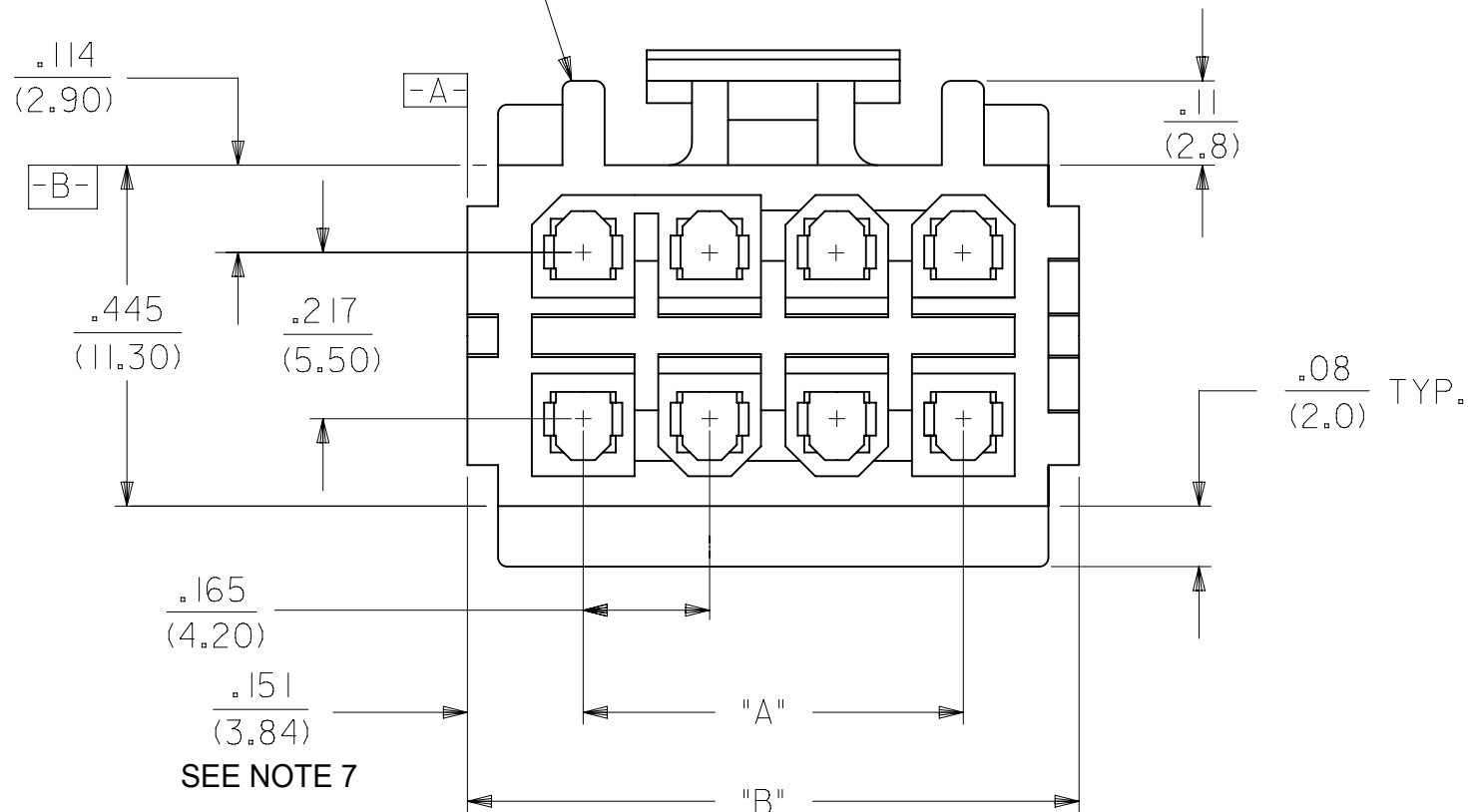


PROTECTIVE SIDES AVAILABLE ON ALL CIRCUITS EXCEPT TWO AND FOUR CIRCUITS.

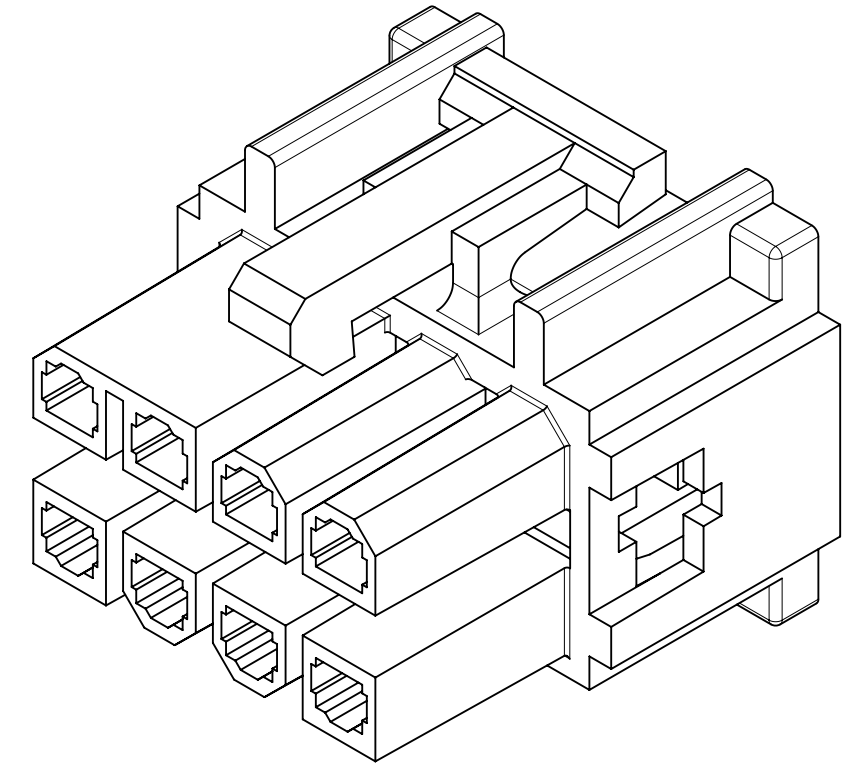
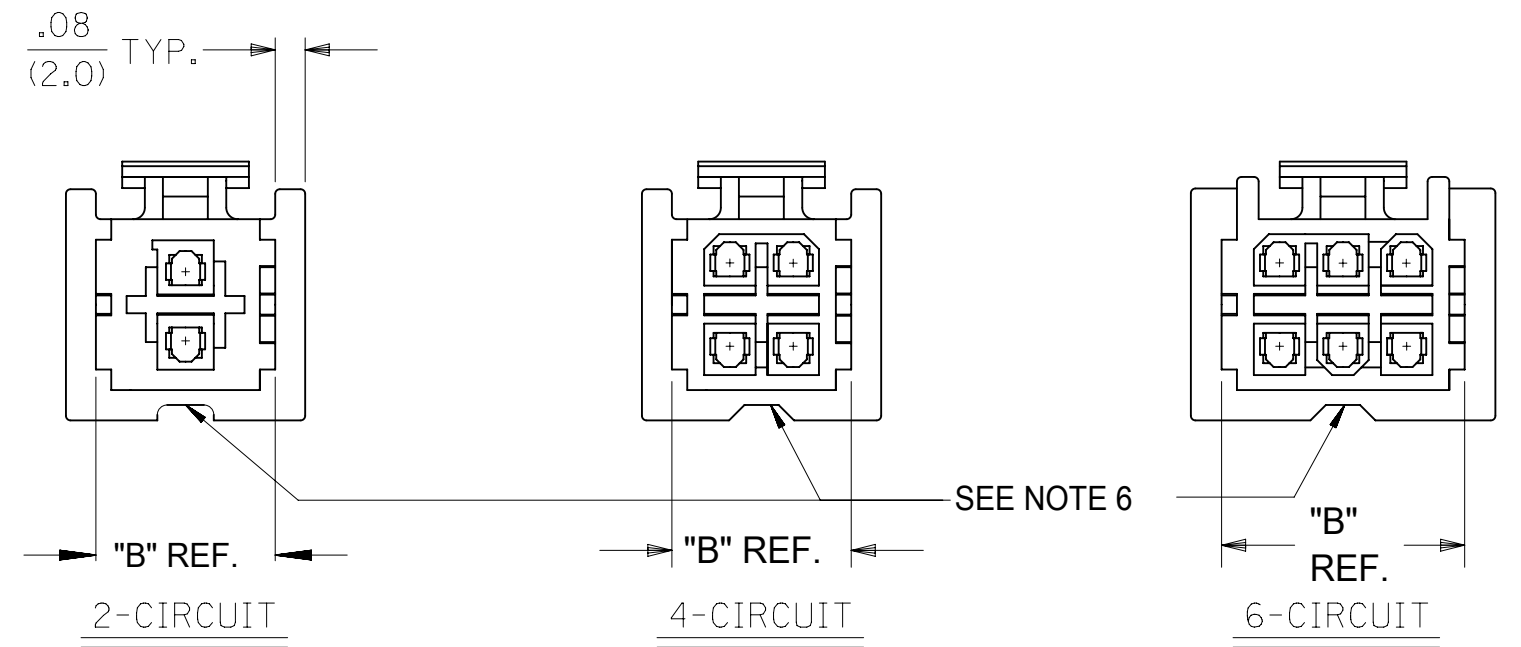
SEE NOTE 8



PROTECTIVE SIDES AVAILABLE ON ALL CIRCUITS EXCEPT TWO AND FOUR CIRCUITS.



SEE NOTE 7



NOTES:

1. MATERIAL: UNFILLED POLYESTER, U.L. 94V-0. HOUSING COLOR: SEE CHART
2. FINISH: N/A
3. PRODUCT SPECIFICATION: PS-5556-003
4. PACKAGING SPECIFICATION: PK-30067-001.
5. HOUSING TO BE USED WITH TERMINAL #5556, AND T.P.A. LOCK #30072-*. RECEPTACLE HOUSING TO MATE WITH PLUG HOUSING #30068, ST. HEADER #30069, AND RT. ANGLE HEADERS #30070 & #44483. HOUSING ACCEPTS CONNECTOR POSITIONING ASSURANCE (C.P.A.) LOCK #30071.
6. RELIEF NOTCH IS OPTIONAL AND MAY OR MAY NOT APPEAR ON 2, 4, 6, 10 & 12 CIRCUIT HOUSINGS ONLY.
7. FOR 2 CKT HOUSING, DIMENSION IS .231/5.88
8. FOR 2 CKT HOUSINGS, DIMENSION IS .069/1.74
9. THIS PART CONFORMS TO CLASS B REQUIREMENTS OF COSMETIC SPEC PS-45499-002.
10. TEXT ON PART IS FOR REFERENCE ONLY. TEXT AND TEXT LOCATION MAY VARY DEPENDING ON PART NUMBER AND/OR TOOL.

THIS DRAWING CONTAINS INFORMATION THAT IS PROPRIETARY TO MOLEX ELECTRONIC TECHNOLOGIES, LLC AND SHOULD NOT BE USED WITHOUT WRITTEN PERMISSION

DIMENSION UNITS		SCALE		CURRENT REV DESC: OBSOLETE PART NO									
IN/MM		4:1											
GENERAL TOLERANCES (UNLESS SPECIFIED)				EC NO: 608155				2-16 CKT. RECPT. HSG. MINI-FIT T.P.A. SERIES					
				DRWN: AKUMAR19 2018/11/23									
4 PLACES ±				CHK'D: GGA 2018/12/27				PRODUCT CUSTOMER DRAWING					
3 PLACES ±				APPR: GGA 2018/12/27									
2 PLACES ± 0.25 ± 0.014				INITIAL REVISION:				DOCUMENT NUMBER SD-30067-X					
1 PLACE ± 0.36 ±				DRWN: RJF 1991/09/23									
0 PLACES ±				APPR: FSMITH 2010/10/25				DOC TYPE DOC PART REVISION PSD 001 J					
ANGULAR TOL ± 0.5 °				THIRD ANGLE PROJECTION									
DRAFT WHERE APPLICABLE MUST REMAIN WITHIN DIMENSIONS				DRAWING		SERIES		MATERIAL NUMBER		CUSTOMER		SHEET NUMBER	
				C-SIZE		30067		SEE TABLE		GENERAL MARKET		1 OF 2	

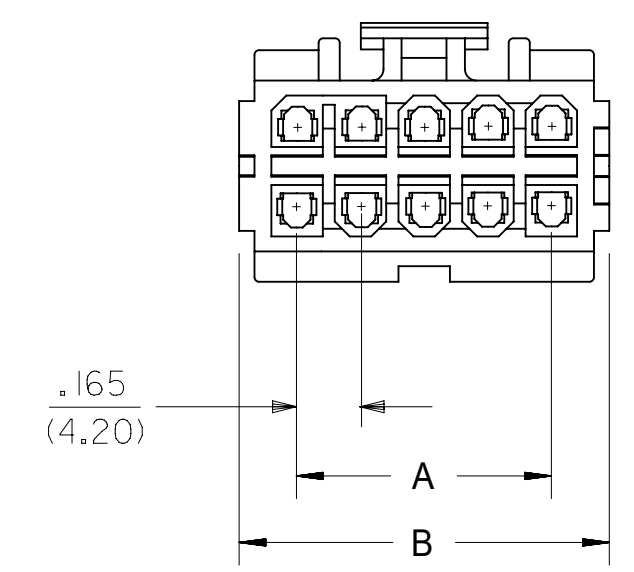
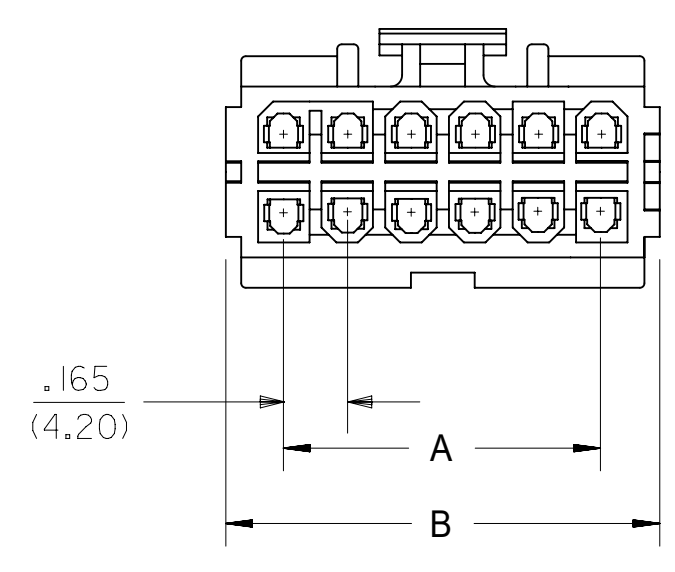
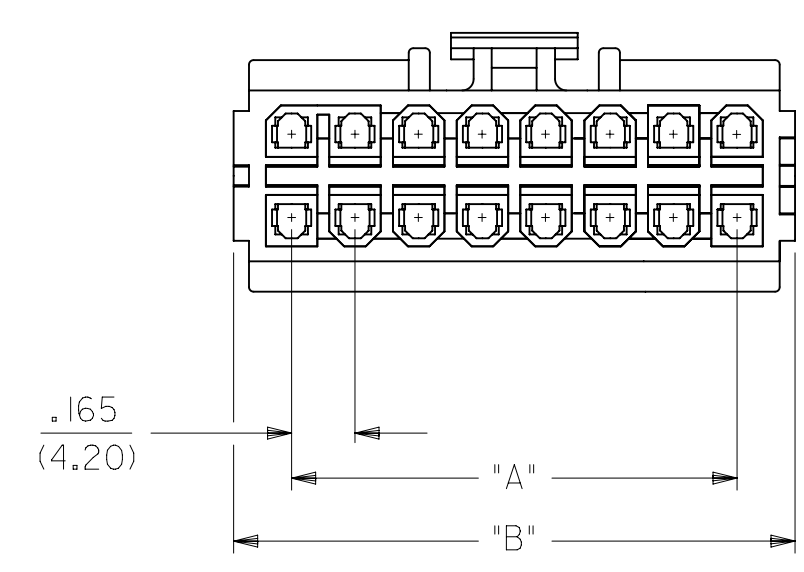
CKT. SIZE	BLACK		NATURAL		DIM. "A"	DIM. "B"
	ENG. NO.	EDP. NO.	ENG. NO.	EDP. NO.		
02	30067-02A2	15-97-5021			—	.467 (11.86)
04	30067-04A2	15-97-5041	30067-0412	30067-0412	.165 (4.20)	.467 (11.86)
06	30067-06A2	15-97-5061			.331 (8.40)	.633 (16.08)
08	30067-08A2	15-97-5081			.496 (12.60)	.798 (20.27)
10	30067-10A2	15-97-5101			.661 (16.80)	.963 (24.46)
12	30067-12A2	15-97-5121			.827 (21.00)	1.129 (28.68)
14	30067-14A2	NOT TOOLED			.992 (25.20)	1.294 (32.87)
16	30067-16A2	15-97-5161			1.157 (29.40)	1.459 (37.06)

LEGEND:

30067 - ** * 2

CIRCUIT SIZE (02-16)

HOUSING COLOR
A = BLACK
1 = NATURAL



THIS DRAWING CONTAINS INFORMATION THAT IS PROPRIETARY TO MOLEX ELECTRONIC TECHNOLOGIES, LLC AND SHOULD NOT BE USED WITHOUT WRITTEN PERMISSION

DIMENSION UNITS	SCALE	CURRENT REV DESC: OBSOLETE PART NO		molex			
IN/MM	2:1						
GENERAL TOLERANCES (UNLESS SPECIFIED)		EC NO: 608155		2-16 CKT. RECPT. HSG. MINI-FIT T.P.A. SERIES			
4 PLACES	±	DRWN: AKUMAR19	2018/11/23				
3 PLACES	±	CHK'D: GGA	2018/12/27	PRODUCT CUSTOMER DRAWING			
2 PLACES	± 0.25	APPR: GGA	2018/12/27				
1 PLACE	± 0.36	INITIAL REVISION:		DOCUMENT NUMBER			
0 PLACES	±	DRWN: RJF	1991/09/23				SD-30067-X
ANGULAR TOL	± 0.5 °	APPR: FSMITH	2010/10/25	DOC TYPE	DOC PART	REVISION	
DRAFT WHERE APPLICABLE MUST REMAIN WITHIN DIMENSIONS		THIRD ANGLE PROJECTION	DRAWING	SERIES	MATERIAL NUMBER	CUSTOMER	SHEET NUMBER
			C-SIZE	30067	SEE TABLE	GENERAL MARKET	2 OF 2