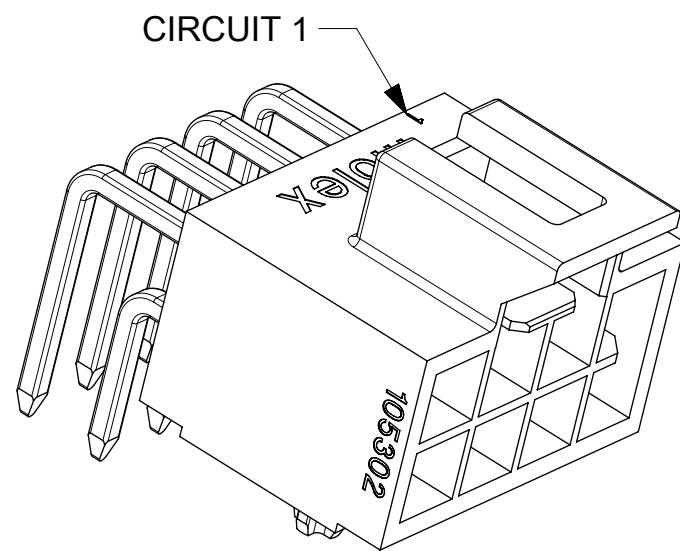
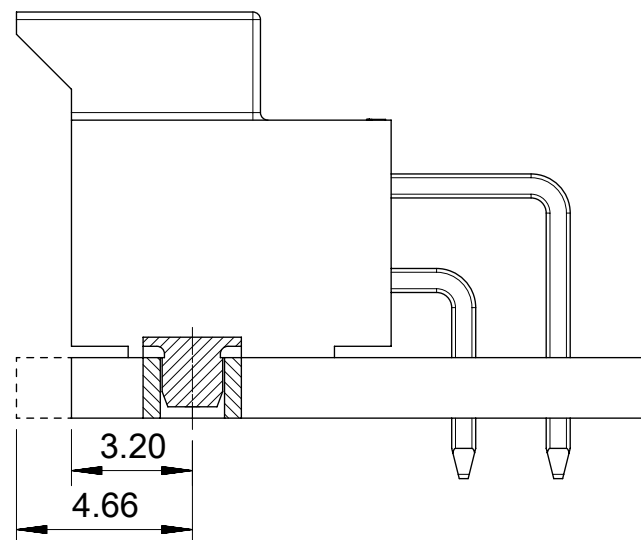


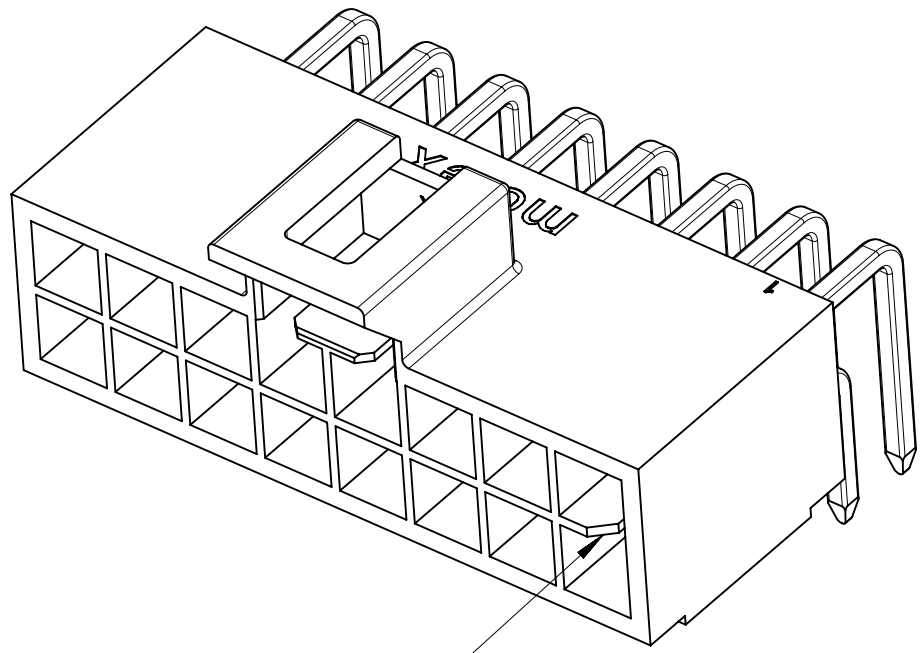
RECOMMENDED PCB(CONNECTOR SIDE VIEW) THICKNESS=1.6 TO 2.4 MM.



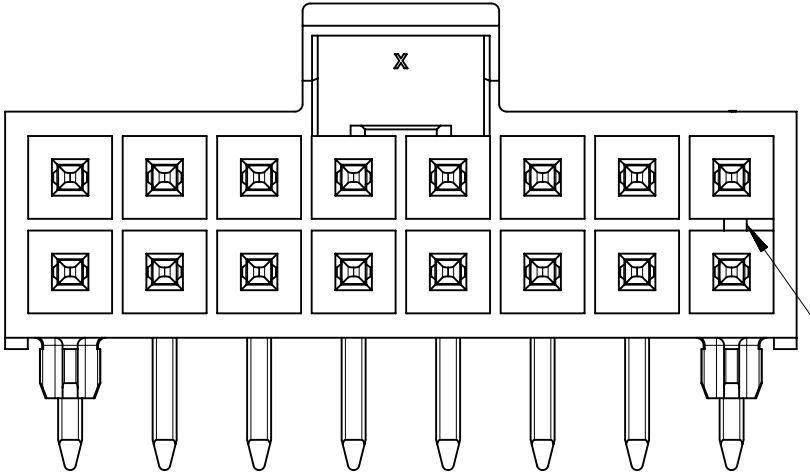
OPTION 1: LATCH FLUSH WITH PCB EDGE.  
OPTION 2: HOUSING BODY FLUSH WITH PCB EDGE.



THIS DRAWING CONTAINS INFORMATION THAT IS PROPRIETARY TO MOLEX ELECTRONIC TECHNOLOGIES, LLC AND SHOULD NOT BE USED WITHOUT WRITTEN PERMISSION											
QUALITY SYMBOLS	2019/10/10	GENERAL TOLERANCES (UNLESS SPECIFIED)	DIMENSION UNITS		SCALE						
	2019/10/10		mm								
▽A = 0	DRWN: GLLI	4 PLACES ± 3 PLACES ± 0.1 2 PLACES ± 0.2 1 PLACE ± 0.3 0 PLACES ±	DRWN BY		DATE		HEADER OF NANO-FIT, D/R, R/A POWER CONNECTOR				
▽E = 0	CHK'D: YXZHENG		GLLI		2015/06/05						
▽F = 0	APPR: YXZHENG		CHK'D BY		DATE		PRODUCT CUSTOMER DRAWING				
▽ = 0			AYIN		2016/04/27						
▽C = 0	EC NO: 625433		DRAFT WHERE APPLICABLE MUST REMAIN WITHIN DIMENSIONS	APPR BY		DATE		SERIES	MATERIAL NUMBER	CUSTOMER	
▽ = 0	G	AYIN		2016/04/27		105314	SEE SHEET 2	GENERAL MARKET			
▽ = 0	REV		DRAWING SIZE		THIRD ANGLE PROJECTION		DOCUMENT NUMBER		DOC TYPE	DOC PART	SHEET NUMBER
			A3				SD-105314-100		PSD	000	1 OF 5

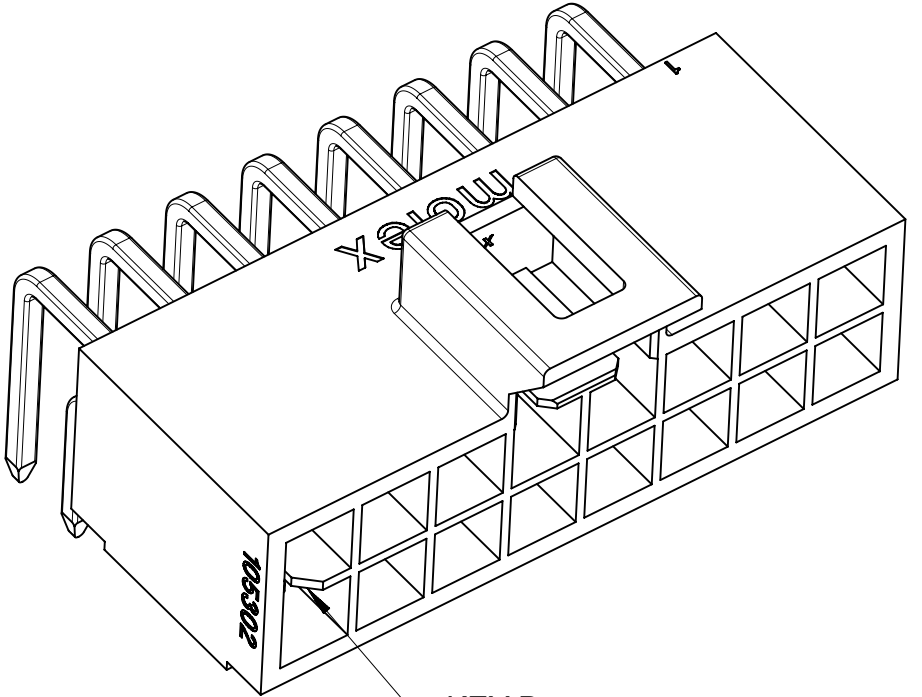


KEY A

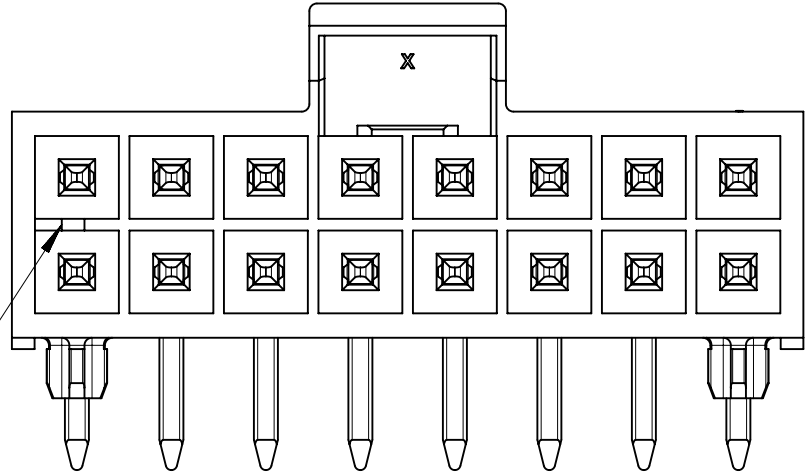


KEY A

BLACK



KEY B



KEY B

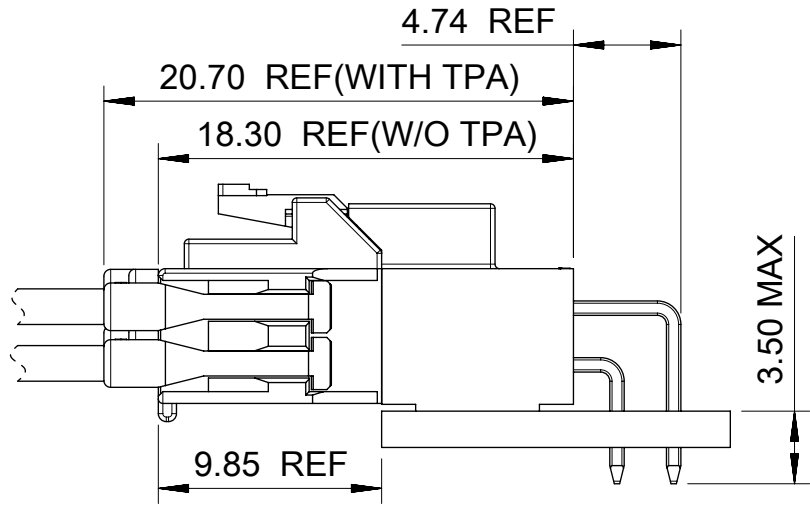
NATURAL

COLOR OPTION

THIS DRAWING CONTAINS INFORMATION THAT IS PROPRIETARY TO MOLEX ELECTRONIC TECHNOLOGIES, LLC AND SHOULD NOT BE USED WITHOUT WRITTEN PERMISSION											
SYMBOLS		DIMENSION UNITS		SCALE		CURRENT REV DESC:				<b>molex</b>	
▽ = 0		mm				EC NO: 625433					
▽ = 0		GENERAL TOLERANCES (UNLESS SPECIFIED)				DRWN: GLLI		2019/10/10		HEADER OF NANO-FIT, D/R, R/A POWER CONNECTOR	
▽ = 0		ANGULAR TOL ± 3.0°				CHK'D: YXZHENG		2019/10/10		PRODUCT CUSTOMER DRAWING	
▽ = 0		4 PLACES ±				APPR: YXZHENG		2019/10/10		DOCUMENT NUMBER	
▽ = 0		3 PLACES ± 0.1				INITIAL REVISION:				SD-105314-100	
▽ = 0		2 PLACES ± 0.2				DRWN: GLLI		2015/06/05		DOC TYPE	
▽ = 0		1 PLACE ± 0.3				APPR: AYIN		2016/04/27		DOC PART	
▽ = 0		0 PLACES ±				THIRD ANGLE PROJECTION		DRAWING		REVISION	
▽ = 0		DRAFT WHERE APPLICABLE MUST REMAIN WITHIN DIMENSIONS				A3-SIZE		SERIES		SHEET NUMBER	
▽ = 0						105314		MATERIAL NUMBER		GENERAL MARKET	

PART NUMBER	DIM 'A'	DIM 'B'	DIM 'C'	CKT SIZE	PLATING	LUBE
105314-1104	5.94	2.50	3.14	4	TIN	
105314-1106	8.44	5.00	5.64	6		
105314-1108	10.94	7.50	8.14	8		
105314-1110	13.44	10.00	10.64	10		
105314-1112	15.94	12.50	13.14	12		
105314-1114	18.44	15.00	15.64	14		
105314-1116	20.94	17.50	18.14	16		
105314-1204	5.94	2.50	3.14	4		
105314-1206	8.44	5.00	5.64	6		
105314-1208	10.94	7.50	8.14	8		
105314-1210	13.44	10.00	10.64	10		
105314-1212	15.94	12.50	13.14	12		
105314-1214	18.44	15.00	15.64	14		
105314-1216	20.94	17.50	18.14	16		
105314-1304	5.94	2.50	3.14	4	GOLD 0.76	
105314-1306	8.44	5.00	5.64	6		
105314-1308	10.94	7.50	8.14	8		
105314-1310	13.44	10.00	10.64	10		
105314-1312	15.94	12.50	13.14	12		
105314-1314	18.44	15.00	15.64	14		
105314-1316	20.94	17.50	18.14	16		
105314-1404	5.94	2.50	3.14	4		
105314-1406	8.44	5.00	5.64	6		
105314-1408	10.94	7.50	8.14	8		
105314-1410	13.44	10.00	10.64	10		
105314-1412	15.94	12.50	13.14	12		
105314-1414	18.44	15.00	15.64	14		
105314-1416	20.94	17.50	18.14	16		

COLOR: BLACK

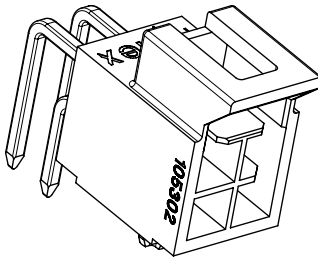
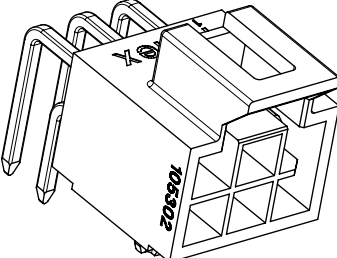
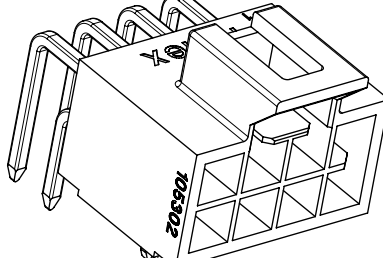
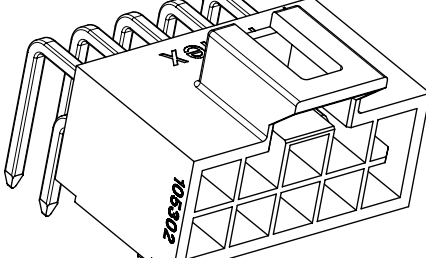
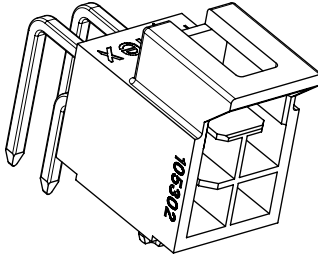
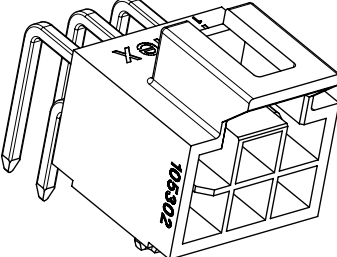
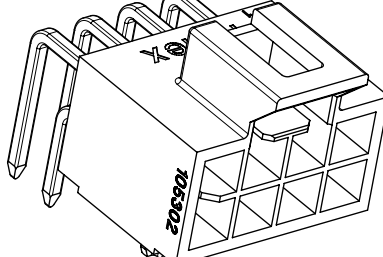
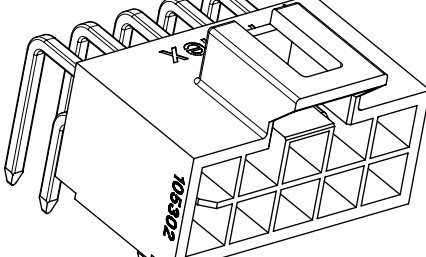
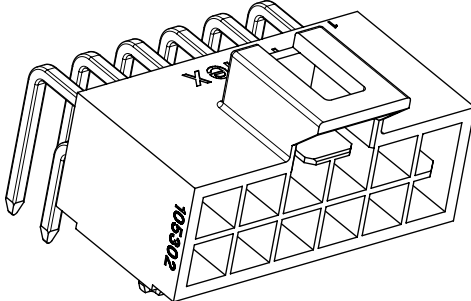
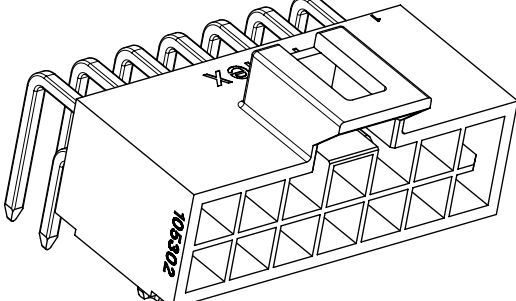
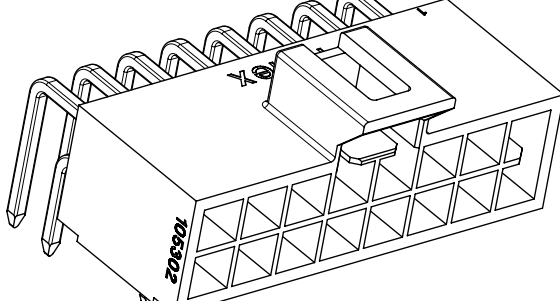
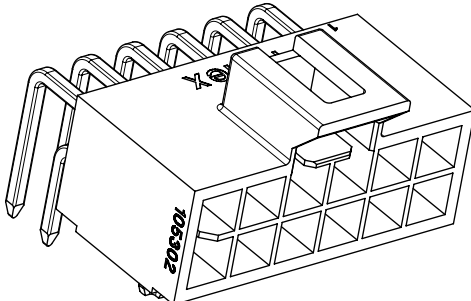
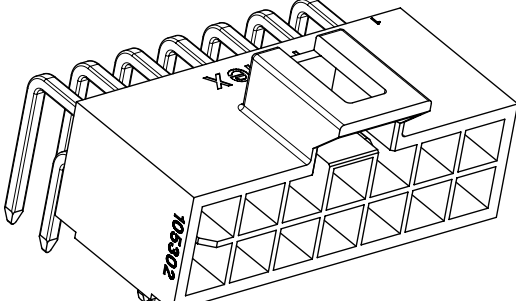
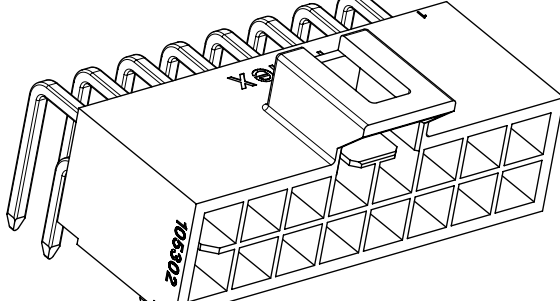









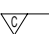

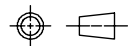
- 105314- \* \* \* \*
- CIRCUIT SIZE
  - PLATING OPTION
    - 1 - TIN
    - 2 - GOLD 0.38
    - 3 - GOLD 0.76
    - 4 - GOLD AND LUBE
  - COLOR OPTION
    - 1 - BLACK
    - 2 - NATURAL

PART NUMBER	DIM 'A'	DIM 'B'	DIM 'C'	CKT SIZE	PLATING	LUBE
105314-2104	5.94	2.50	3.14	4	TIN	
105314-2106	8.44	5.00	5.64	6		
105314-2108	10.94	7.50	8.14	8		
105314-2110	13.44	10.00	10.64	10		
105314-2112	15.94	12.50	13.14	12		
105314-2114	18.44	15.00	15.64	14		
105314-2116	20.94	17.50	18.14	16		
105314-2204	5.94	2.50	3.14	4		
105314-2206	8.44	5.00	5.64	6		
105314-2208	10.94	7.50	8.14	8		
105314-2210	13.44	10.00	10.64	10		
105314-2212	15.94	12.50	13.14	12		
105314-2214	18.44	15.00	15.64	14		
105314-2216	20.94	17.50	18.14	16		
105314-2304	5.94	2.50	3.14	4	GOLD 0.76	
105314-2306	8.44	5.00	5.64	6		
105314-2308	10.94	7.50	8.14	8		
105314-2310	13.44	10.00	10.64	10		
105314-2312	15.94	12.50	13.14	12		
105314-2314	18.44	15.00	15.64	14		
105314-2316	20.94	17.50	18.14	16		
105314-2404	5.94	2.50	3.14	4		
105314-2406	8.44	5.00	5.64	6		
105314-2408	10.94	7.50	8.14	8		
105314-2410	13.44	10.00	10.64	10		
105314-2412	15.94	12.50	13.14	12		
105314-2414	18.44	15.00	15.64	14		
105314-2416	20.94	17.50	18.14	16		

COLOR: NATURAL

THIS DRAWING CONTAINS INFORMATION THAT IS PROPRIETARY TO MOLEX ELECTRONIC TECHNOLOGIES, LLC AND SHOULD NOT BE USED WITHOUT WRITTEN PERMISSION													
<b>QUALITY SYMBOLS</b> 	2019/10/10 2019/10/10 2019/10/10 EC NO: 625433 DRWN: GLLI CHK'D: YXZHENG APPR: YXZHENG	<b>GENERAL TOLERANCES (UNLESS SPECIFIED)</b> ANGULAR TOL ± 3.0 ° 4 PLACES ± 3 PLACES ± 0.1 2 PLACES ± 0.2 1 PLACE ± 0.3 0 PLACES ±		DIMENSION UNITS <b>mm</b>	SCALE 			HEADER OF NANO-FIT, D/R, R/A POWER CONNECTOR					
		DRWN BY: GLLI DATE: 2015/06/05		DRWN BY: GLLI DATE: 2015/06/05									
		APPR BY: AYIN DATE: 2016/04/27		APPR BY: AYIN DATE: 2016/04/27		DRAWING SIZE: <b>A3</b>		THIRD ANGLE PROJECTION:		PRODUCT CUSTOMER DRAWING			
		DRAFT WHERE APPLICABLE MUST REMAIN WITHIN DIMENSIONS		DRAFT WHERE APPLICABLE MUST REMAIN WITHIN DIMENSIONS		DRAWING SIZE: <b>A3</b>		THIRD ANGLE PROJECTION:		SERIES: 105314	MATERIAL NUMBER: SEE CHART	CUSTOMER: GENERAL MARKET	
RELEASE STATUS: P1 RELEASE DATE: 2019/10/10 06:03:13		G		REV:		DOCUMENT NUMBER: SD-105314-100		DOC TYPE: PSD	DOC PART: 000	SHEET NUMBER: 3 OF 5			

		4 CKT	6 CKT	8 CKT	10 CKT
E	BLACK				
D	NATURAL				
		12 CKT	14 CKT		16 CKT
C	BLACK				
B	NATURAL				

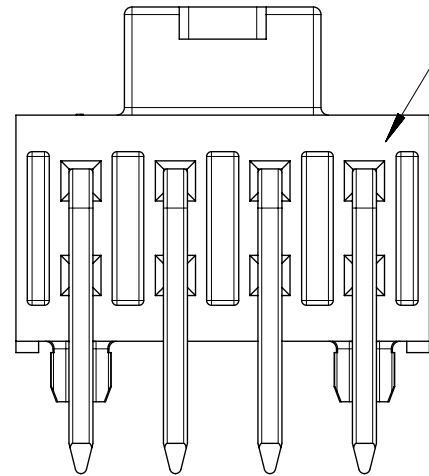
THIS DRAWING CONTAINS INFORMATION THAT IS PROPRIETARY TO MOLEX ELECTRONIC TECHNOLOGIES, LLC AND SHOULD NOT BE USED WITHOUT WRITTEN PERMISSION													
<b>QUALITY SYMBOLS</b>  = 0  = 0  = 0  = 0  = 0  = 0  = 0  = 0		2019/10/10 2019/10/10 2019/10/10		<b>GENERAL TOLERANCES (UNLESS SPECIFIED)</b> ANGULAR TOL ± 3.0 ° 4 PLACES ± 3 PLACES ± 0.1 2 PLACES ± 0.2 1 PLACE ± 0.3 0 PLACES ±		DIMENSION UNITS <b>mm</b>		SCALE DATE <b>2015/06/05</b>		 <b>HEADER OF NANO-FIT, D/R, R/A POWER CONNECTOR</b>			
EC NO: 625433 DRWN: GLLI CHK'D: YXZHENG APPR: YXZHENG		<b>DRAFT WHERE APPLICABLE MUST REMAIN WITHIN DIMENSIONS</b>		DRWN BY <b>GLLI</b>		DATE <b>2015/06/05</b>		CHK'D BY DATE				<b>PRODUCT CUSTOMER DRAWING</b>	
<b>G</b>		<b>REV</b>		DRAWING SIZE <b>A3</b>		THIRD ANGLE PROJECTION 		SERIES <b>105314</b>		MATERIAL NUMBER <b>SEE SHEET 2</b>		CUSTOMER <b>GENERAL MARKET</b>	
DOCUMENT NUMBER <b>SD-105314-100</b>				DOC TYPE <b>PSD</b>		DOC PART <b>000</b>		SHEET NUMBER <b>4 OF 5</b>					

NOTES FOR ALL PARTS

1> MATERIAL:  
 HOUSING: LCP, UL 94V-0.  
 TERMINAL: BRASS.  
 SOLDER CLIP: BRASS.

2> PLATING FINISHED:  
 TERMINAL:  
 CONTACT AREA: a. REFLOWED MATTE TIN 1.5MICRONS MIN;  
 b. GOLD 0.38 MICRONS MIN;  
 c. GOLD 0.76 MICRONS MIN.  
 SOLDER AREA: TIN 1.5 MICRONS MIN, UNDER PLATING NICKEL 1.25 MICRONS MIN.  
 SOLDER CLIP: TIN 2.5 MICRONS MIN, UNDER PLATING NICKEL 1.25 MICRONS MIN.

3> PRODUCT SPECIFICATION: PS-105300-100.  
 4> PACKAGE: TRAY, PK-105309-200.  
 5> ALL COMPONENTS AND PRODUCT COMPLIANT TO RoHS DIRECTIVE 2011/65/EU AND ELV DIRECTIVE 2000/53/EC.  
 6> PRODUCT MATE WITH SERIES OF 105308(RECEPTACLE), 105300(CRIMP TERMINAL).  
 7> PARTS CONFORM TO CLASS 'B'REQUIREMENTS OF COSMETIC SPECIFICATION PS-45499-002.  
 8> DISCOLORATION IN THE BANDOLIER PIN CARRIER AREA OF THE PIN IS INHERENT TO THE PLATING PROCESS AND IS DUE TO THE MASKING DEFECT OF THE CARRIER, THIS DISCOLORATION IS IN A NON-FUNCTION AREA OF THE PIN AND WILL NOT AFFECT THE PERFORMANCE OF THE HEADER ASSEMBLY.



IF ANY NUMBER MARK APPEARS ON THIS SURFACE, PLEASE DISREGARD IT, IT IS NO ANY FUCTION AND NO ANY RELATION TO PIN NUMBER, IT IS JUST FOR MOLDING IDENTIFICATION.

QUALITY SYMBOLS ▽ = 0 ▽ = 0 ▽ = 0 ▼ = 0 ▽ = 0 ⊗ = 0 ■ = 0 ▽ = 0	THIS DRAWING CONTAINS INFORMATION THAT IS PROPRIETARY TO MOLEX ELECTRONIC TECHNOLOGIES, LLC AND SHOULD NOT BE USED WITHOUT WRITTEN PERMISSION										
	2019/10/10 DRWN: GLLI 2019/10/10 CHK'D: YXZHENG 2019/10/10 APPR: YXZHENG	GENERAL TOLERANCES (UNLESS SPECIFIED)		DIMENSION UNITS	SCALE						
		ANGULAR TOL ± 3.0 °		mm							
		4 PLACES ±	DRWN BY		DATE	HEADER OF NANO-FIT, D/R, R/A POWER CONNECTOR					
		3 PLACES ± 0.1	GLLI		2015/06/05						
		2 PLACES ± 0.2	CHK'D BY		DATE	PRODUCT CUSTOMER DRAWING					
	1 PLACE ± 0.3	AYIN		2016/04/27							
	0 PLACES ±	DRAFT WHERE APPLICABLE MUST REMAIN WITHIN DIMENSIONS		DRAWING SIZE	THIRD ANGLE PROJECTION	SERIES	MATERIAL NUMBER	CUSTOMER			
	G			A3		105314	SEE SHEET 2	GENERAL MARKET			
						DOCUMENT NUMBER	DOC TYPE	DOC PART	SHEET NUMBER		
					SD-105314-100	PSD	000	5 OF 5			