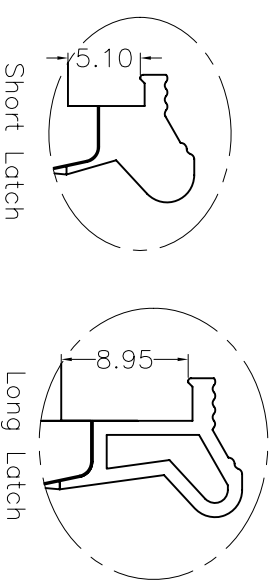
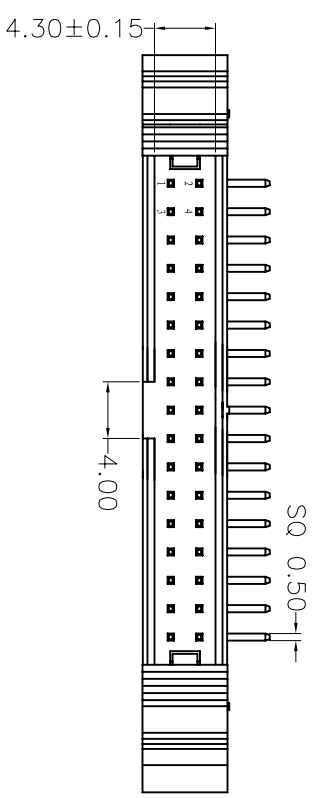
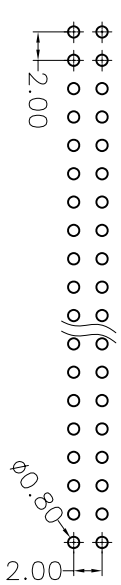


REV.	ECN. NO.	APPD.
A		

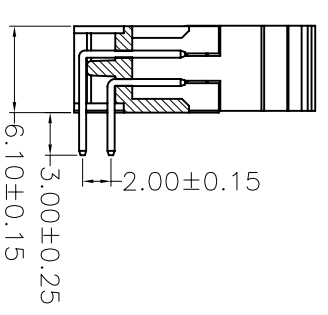
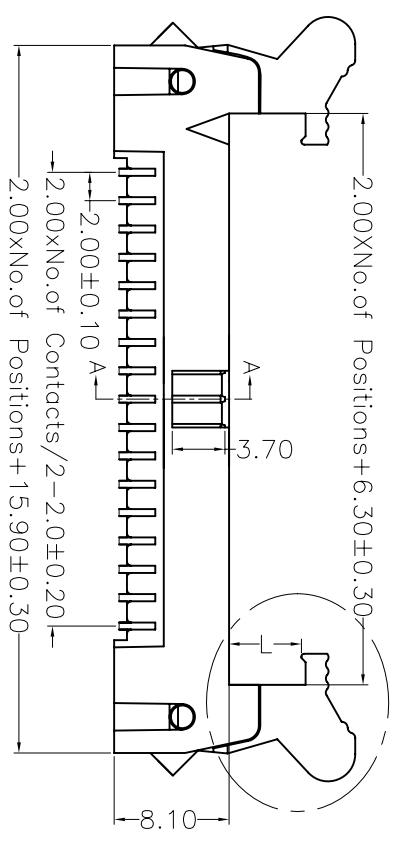
Recommended P.C.B Layout(Top Side)
(PCB BOARD TOLERANCE±0.05)



Ordering Information

MTE220-XX R X

No.of Pins	Latch Type
06 24	L=Long Latch
08 26	S=Short Latch
10 30	N=Without Latch
12 34	
14 40	
16 50	
18 60	
20 64	



SECTION A-A

X. ±0.30	X° ±5°	UNITS mm	NAME/(INTENDED USE)	MINTRON CO.,LTD.
X ±0.20	X° ±2°	MAT'L	PART NO.(INTENDED USE)	
XX ±0.10	XX° ±1°	FINISH	APPD: SUNNY	TITLE: MTE220-XXRL
.XXX ±0.05	.XXX° ±0.5°		QTY	CHKD: USA
EJECTOR HEADER CONNECTOR			DR: ZOE	2006-11-28

SCALE	SHEET	REV.
1/1	1/1	A