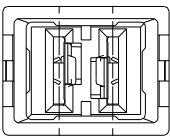
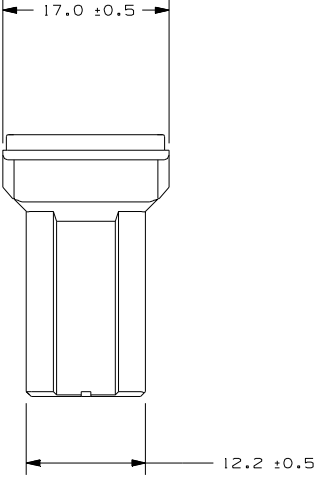
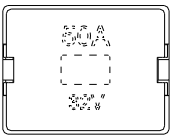
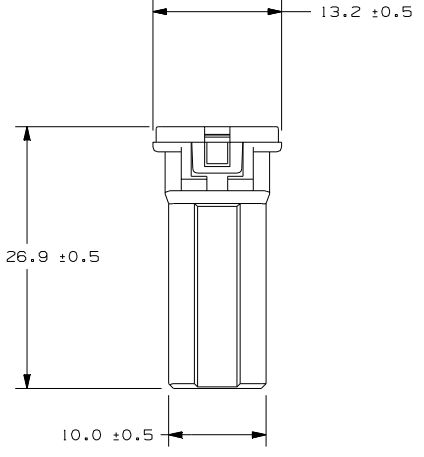


PART NUMBER	CURRENT RATING (A)	BODY COLOR	RATED VOLTAGE
0293820.MXJ	20	LIGHT BLUE	32V
0293830.MXJ	30	PINK	
0293840.MXJ	40	GREEN	
0293850.MXJ	50	RED	
0293860.MXJ	60	YELLOW	
0293870.MXJ	70	BROWN	
0293880.MXJ	80	BLACK	



% OF RATED CURRENT	OPENING TIME	
	MIN	MAX
110%	14,400 SEC.	-
200%	5 SEC.	100 SEC.
350%	0.2 SEC.	7 SEC.
600%	0.04 SEC.	1 SEC.

METRIC

NO	COMPONENT NO	DESCRIPTION	QTY/M	U/M
BILL OF MATERIAL				
MATERIAL SPEC				
UNLESS OTHERWISE SPECIFIED, DIMENSIONS ARE IN MILLIMETERS. DIMENSIONS IN BRACKETS [ ] ARE INCHES UNLESS OTHERWISE SPECIFIED, DIMENSIONS DO NOT INCLUDE PLATING.				
©	DENOTES CRITICAL CHARACTERISTICS.			
CPK	DENOTES CPK DIMENSIONS. -MINIMUM CPK VALUE			
(ST)	DENOTES A CHARACTERISTIC THAT PROVIDES AN INDICATION OF PROCESS PERFORMANCE. PROCEDURE FOR MEASUREMENT AND TRACKING TO BE DEFINED IN LITTELFUSE INSPECTION INSTRUCTIONS			
CP	DENOTES CP DIMENSIONS. -MINIMUM CP VALUE MUST BE WITHIN THE DIMENSIONAL LIMITATIONS SHOWN ON DRAWING AND INITIALLY LOCATED TO ALLOW FOR MAXIMUM TOOL LIFE			

LTR	DATE	REVISION	CHK	APD
A	03/29/10	SA201-RELEASE GMB		
B	05/25/10	SA296 RELEASE GMB 40A 30A &		

COPIES TO	FINISH	SCALE	DATE	DATE	DATE	GRAMS/PIECE
1 9 18		2:1	03/29/10			
2 10 19						
3 12 20						
4 13 21	DRW GMB					
5 14 23	CHK					
6 15 33						
7 16 43	APPD					
8 17 53						

TOLERANCES UNLESS OTHERWISE SPECIFIED (REF. ISO 2768-MK)	0.5 - 1.5	1.5 - 3.0	3.0 - 6.0	6.0 - 12.0	12.0 - 40.0
DIMENSION	±0.1	±0.1	±0.2	±0.3	±0.5
ANGLE					
PROJECTION					

TITLE	REVISION/DWG. NO.	OUTLINE
SLOW BLOW FUSE AF TYPE	B	OL-0293800.MXJ