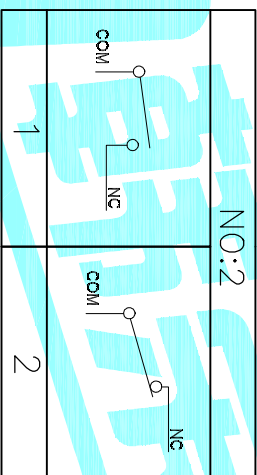
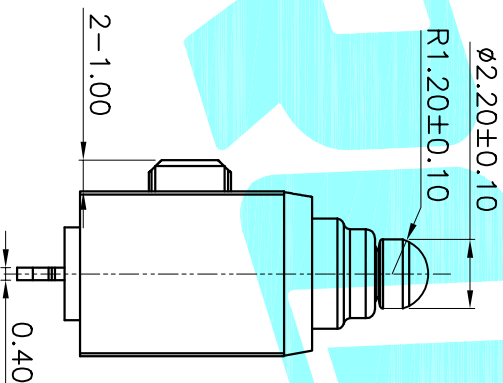
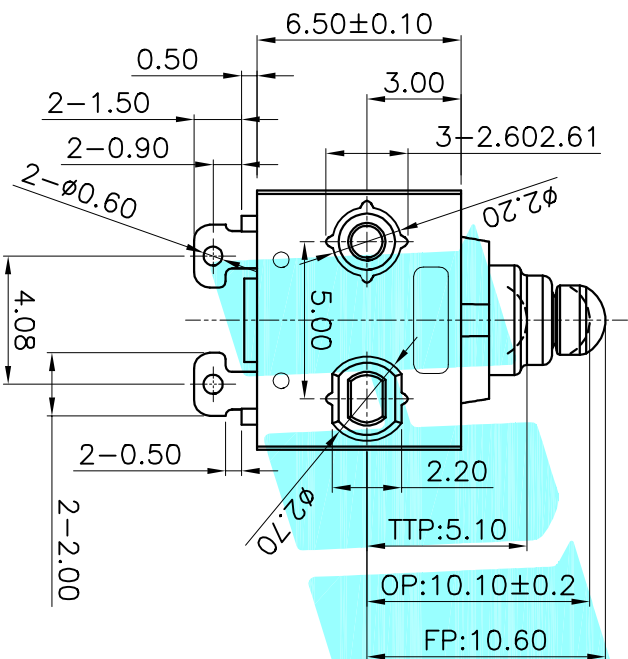


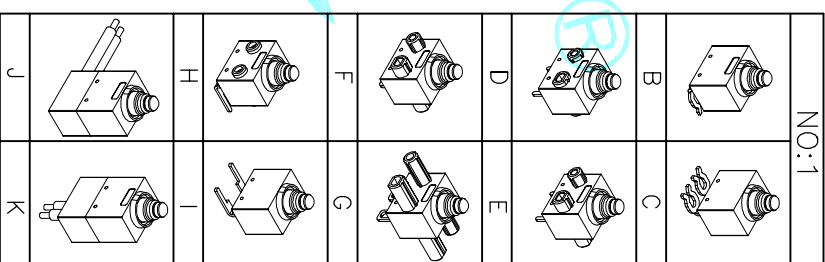
INGRESS PROTECTION:IP67

NOTE:

- 1.Rating:DC12V 0.1A
- 2.Operating froce:150gf MAX
- 3.Mechanical Life: 10,000



Circuit Diagram



⑦	Shrapnel	—	1	Brass	—	—
⑥	Contact	—	1	Ag	—	—
⑤	Sealed Circle	—	1	Silicone Rubber	—	—
④	Terminal	—	2	Brass(0.50t)	Plating silver	—
③	Plunger	—	1	POM	White	—
②	Cose	—	1	PA	White	—
①	Cover	—	1	PA	Black	—

APPROVALS	DATE	TITLE:
DRAWN	J.X.Zhang	2018/8/1
CHECKED		
APPROVALS		

ELECTRONICS CO.,LTD
MICRO SWITCHS

PART NO. K9-1804□-□

TOLERANCES ARE	30 ^{±0.15}	±0.30	ANGLE	UNIT: mm	SCALE: 1:1	PROJ.
	10 ^{±0.10}	±0.20	±2°	DRAWING NO.		SHEET 1 OF 1
	5 ^{±0.05}	±0.15				

ECN NO.	REV.	DATE.	DESCRIPTION.	CHANGE.	CHECK.	APPRO.
	A		NEW			