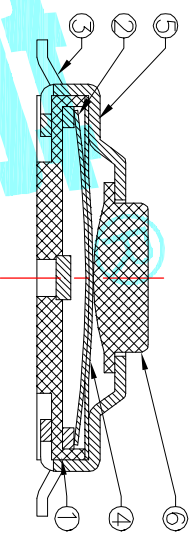
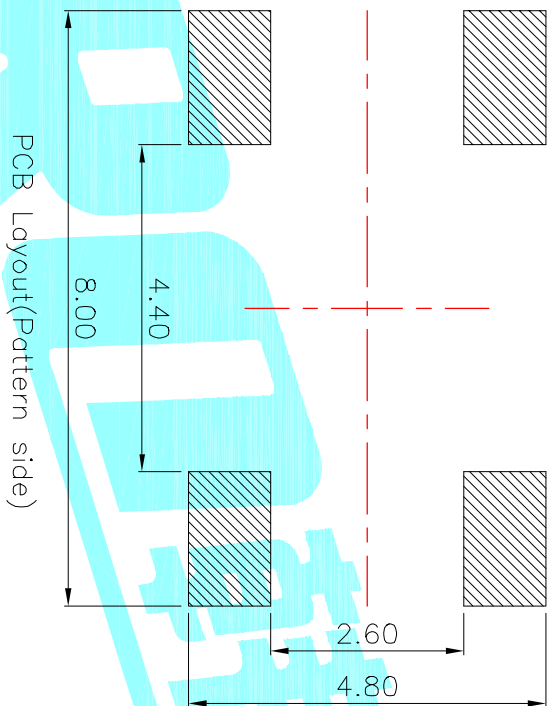
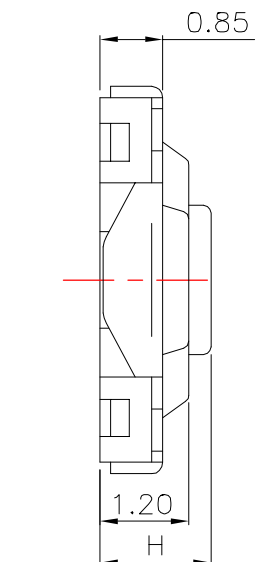
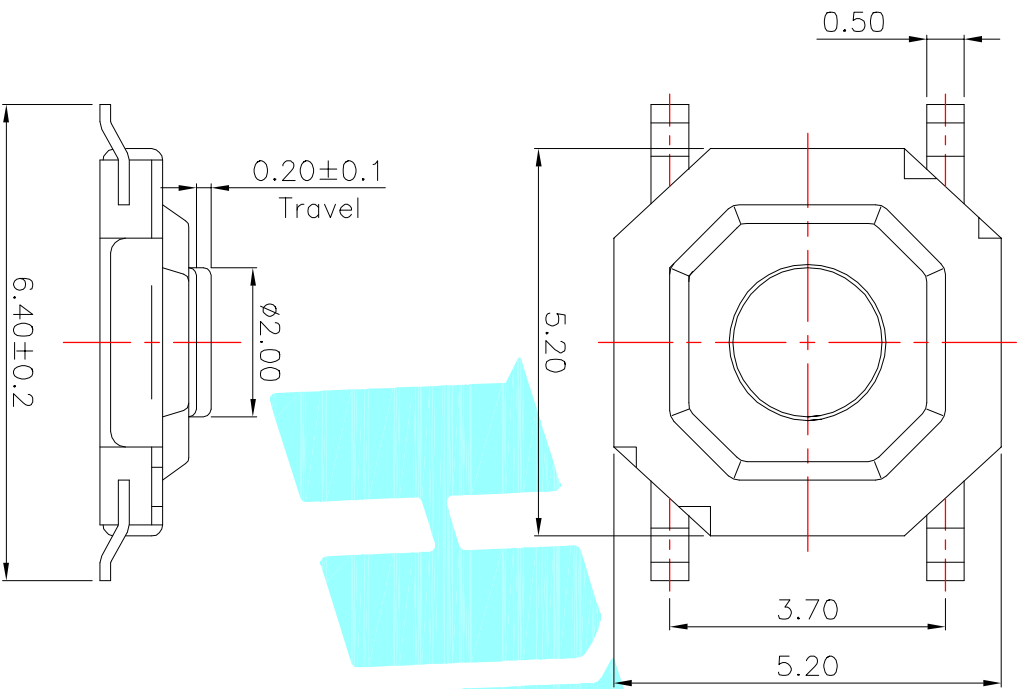




Circuit Diagram

- Typical Specifications :
1. Rating : DC 12V 50mA
 2. Life:100,000 Cycles Min.



NO.1

PART NO	H
A	1.50
B	1.60
C	1.70
D	2.00
E	2.50
F	3.00
G	4.30
J	3.50

NO.2

PART NO	vigor
1	90±30
2	130±30
3	180±30
4	250±30
5	350±50

NO.3-NO.4

PART NO	NOTE
01~99	SERIAL NUMBER

ITEM	PART NAME	TER'NO.	QTY.	MATERIAL	FINISHING	REMARK
⑥	Knob	—	1	Brass	Yellow	—
⑤	Cover	—	1	SUS	Natural	—
④	Dust Cover	—	1	Kapton Film	Yellow	—
③	Terminal	—	4	Phosphor Bronze	Plating silver	—
②	Contact	—	1	F.Ag/SUS	Natural	—
①	Base	—	1	Nylon	Black	—

APPROVALS

DRAWN	DATE
xu qi feng	2014/10/31

ECN NO.	REV.	DATE.	DESCRIPTION.	CHANGE.	CHECK.	APPRO.
—	A	—	NEW	—	—	—

APPROVALS

CHECKED	TITLE:	PART NO.	SCALE:	PROJ.
—	TACT SWITCHS	K2-1187SQ-□□□□-□□	1:1	—

APPROVALS

APPROVALS	DATE
—	—

TOLERANCES ARE

30~12.5	±0.30	ANGLE	UNIT:	DRAWING NO.	SHEET
10~30	±0.20	±2°	mm	—	1 OF 1
5~10	±0.15	—	—	—	—
~5	±0.10	—	—	—	—

ELECTRONICS CO.,LTD