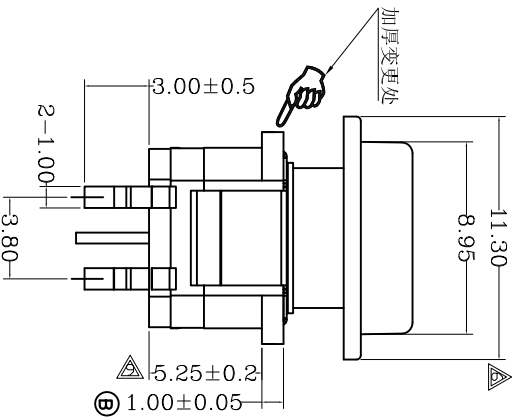
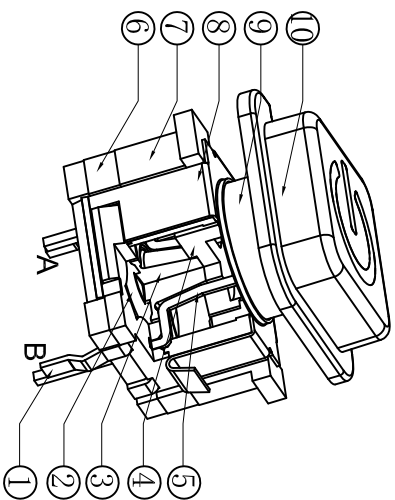
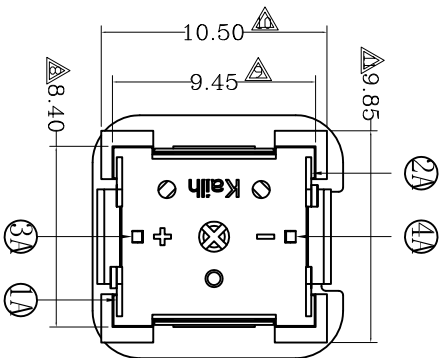
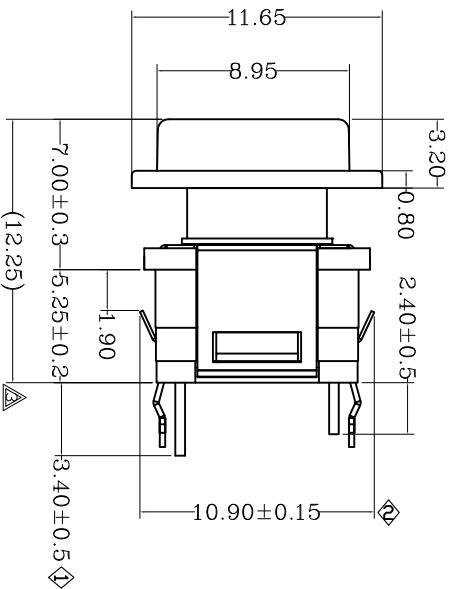
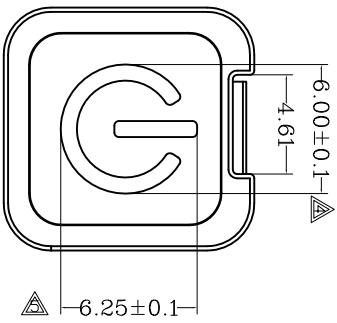
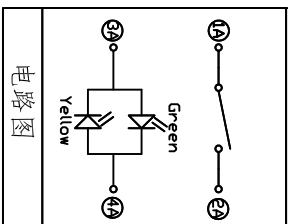


# ABIDE BY ROHS



### Specification :

1. Rating : DC12V 50mA
2. Contact Resistance : 100M  $\Omega$  Min
3. Rated Voltage : AC250V (50-60Hz) For 1 minute
4. Operation Force : 450±100gf
5. Life Test : 25,000 Cycles
6. Total Travel : 2.00±0.05mm
7. Restore Type: Touch Restore



### NOTE:

- ◇:重点管控尺寸,一般1到3个,最多不超过5个,每次进料及生产均需量测
  - ▲:次重点管控尺寸,序列号排列不得超过17个,每次进料及生产时均需量测
  - △:一般尺寸,个数不限,每次模具变动时才需量测
- 版本定义:新开发而未转量产之产品图面版次为A、A、A...  
已转量产之产品图面版次为A、B、C...

ITEM	PART NAME	TER'NO.	QTY.	MATERIAL	FINISHING	REMARK
10	KNOB		1pcs	PC/ABS	Transparent/Black	
9	Keystroke		1pcs	PC	Transparent	
8	Shell		1pcs	Stainless Steel		
7	Cover		1pcs	PA10T	Black	
6	Base		1pcs	PA10T	Black	
5	LED		1pcs	22mm Super Bright Yellow/Green LED		
4	Pad		1pcs	LCP	Black	
3	Rubber pod		1pcs	Rubber	Grey	
2	Contact		1pcs	Stainless Steel	Plating Au(4u)	
1	Terminal	A,B	2pcs	Brass	Plating Au(3u)	

APPROVALS	DATE	TITLE:
DRAWN	Zhanghui ju	2014.07.03
CHECKED		
APPROVALS		

APPROVALS	PART NO.	SCALE:1:1
	LA9313 LAMP SWITCH	
	CLA931301D18	

TOLERANCES ARE	ANGLE	UNIT: mm	DRAWING NO. KHA-LA9313-007EN
30<L	±2°	mm	
10<L			
5<L			
≤5			

ECN NO.	REV.	DATE.	DESCRIPTION.	CHANGE.	CHECK.	APPRO.
ECN-1501-02	B	2015.1.13	客户反映4个角强度不够,会断裂,加厚后增加强度			
	A	2014.06.12	NEW			