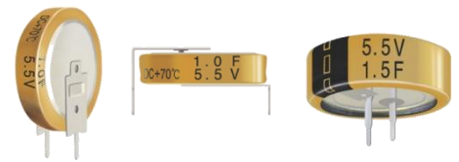


Features

- Standard coin-type
- Small-sized, large capacity
- Wider temperature range(-25~70°C) than battery makes periodic change unnecessary

Applications

- Memory back-up for Video, Audio, Cameras, Camcorder, Telephones, Printer Car stereo, Computer, Notebook PC, Rice cooker, PLC, Set top box, Washing machine, DVD-RW, Home network etc.
- Main power for Bicycle tail light, flash lights etc.



V-TYPE

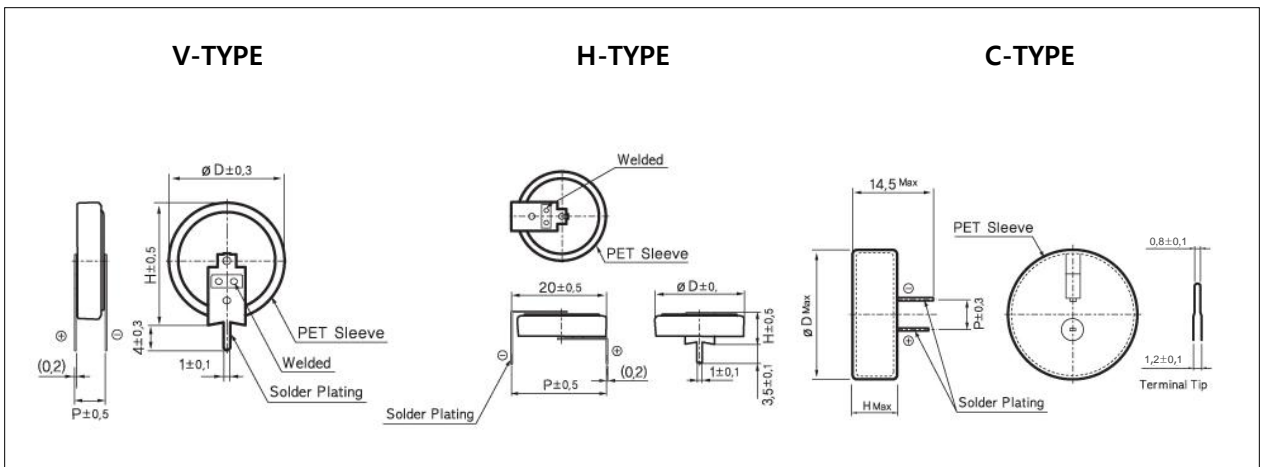
H-TYPE

C-TYPE

Specifications

| Items | Characteristics |
|--|---|
| Rated working voltage | 5.5VDC |
| Operating temperature | -25 to +70°C |
| Maximum surge voltage | 6.3VDC |
| Nominal Cap. range | 1.0F / 1.5F |
| Capacitance tolerance | -20% to +80%(at 25°C) |
| Low temperature(-25°C) characteristics | Capacitance change : ≤ 50% of the initial value at +25°C Internal resistance : Less than five times of the initial value at +25°C |
| Endurance | After 1,000hours application of rated DC working voltage at +70°C, the capacitor shall meet the following limits. <ul style="list-style-type: none"> • Capacitance change : ±30% of the initial value • Internal resistance : Less than four times of the initial value |
| Shelf life | After 1,000hours storage at +70°C without load, the capacitor shall meet the specified limit for "Endurance" |

Dimensions in mm(not to scale)



Standard products

| Part Number | Operating Voltage (V) | Capacitance (F) | ESR (Ω , @1kHz) | V type(mm) | | | H type(mm) | | | C type(mm) | | |
|-------------|-----------------------|-----------------|-------------------------|------------|------|-----|------------|-----|------|------------|-----|-----|
| | | | | ϕD | H | P | ϕD | H | P | ϕD | H | P |
| DCL 5R5 105 | 5.5 | 1.0 | ≤ 30 | 19.0 | 19.5 | 5.0 | 19.0 | 6.5 | 20.0 | 21.5 | 7.5 | 5.0 |
| DCL 5R5 155 | 5.5 | 1.5 | ≤ 30 | 19.0 | 19.5 | 5.0 | 19.0 | 6.5 | 20.0 | 21.5 | 7.5 | 5.0 |

Note : It is not allowed to go through reflow (IR, Atmosphere heating methods etc.) process

| Features |

- High temperature tolerance(-25~85°C) and highly reliable

| Applications |

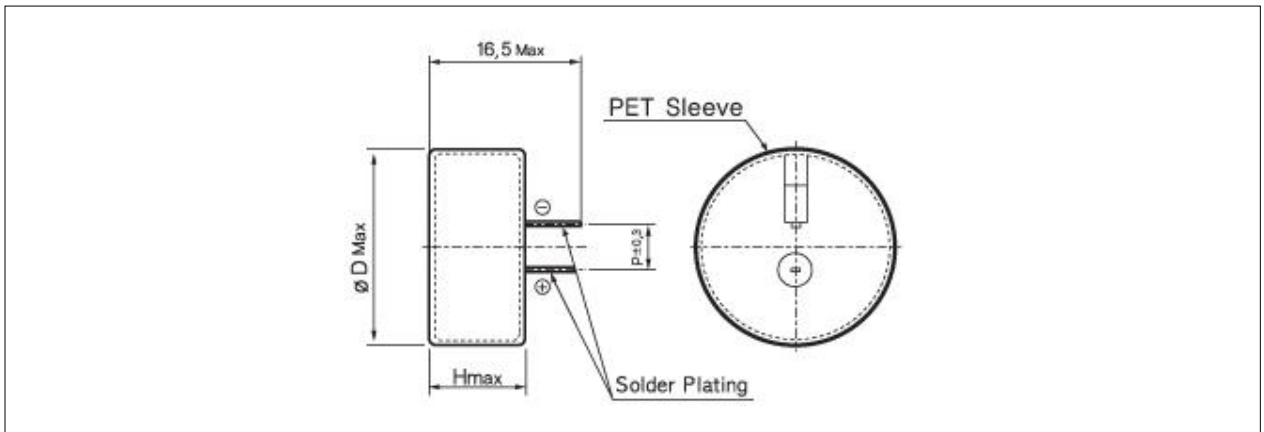
- Memory back-up for Video, Audio, Cameras, Camcorder, Telephones, Printer, Car stereo, Computer, Notebook PC, Rice cooker, PLC, Set top box, Washing machine, DVD-RW, Home network etc.



| Specifications |

| Items | Characteristics |
|--|---|
| Rated working voltage | 5.5VDC |
| Operating temperature | -25 to +85°C |
| Nominal Cap. range | 0.68 to 1.0F |
| Capacitance tolerance | -20% to +80%(at 25°C) |
| Low temperature(-25°C) characteristics | Capacitance change : ≤ 50% of the initial value at +25°C Internal resistance : Less than five times of the initial value at +25°C |
| Endurance | After 1,000hours application of rated DC working voltage at +85°C, the capacitor shall meet the following limits. <ul style="list-style-type: none"> • Capacitance change : ±30% of the initial value • Internal resistance : Less than four times of the initial value |
| Shelf life | After 1,000hours storage at +85°C without load, the capacitor shall meet the specified limit for "Life" |

| Dimensions in mm(not to scale) |



| Standard products |

| Part Number | Operating Voltage (V) | Capacitance (F) | ESR (Ω, @1kHz) | ΦD×H×P (mm) |
|--------------|-----------------------|-----------------|----------------|---------------|
| DCLT 5R5 474 | 5.5 | 0.47 | 50 | Φ21.5×9.5×5.0 |
| DCLT 5R5 684 | 5.5 | 0.68 | 50 | Φ21.5×9.5×5.0 |
| DCLT 5R5 105 | 5.5 | 1.0 | 30 | Φ21.5×9.5×5.0 |

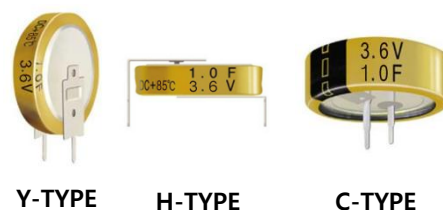
Note: It is not allowed to go through reflow (IR, Atmosphere heating methods etc.) process

| Features |

- High temperature tolerance(-25~85°C) and highly reliable

| Applications |

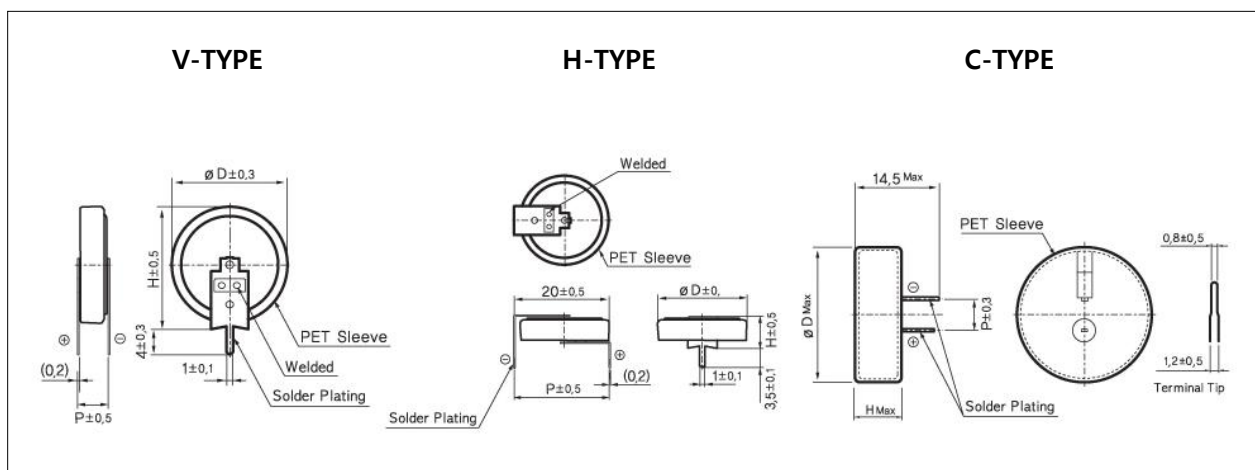
- Memory back-up for Video, Audio, Cameras, Camcorder, Telephones, Printer Car stereo, Computer, Notebook PC, Rice cooker, PLC, Set top box, Washing machine, DVD-RW, Home network etc.
- Main power for Bicycle tail light, flash lights etc.



| Specifications |

| Items | Characteristics |
|--|---|
| Rated working voltage | 3.6VDC |
| Operating temperature | -25 to +85°C |
| Maximum surge voltage | 5.5VDC |
| Nominal Cap. range | 1.0F |
| Capacitance tolerance | -20% to +80%(at 25°C) |
| Low temperature(-25°C) characteristics | Capacitance change : ≤ 50% of the initial value at +25°C Internal resistance : Less than five times of the initial value at +25°C |
| Endurance | After 1,000hours application of rated DC working voltage at +85°C, the capacitor shall meet the following limits. <ul style="list-style-type: none"> • Capacitance change : ±30% of the initial value • Internal resistance : Less than four times of the initial value |
| Shelf life | After 1,000hours storage at +85°C without load, the capacitor shall meet the specified limit for "Endurance" |

| Dimensions in mm(not to scale) |



| Standard products |

| Part Number | Operating Voltage (V) | Capacitance (F) | ESR (Ω , @1kHz) | V type(mm) | | | H type(mm) | | | C type(mm) | | |
|--------------|-----------------------|-----------------|-------------------------|------------|------|-----|------------|-----|------|------------|-----|-----|
| | | | | ϕD | H | P | ϕD | H | P | ϕD | H | P |
| DCLT 3R6 105 | 5.5 | 1.0 | ≤ 30 | 19.0 | 19.5 | 5.0 | 19.0 | 6.5 | 20.0 | 21.5 | 7.5 | 5.0 |

Note : It is not allowed to go through reflow (IR, Atmosphere heating methods etc.) process

Features

- High voltage tolerance(6.3V guaranteed) and highly reliable

Applications

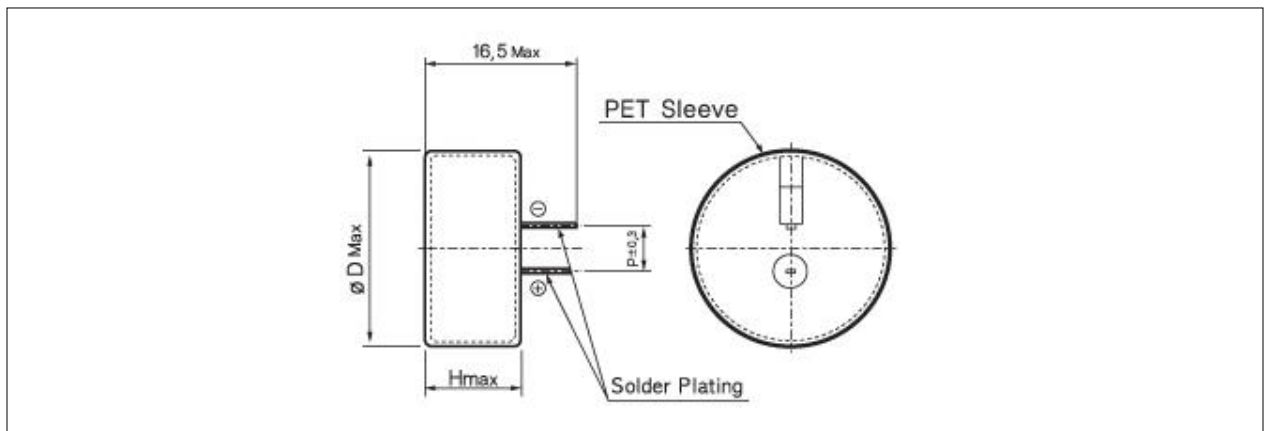
- Memory back-up for Video, Audio, Cameras, Camcorder, Telephones, Printer, Car stereo, Computer, Notebook PC, Rice cooker, PLC, Set top box, Washing machine, DVD-RW, Home network etc.



Specifications

| Items | Characteristics |
|--|---|
| Rated working voltage | 6.3VDC |
| Operating temperature | -25 to +70°C |
| Nominal Cap. range | 0.47 to 1.0F |
| Capacitance tolerance | -20% to +80%(at 25°C) |
| Low temperature(-25°C) characteristics | Capacitance change : ≤ 50% of the initial value at +25°C Internal resistance : Less than five times of the initial value at +25°C |
| Endurance | After 1,000hours application of rated DC working voltage at +70°C, the capacitor shall meet the following limits. <ul style="list-style-type: none"> • Capacitance change : ±30% of the initial value • Internal resistance : Less than four times of the initial value |
| Shelf life | After 1,000hours storage at +70°C without load, the capacitor shall meet the specified limit for "Life" |

Dimensions in mm(not to scale)



Standard products

| Part Number | Operating Voltage (V) | Capacitance (F) | ESR (Ω, @1kHz) | ΦD×H×P (mm) |
|--------------|-----------------------|-----------------|----------------|---------------|
| DCLH 6R3 474 | 6.3 | 0.47 | 50 | Φ21.5×9.5×5.0 |
| DCLH 6R3 684 | 6.3 | 0.68 | 50 | Φ21.5×9.5×5.0 |
| DCLH 6R3 105 | 6.3 | 1.0 | 30 | Φ21.5×9.5×5.0 |

Note: It is not allowed to go through reflow (IR, Atmosphere heating methods etc.) process