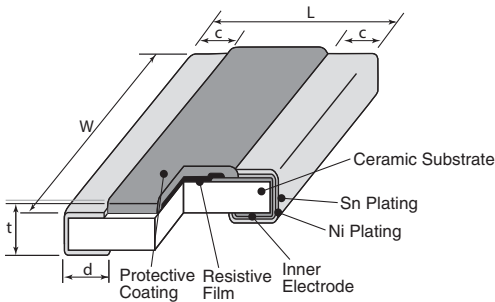


features

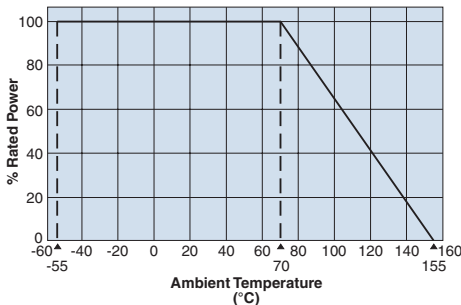
- Superior to WK73 series in pulse withstanding voltage
- Suitable for both flow and reflow solderings
- This products meet EU RoHS requirements
- AEC-Q200 Tested

dimensions and construction

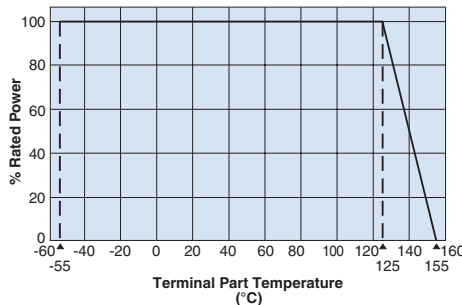


| Type (Inch Size Code) | Dimensions inches (mm) | | | | |
|--------------------------|---------------------------------------|---------------------------------------|---------------------------------------|--|--------------------------------------|
| | L | W | c | d | t |
| 2B (0612) | $.063 \pm .008$ ($1.6 \pm .02$) | $.126 \pm .012$ ($3.2 \pm .03$) | $.012 \pm .008$ (0.3 ± 0.2) | $.018 \pm .006$ (0.45 ± 0.15) | $.024 \pm .004$ (0.6 ± 0.1) |
| 2H (1020) | $.098 \pm .006$ (2.5 ± 0.15) | $.197 \pm .006$ (5.0 ± 0.15) | $.016 \pm .008$ (0.4 ± 0.2) | $.030 \pm .006$ (0.75 ± 0.15) | $.024 \pm .004$ (0.6 ± 0.1) |
| 3A (1225) | $.122 \pm .004$ ($3.1 \pm .01$) | $.248 \pm .006$ (6.3 ± 0.15) | $.018 \pm .008$ (0.45 ± 0.2) | $.030 \pm .006$ (0.75 ± 0.15) | $.024 \pm .004$ (0.6 ± 0.1) |

Derating Curve



For resistors operated at an ambient temperature of 70°C or above, a power rating shall be derated in accordance with the above derating curve.



For resistors operated terminal temperature of described for each size or above, a power rating shall be derated in accordance with the derating curve. Please refer to "Introduction of the derating curve based on the terminal part temperature" in the beginning of our catalog before use.

ordering information

| | | | | | |
|-------------|--|--|--|--------------------------------|--|
| WG73 | 2H | T | TE | 101 | K |
| Type | Power Rating 2B: 1W 2H: 1.5W 3A: 2W | Termination Surface Material T : Sn | Packaging TD: 4mm pitch punch paper TE: 4mm pitch embossed plastic For further information on packaging, please refer to Appendix A | Nominal Resistance 3 digits | Resistance Tolerance K: ±10% M: ±20% |

applications and ratings

| Part Designation | Power Rating | Rated Ambient Temperature | Rated Terminal Part Temperature | T.C.R. (X 10 ⁻⁶ /K) | Resistance Range (Ω) | | Maximum Working Voltage | Maximum Overload Voltage | Operating Temperature Range |
|------------------|--------------|---------------------------|---------------------------------|--------------------------------|----------------------|------------|-------------------------|--------------------------|-----------------------------|
| | | | | | K±10% E-12 | M±20% E-12 | | | |
| WG732B | 1.0W | 70°C | ±125°C | ±100 | 560m ~ 1k | 560m ~ 1k | 200V | 400V | -55°C to +155°C |
| WG732H | 1.5W | 70°C | ±125°C | ±100 | 560m ~ 1k | 560m ~ 1k | 200V | 400V | -55°C to +155°C |
| WG733A | 2.0W | 70°C | ±125°C | ±100 | 560m ~ 1k | 560m ~ 1k | 200V | 400V | -55°C to +155°C |

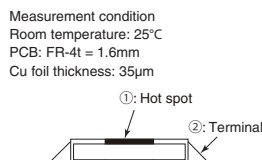
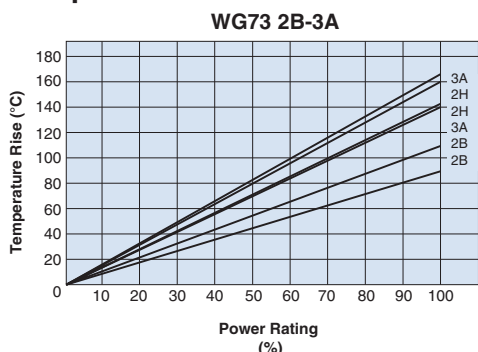
Rated voltage = $\sqrt{\text{Power rating} \times \text{resistance value}}$ or max. working voltage, whichever is lower

If any questions arise whether to use the "Rated Ambient Temperature" or the "Rated Terminal Part Temperature" in your usage conditions, please give priority to the "Rated Terminal Part Temperature."

Prior to use and for more details, please refer to the "Introduction of the derating curves based on the terminal part temperature" in the beginning of our catalog.

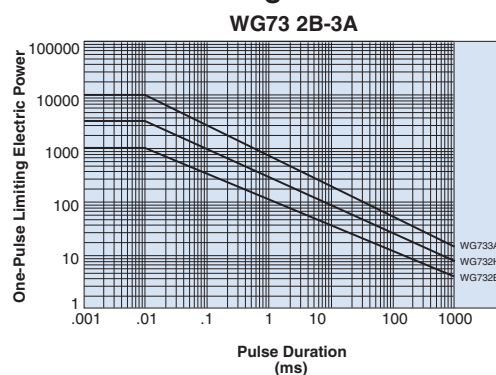
environmental applications

Temperature Rise



Regarding the temperature rise, the value of the temperature varies per conditions and board for use since the temperature is measured under our measuring conditions.

One-Pulse Limiting Electric Power



Performance Characteristics

| Parameter | Requirement $\Delta R \pm(\%+0.005\Omega)$ | | Test Method |
|-----------------------------|--|---------|---|
| | Limit | Typical | |
| Resistance | Within specified tolerance | — | 25°C |
| T.C.R. | Within specified T.C.R. | — | +25°C/-55°C and +25°C/+125°C |
| Overload (Short time) | ±2% | ±0.2% | Rated voltage (DC) x 2.5 for 5 seconds |
| Resistance to Solder Heat | ±1% | ±0.2% | 260°C ± 5°C, 10 seconds ± 1 second |
| Bending Test | ±1% | ±0.1% | Holding point 90mm, Bending 1 time, Bending 5mm |
| Rapid Change of Temperature | ±0.5% | ±0.3% | -55°C (30 minutes), +125°C (30 minutes), 100 cycles |
| Moisture Resistance | ±2% | ±0.2% | 40°C ± 2°C, 90%-95% RH, 1000 hours, 1.5 hr ON, 0.5 hr OFF cycle |
| Endurance at 70°C | ±2% | ±0.2% | 70°C ± 2°C, 1000 hours, 1.5 hr ON, 0.5 hr OFF cycle |
| High Temperature Exposure | ±1% | ±0.2% | +155°C, 1000 hours |