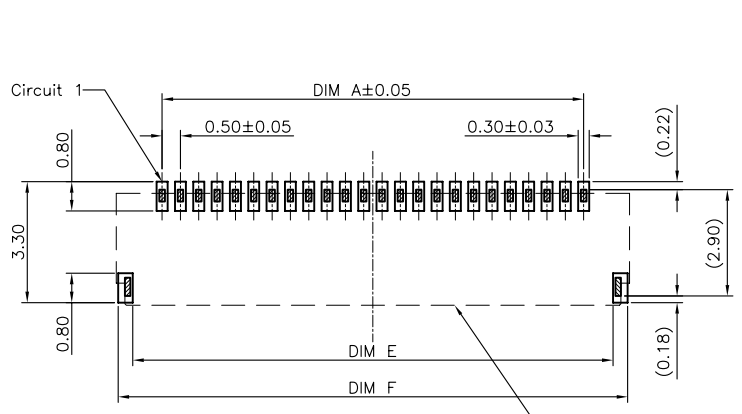
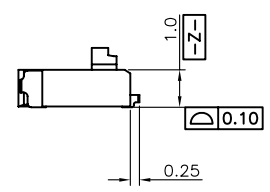
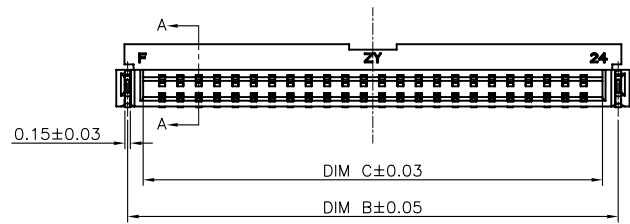
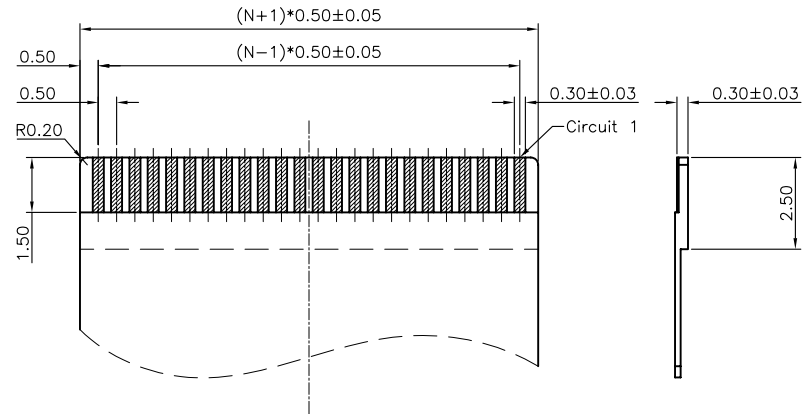


SECTION A-A
SCALE 1:1



RECOMMENDED P.C.B PATTERN LAYOUT



RECOMMENDED FPC/FFC DIMENSION

- Note:
- Material:
 - Housing: thermoplastic high temp.UL94V-0; Color: natural.
 - Latch: thermoplastic high temp.UL94V-0; Color: black.
 - Terminal: copper alloy.
 - Fitting Nail: copper alloy.
 - Finish:
 - Terminal: Underplating: Gold flash overall.
 - Fitting Nail: Underplating: matt Tin overall.
 - Product must comply HF RoHS specification.

4. Product No:
AFC42-S ** F * A - 00

CONTACTS TYPE
E:Upper
F:Lower

PLATING
1:Gold flash 1u"
2:Gold flash 2u"
3:Gold flash 3u"
4:Gold flash 5u"
K:Gold point 3u"
L:Gold point 4u"
M:Gold point 5u"

PACKING
A:Tape&Reel
C:Tube

REMARKS
HF:Halogen free
1H:Housing: black

CKTS	DIM A	DIM B	DIM C	DIM D	DIM E	DIM F
4	1.50	3.38	2.53	4.00	3.10	3.90
5	2.00	3.88	3.03	4.50	3.60	4.40
6	2.50	4.38	3.53	5.00	4.10	4.90
7	3.00	4.88	4.03	5.50	4.60	5.40
8	3.50	5.38	4.53	6.00	5.10	5.90
9	4.00	5.88	5.03	6.50	5.60	6.40
10	4.50	6.38	5.53	7.00	6.10	6.90
11	5.00	6.88	6.03	7.50	6.60	7.40
12	5.50	7.38	6.53	8.00	7.10	7.90
13	6.00	7.88	7.03	8.50	7.60	8.40
14	6.50	8.38	7.53	9.00	8.10	8.90
15	7.00	8.88	8.03	9.50	8.60	9.40
16	7.50	9.38	8.53	10.00	9.10	9.90
17	8.00	9.88	9.03	10.50	9.60	10.40
18	8.50	10.38	9.53	11.00	10.10	10.90
19	9.00	10.88	10.03	11.50	10.60	11.40
20	9.50	11.38	10.53	12.00	11.10	11.90
21	10.00	11.88	11.03	12.50	11.60	12.40
22	10.50	12.38	11.53	13.00	12.10	12.90
23	11.00	12.88	12.03	13.50	12.60	13.40
24	11.50	13.38	12.53	14.00	13.10	13.90
25	12.00	13.88	13.03	14.50	13.60	14.40
26	12.50	14.38	13.53	15.00	14.10	14.90
27	13.00	14.88	14.03	15.50	14.60	15.40
28	13.50	15.38	14.53	16.00	15.10	15.90
29	14.00	15.88	15.03	16.50	15.60	16.40
30	14.50	16.38	15.53	17.00	16.10	16.90
31	15.00	16.88	16.03	17.50	16.60	17.40
32	15.50	17.38	16.53	18.00	17.10	17.90
33	16.00	17.88	17.03	18.50	17.60	18.40
34	16.50	18.38	17.53	19.00	18.10	18.90
35	17.00	18.88	18.03	19.50	18.60	19.40
36	17.50	19.38	18.53	20.00	19.10	19.90
37	18.00	19.88	19.03	20.50	19.60	20.40
38	18.50	20.38	19.53	21.00	20.10	20.90
39	19.00	20.88	20.03	21.50	20.60	21.40
40	19.50	21.38	20.53	22.00	21.10	21.90
41	20.00	21.88	21.03	22.50	21.60	22.40
42	20.50	22.38	21.53	23.00	22.10	22.90
43	21.00	22.88	22.03	23.50	22.60	23.40
44	21.50	23.38	22.53	24.00	23.10	23.90
45	22.00	23.88	23.03	24.50	23.60	24.40
46	22.50	24.38	23.53	25.00	24.10	24.90
47	23.00	24.88	24.03	25.50	24.60	25.40
48	23.50	25.38	24.53	26.00	25.10	25.90
49	24.00	25.88	25.03	26.50	25.60	26.40
50	24.50	26.38	25.53	27.00	26.10	26.90

CUSTOMER DRAWING		深圳市钜硕电子有限公司	
Tolerance Unspecified (未注公差)	Size (图幅): A4	Product Name (产品名称):	
0.0 ±0.15 0° ±5°	Unit (单位): MM	0.5Pitch H=1.0 FPC Back-Flip R/A Type3 SMT CONN	
0.00 ±0.10 0° ±3°	Scale (比例): 1:1	Product No (产品料号):	
0.000 ±0.05 0° ±1°	Project View (投影视角): 1 OF 1	AFC42-S**F***	
Rev 版本	Change Description 变更内容	Designer (设计): Allan 11/26'14	Checked (审核):
Date 日期	Revisor 制/修订人	Approved (核准):	

A	初版发行	2013/11/26	Allan
Rev 版本	Change Description 变更内容	Date 日期	Revisor 制/修订人