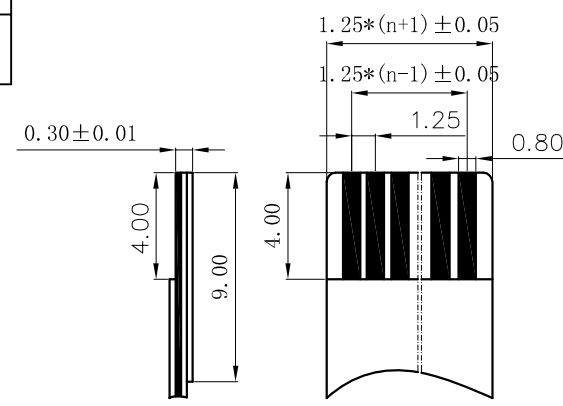
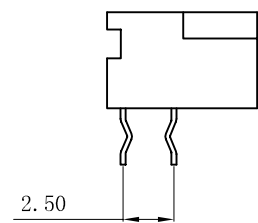
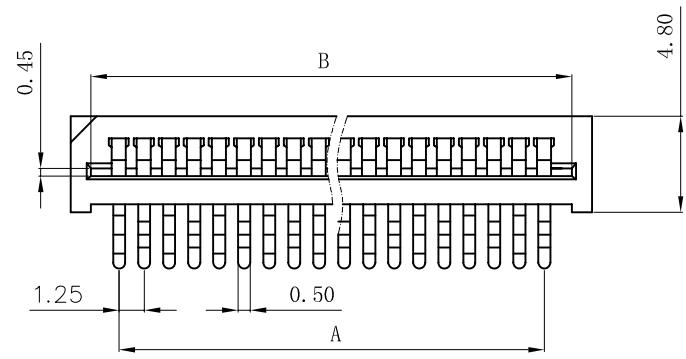
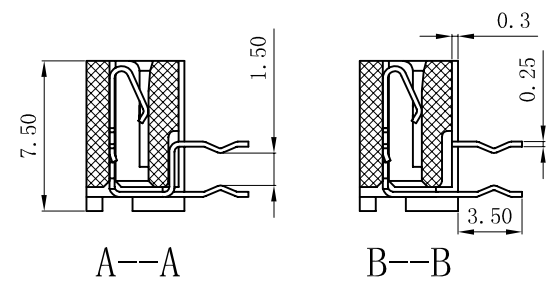
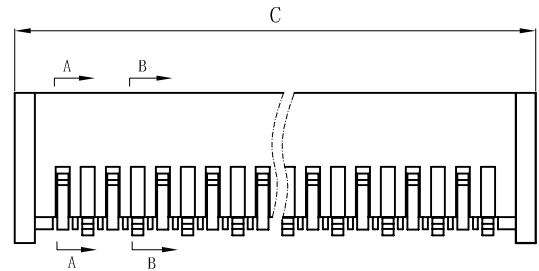
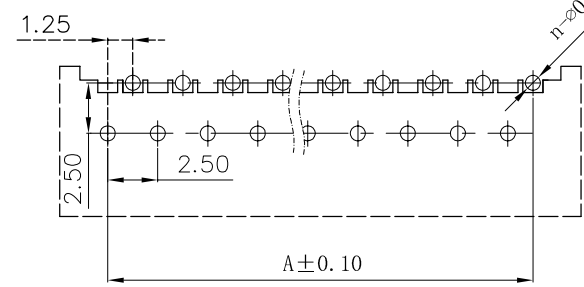


孔位	A	B	C
4	3.75	6.25	8.55
5	5.00	7.50	9.80
6	6.25	8.75	11.05
7	7.50	10.00	12.30
8	8.75	11.25	13.55
9	10.00	12.50	14.80
10	11.25	13.75	16.05
11	12.50	15.00	17.30
12	13.75	16.25	18.55
13	15.00	17.50	19.80
14	16.25	18.75	21.05
15	17.50	20.00	22.30
16	18.75	21.25	23.55
17	20.00	22.50	24.80
18	21.25	23.75	26.05
19	22.50	25.00	27.30
20	23.75	26.25	28.55
21	25.00	27.50	29.80
22	26.25	28.75	31.05
23	27.50	30.00	32.30
24	28.75	31.25	33.55
25	30.00	32.50	34.80
26	31.25	33.75	36.05
27	32.50	35.00	37.30
28	33.75	36.25	38.55
29	35.00	37.50	39.80
30	36.25	38.75	41.05
31	37.50	40.00	42.30
32	38.75	41.25	43.55
33	40.00	42.50	44.80
34	41.25	43.75	46.05
35	42.50	45.00	47.30
36	43.75	46.25	48.55
37	45.00	47.50	49.80
38	46.25	48.75	51.05
39	47.50	50.00	52.30
40	48.75	51.25	53.55



扁平电缆
PROPER CABLE



线路板
P. C. B Layout

性能:
 额定电流: 1A
 额定电压: 200V
 耐电压: 500V
 接触电阻: < 20mΩ
 绝缘电阻: 500MΩ
 工作温度: -20℃~+85℃
 塑件(材质): PBT, UL94V-0
 插簧(材质): 磷青铜, 镀锡

深圳市钜硕电子有限公司

UNLESS OTHERWISE SPECIFIED		APPROVED	DATE	PART NO	
TOLERANCES ARE				AFC25-S**WCC-00	
X.X ±0.15		CHECKED	DATE	DRAWING NO JUSHUO	
X.XX ±0.05					
X.XXX ±0.01		DRAWN	DATE	COMPUTER NO	
ANG. ±0°30'		Joan	2010.06.08		
SER	AREA	UNIT	SCALE	SIZE	NAME
		MM	8:1	A3	
REVISIONS	CHK	DATE			REV
					A