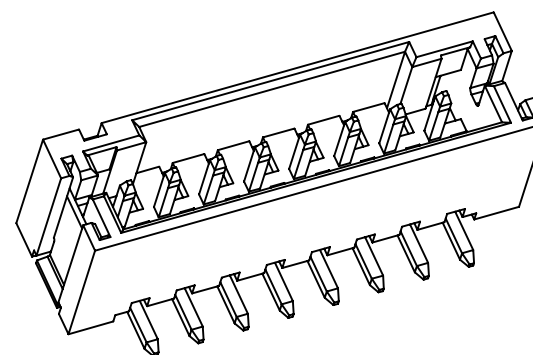
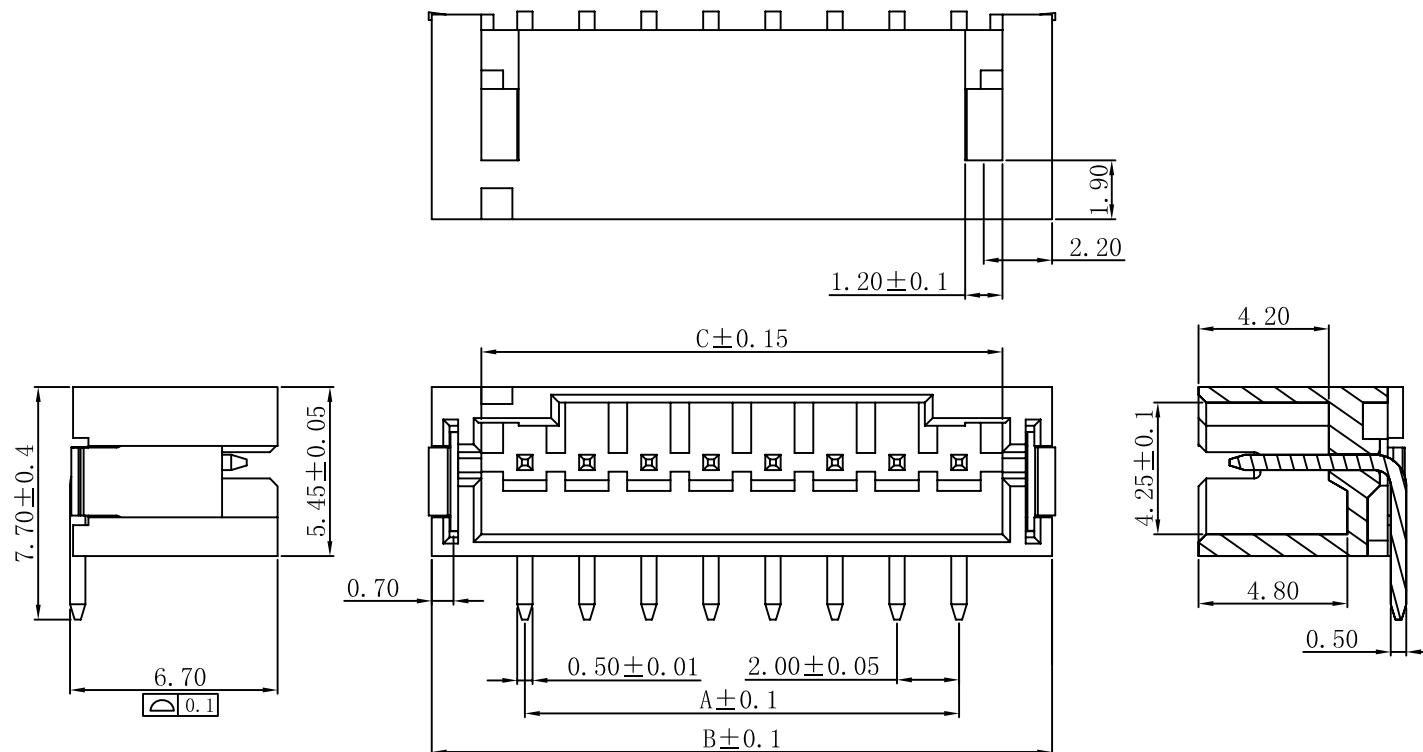


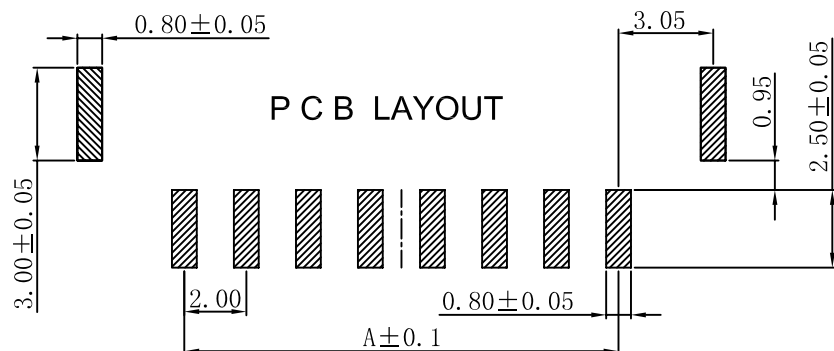
性能:

额定电流: 1A  
 额定电压: 100V  
 耐电压: 500V  
 接触电阻:  $\leq 20m\Omega$   
 绝缘电阻:  $500M\Omega$   
 工作温度:  $-20^{\circ}C \sim +85^{\circ}C$

塑件(材质): LCP, UL94V-0  
 插簧(材质): 黄铜, 镀锡  
 焊片(材质): 磷青铜, 镀锡



孔位	A	B	C
2	2.00	8.00	4.80
3	4.00	10.00	6.80
4	6.00	12.00	8.80
5	8.00	14.00	10.80
6	10.00	16.00	12.80
7	12.00	18.00	14.80
8	14.00	20.00	16.80
9	16.00	22.00	18.80
10	18.00	24.00	20.80
11	20.00	26.00	22.80
12	22.00	28.00	24.80



$X \pm 0.20$	$X^{\circ} \pm 5^{\circ}$	UNITS	NAME(INTENDED USE)	深圳市钜硕电子有限公司
$.X \pm 0.15$	$.X^{\circ} \pm 2^{\circ}$	MAT'L	2.0 立贴/wafer	
$.XX \pm 0.08$	$.XX^{\circ} \pm 1^{\circ}$	FINISH	PART NO.(INTENDED USE)	TITLE:
$.XXX \pm 0.05$	$.XXX^{\circ} \pm 0.5^{\circ}$		AFC20-S**BCC-00	2.0 立贴/wafer
THESE DRAWINGS AND SPECIFICATIONS ARE THE PROPERTY OF JU MING ELECTRON FACTORY AND SHALL NOT BE REPRODUCED, COPIED OR USED IN ANY MANNER WITHOUT THE PRIOR WRITTEN CONSENT OF JU MING ELECTRON FACTORY			APPD:	DWG NO.:
			Q'TY	CHKD:
DR: XFC 2010.05.08				