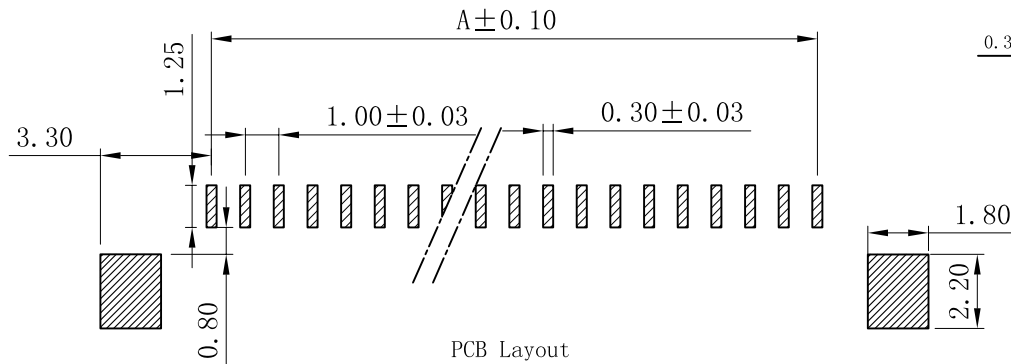
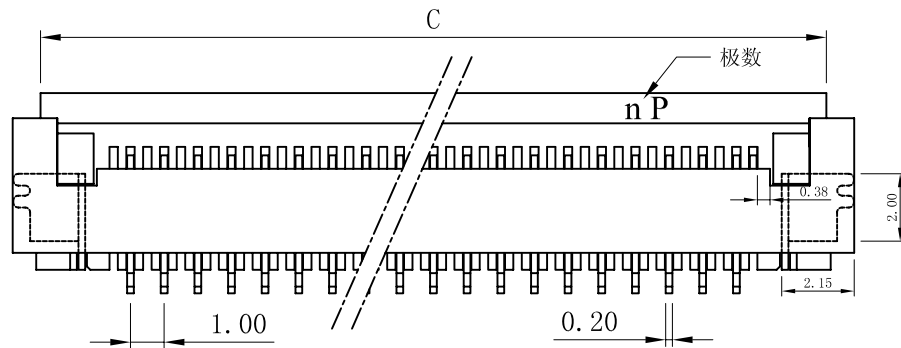
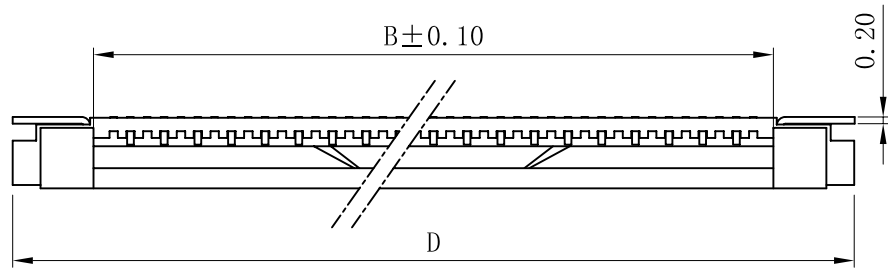
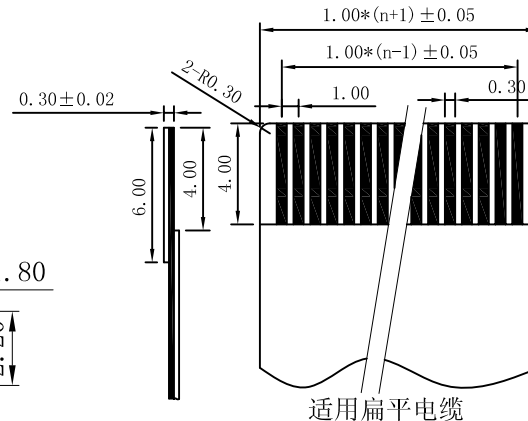
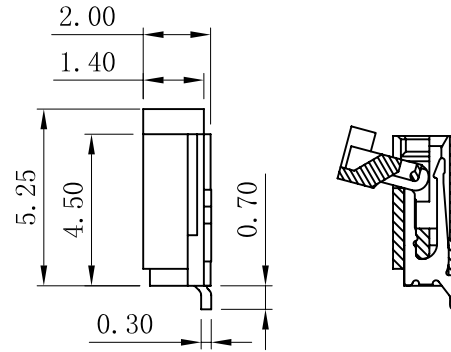


PITCH 1.00mm FPC CONNECTOR SMT TYPE



性能:

- 额定电流: 0.4A
- 额定电压: 50V
- 耐电压: 200V
- 接触电阻: $\leq 20m\Omega$
- 绝缘电阻: 500M Ω
- 工作温度: -20℃~+85℃
- 塑件(材质): LCP本色, UL94V-0
- 锁扣(材质): LCP黑色, UL94V-0
- 插簧(材质): 磷青铜, 镀锡/镀金
- 焊片(材质): 黄铜, 镀锡/镀金



孔位	A	B	C	D
4	3.00	5.10	8.50	9.90
5	4.00	6.10	9.50	10.90
6	5.00	7.10	10.50	11.90
7	6.00	8.10	11.50	12.90
8	7.00	9.10	12.50	13.90
9	8.00	10.10	13.50	14.90
10	9.00	11.10	14.50	15.90
11	10.00	12.10	15.50	16.90
12	11.00	13.10	16.50	17.90
13	12.00	14.10	17.50	18.90
14	13.00	15.10	18.50	19.90
15	14.00	16.10	19.50	20.90
16	15.00	17.10	20.50	21.90
17	16.00	18.10	21.50	22.90
18	17.00	19.10	22.50	23.90
19	18.00	20.10	23.50	24.90
20	19.00	21.10	24.50	25.90
21	20.00	22.10	25.50	26.90
22	21.00	23.10	26.50	27.90
23	22.00	24.10	27.50	28.90
24	23.00	25.10	28.50	29.90
25	24.00	26.10	29.50	30.90
26	25.00	27.10	30.50	31.90
27	26.00	28.10	31.50	32.90
28	27.00	29.10	32.50	33.90
29	28.00	30.10	33.50	34.90
30	29.00	31.10	34.50	35.90
31	30.00	32.10	35.50	36.90
32	31.00	33.10	36.50	37.90
33	32.00	34.10	37.50	38.90
34	33.00	35.10	38.50	39.90
35	34.00	36.10	39.50	40.90

X. ± 0.3	X° ± 5°	UNITS mm	NAME (INTENDED USE)	深圳市钜硕电子有限公司 TITLE: AFA01-S**F**-00 DWG NO.: 100K11-DXB0000000 SCALE SHEET REV. 1/1 1/1 A
.X ± 0.25	.X° ± 2°	MAT'L	1.0mm FPC (D型) 下接盖盖式	
.XX ± 0.20	.XX° ± 1°	FINISH	PART NO. (INTENDED USE)	
.XXX ± 0.10	.XXX° ± 0.5°	Q'TY	APPD:	
THESE DRAWINGS AND SPECIFICATIONS ARE THE PROPERTY OF DE RUI ELECTRON FACTORY AND SHALL NOT BE REPRODUCED, COPIED OR USED IN ANY MANNER WITHOUT THE PRIOR WRITTEN CONSENT OF DE RUI ELECTRON FACTORY			CHKD:	
			DR: YLZ 2011.09.28	