

**SPECIFICATIONS**

Rated(额定参数): 300V,8A  
 Dielectric strength(抗电强度): AC1500V/1 Minute  
 Insulation Resistance(绝缘电阻):1000MΩ Min  
 Contact Resistance(接触电阻):20mΩ Max  
 Screw Torque(扭矩): 0.2Nm (1.7Lb.in)  
 Wire Range(线径):28~16AWG  
 Strip length(剥线长度):6~7mm  
 Temp. range(操作温度): -40℃~+105℃  
 MAX Soldering(瞬时温度):+250℃,5s

Housing Material(塑件): PA66 (UL94 V-0)  
 Contact(端子): Phosphor Bronze, Tin plating(磷铜镀锡)  
 Clamp(方块): Brass(黄铜), Ni plating(镀镍)  
 Screw (螺丝): M2.0 Steel, Zinc plating(钢,镀锌)

	PITCH RANGE		NOMINAL DIMENSION RANGE					
	IN MM		IN MM		IN MM		IN MM	
TO	OVER	TO	OVER	TO	OVER	TO	OVER	
6	10	10	30	60	100	100	150	
10	24	30	60	100	150	150	150	
±0.10	±0.15	±0.25	±0.30	±0.30	±0.50	±0.70	±1.00	

**Ordering Information**

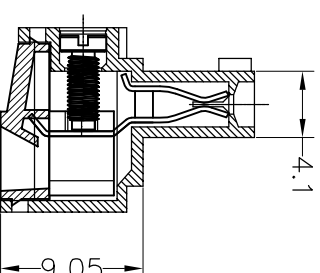
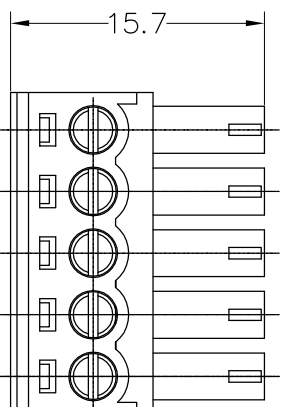
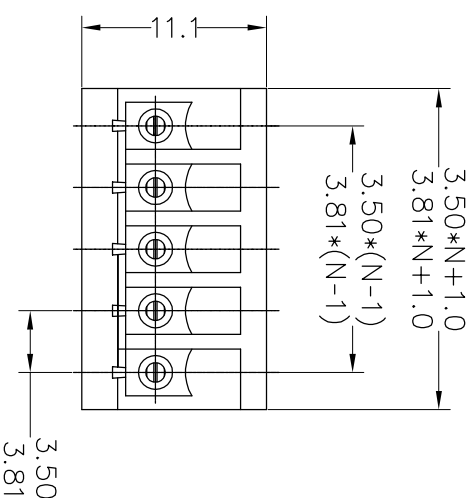
**JL15EDGK-XXX XX G X 1**

Pitch  
 350=3.5PH  
 381=3.81PH

No.of pins  
 2P,3P,4P~24P

Housing Color  
 B=Black  
 G=Green  
 U=Blue  
 R=Red  
 W=White  
 Y=Yellow  
 O=Orange  
 E=Grey

Packing  
 O=Pe bag  
 A=Troy



OPERATION		DRAW		BEN		SCALE		FIT		PART NO.	
XX	±0.30				17.01.05	UNIT	mm	A4	1/1	JL15EDGK-XXXXGX1	
X.XX	±0.20	CHECK				SIZE				3.50/3.81 Pitch Female	
X.XXX	±0.10		APPROVE			SHEET				Pluggable Terminal Blocks	
Angle	±3°					PROU.				TITLE:	
DIM	TOL	CHANGE								1	
DATE	MODIFICATION DESCRIPTION									2	
REV										3	
1										4	
										5	
										6	
										7	
										8	
										9	



深圳市锦凌电子有限公司  
 SHENZHEN JINLING ELECTRONIC CO.,LTD  
 Tel: 86-755-2997-5806/5802 Fax: 86-755-2997-5992