

SPECIFICATIONS

Rated (额定参数): 300V, 10A
 Dielectric strength (抗电强度): AC2000V/1 Minute
 Insulation Resistance (绝缘电阻): 1000MΩ Min
 Contact Resistance (接触电阻): 20mΩ Max
 Wire Range (线径): 1.6~2.2AWG
 Strip length (剥线长度): 10mm
 Temp. range (操作温度): -40°C~+105°C
 MAX Soldering (瞬时温度): +250°C, 5s

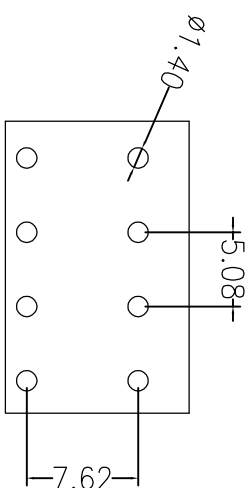
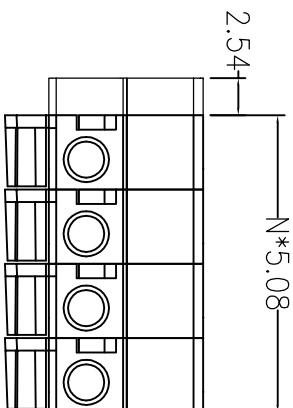
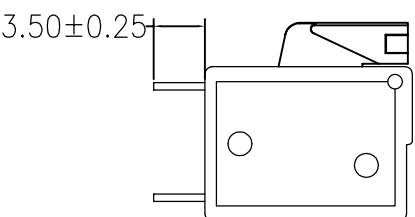
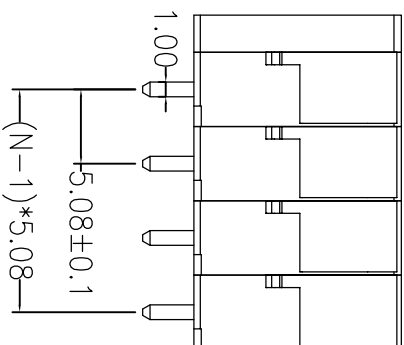
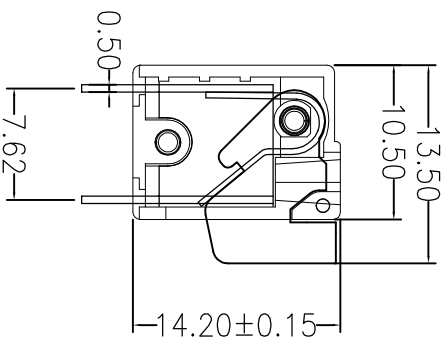
Housing Material (塑件): PA66 (UL94 V-0)
 Contact (端子): Brass, Tin plating (黄铜镀锡)
 Reed (弹片): Stainless steel (不锈钢)

PITCH RANGE IN MM	NOMINAL DIMENSION RANGE IN MM				
	OVER TO	OVER TO	OVER TO	OVER TO	OVER TO
6	6	10	30	60	100
10	10	24	30	100	150
±0.10	±0.15	±0.25	±0.30	±0.30	±0.50
				±0.70	±1.00

Ordering Information

JL 142V - 508 XX G X 1

Pitch 508=5.08PH
 No. of pins 1P-XXP
 Housing Color
 B=Black
 G=Green
 U=Blue
 R=Red
 W=White
 Y=Yellow
 O=Orange
 E=Grey
 Packing
 0=Pe
 T=Tube
 A=Troy



Recommended P.C.B Layout (Top Side)

REV	DATE	MODIFICATION DESCRIPTION	CHANGE	OPERATION		DRAW	BEN	17.01.04	SCALE	FIT	PART NO.	TITLE:
				DIM	TOL				UNIT	mm		
A0	2017.01.04	NEW DRAWING		X.XX	±0.30	CHECK		A4	1/1	JL 142V-508XXGX1		
1												5.08mm PCB SPRING TERMINAL BOLCKS

JILIN 深圳市锦凌电子有限公司
 SHENZHEN JINLING ELECTRONIC CO.,LTD
 Tel: 86-755-2997-5806/5802 Fax: 86-755-2997-5992