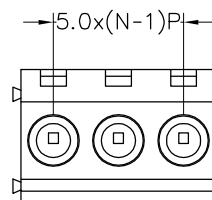
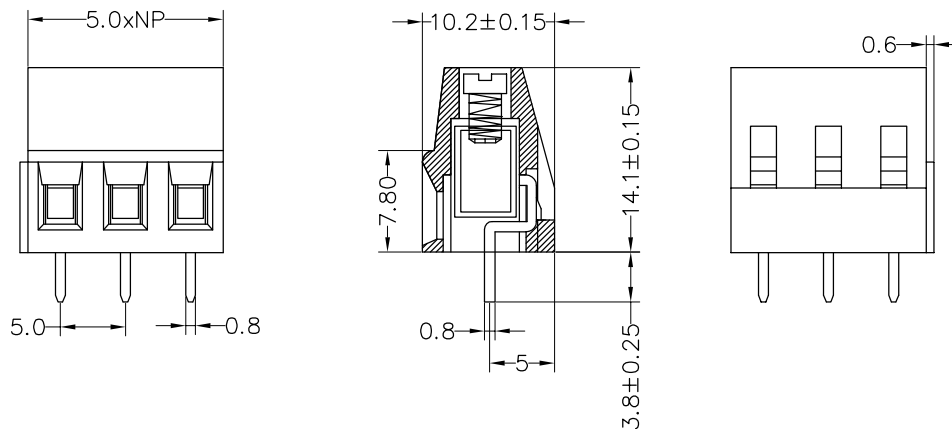


HSF RoHS

SPECIFICATIONS

Rated(额定参数): 300V,10A
 Dielectric strength(抗电强度): AC2000V/1 Minute
 Insulation Resistance(绝缘电阻):1000MΩ Min
 Contact Resistance(接触电阻):20mΩ Max
 Screw Torque(扭矩): 0.4Nm (3.5Lb.in)
 Wire Range(线径):12~24AWG
 Strip length(剥线长度):6~7mm
 Temp. range(操作温度): -40℃~+105℃
 MAX Soldering(瞬时温度):+250℃,5s

Housing Material(塑件): PA66 (UL94 V-0)
 Contact(端子): Brass, Tin plating(黄铜镀锡)
 Clamp(方块): Brass/Steel(铜/铁), Ni plating(镀镍)
 Screw (螺丝): M2.5, Steel, Zinc plating(钢 镀锌)



PITCH RANGE IN MM			NOMINAL DIMENSION RANGE IN MM				
TO	OVER	OVER	TO	OVER	OVER	OVER	OVER
6	10	10	30	30	60	100	150
10	24	24	30	60	100	150	150
± 0.10	± 0.15	± 0.25	± 0.30	± 0.30	± 0.50	± 0.70	± 1.00

Ordering Information

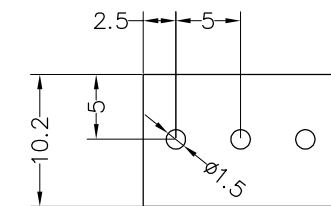
JL 128 - 500 XX X X 1

Pitch
500=5.0PH

No. of pins
2P,3P,4P~24P

Housing Color
 B=Black
 G=Green
 U=Blue
 R=Red
 W=White
 Y=Yellow
 O=Orange
 E=Grey

Packing
 O=Pe bag
 T=Tube
 A=Tray



Recommended P.C.B Layout(Top Side)

OPERATION		DRAW	BEN	17.01.04	SCALE	FIT
X.X	± 0.30					
X.XX	± 0.20	CHECK			UNIT	mm
X.XXX	± 0.10	APPROVE			SIZE	A4
Angle	$\pm 3^\circ$				SHEET	1/1
DIM	TOL				PROJ.	

JILN 深圳市锦凌电子有限公司
 SHENZHEN JINLING ELECTRONIC CO.,LTD
 Tel: 86-755-2997-5806/5802 Fax: 86-755-2997-5992

REV	DATE	MODIFICATION DESCRIPTION	CHANGE
A0	2017.01.04	NEW DRAWING	

PART NO.	JL128-500XXXX1
TITLE:	5.00mm Terminal Blocks Female 180°