

iMOTION™ IMC100

High performance motor control IC series

IMC100

Quality Requirement Category: Industry

Feature list

- Motion Control Engine (MCE) as ready-to-use solution for variable speed drives
- Field oriented control (FOC) for permanent magnet synchronous motor (PMSM)
- Space vector PWM with sinusoidal commutation and integrated protection features
- Current sensing via single or leg shunt
- Sensorless operation
- Optional support for hall sensors (analog or digital)
- Optional boost or totem pole PFC control integrated
- Flexible host interface options for motor control commands: UART, PWM or analog input signal
- Support for IEC/UL 60335 ('Class B')
- Integrated scripting engine for application flexibility
- Multiple package options

Applications

- Refrigerators
- Home appliances
- Pumps, fans
- ...any other PMSM drive

Ordering Information

Product Type	Application	Package
IMC099T-T038	single motor, no scripting, no class B	TSSOP-38
IMC101T-T038	single motor	TSSOP-38
IMC101T-Q048		QFN-48
IMC101T-F048		LQFP-48
IMC101T-F064		LQFP-64
IMC102T-F048	single motor + PFC (boost, totem pole)	LQFP-48
IMC102T-F064		LQFP-64

Description

Description

iMOTION™ IMC100 is a family of highly integrated ICs for the control of variable speed drives. By integrating both the required hardware and software to perform control of a permanent magnet synchronous motor (PMSM) they provide the shortest time to market for any motor system at the lowest system and development cost. The integrated script engine allows to add application flexibility without interfering with the motor and PFC control algorithm.

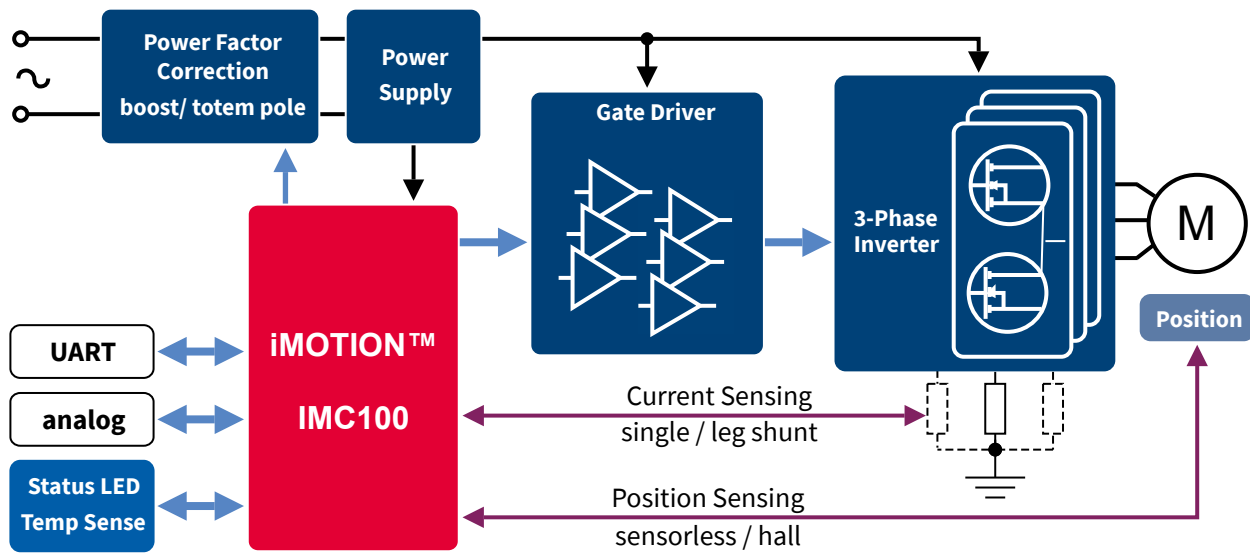


Table of contents

Table of contents

	Feature list	1
	Applications	1
	Description	2
	Table of contents	3
	About this document	4
1	Block Diagram Reference	5
2	Pin Configuration	6
2.1	Pin Configuration IMC099T/ IMC101T	6
2.2	Pin Configuration Drawing IMC099T/ IMC101T	9
2.3	Pin Configuration IMC102T	13
2.4	Pin Configuration Drawing IMC102T	16
3	Functional description	18
3.1	Application schematic motor control single shunt	19
3.2	Application schematic motor control leg shunt	20
3.3	Application schematic motor control plus boost PFC	21
3.4	Application schematic motor control plus totem pole PFC	22
4	Electrical characteristics and parameters	23
4.1	General Parameters	23
4.1.1	Parameter Interpretation	23
4.1.2	Absolute Maximum Ratings	23
4.1.3	Pin Reliability in Overload	24
4.1.4	Operating Conditions	26
4.2	DC Parameters	27
4.2.1	Input/Output Characteristics	27
4.2.2	Analog to Digital Converter (ADC)	29
4.2.3	Power Supply Current	30
4.2.4	Flash Memory Parameters	30
4.3	AC Parameters	31
4.3.1	Testing Waveforms	31
4.3.2	Power-Up and Supply Threshold Characteristics	32
4.3.3	On-Chip Oscillator Characteristics	34
4.4	Motor Control Parameters	36
4.4.1	PWM Characteristics	36
4.4.2	Current Sensing	36
4.4.3	Fault Timing	37
4.5	Power Factor Correction (PFC) parameters	38
4.5.1	Boost PFC characteristics	38

About this document

4.5.2	Totem Pole PFC characteristics	38
4.5.3	PFC Current Sensing	38
4.5.4	PFC Fault Timing	39
4.6	Control Interface Parameters	40
4.6.1	Serial Interface Parameters	40
4.6.1.1	UART Interface	40
4.6.2	Analog Speed Input	41
4.6.3	Frequency Input	42
4.6.4	Duty Cycle Input	43
4.6.5	Over Temperature Input	44
4.6.6	Pulse Output	44
4.6.7	LED Output	44
4.7	Quality declaration	45
5	Device and Package specification	46
5.1	SBSL and Chip-IDs	46
5.2	Package Outlines	47
5.2.1	Package Outline PG-TSSOP-38-9	47
5.2.2	Package Outline PG-VQFN-48-73	48
5.2.3	Package Outline PG-LQFP-48-10	49
5.2.4	Package Outline PG-LQFP-64-26	50
5.3	Thermal Considerations	51
5.4	Part marking	52
6	References	53
	Revision history	53
	Disclaimer	54

About this document

Scope and purpose

This Datasheet describes the mechanical, electrical and functional characteristics of the iMOTION™ IMC100 series of motor control ICs. If no specific device is given the characteristics are valid for all devices within the iMOTION™ IMC100 series.

For a detailed description of the functionality and configuration options please refer to the reference manual of the Motion Control Engine.

Intended audience

The Datasheet is targeting developers implementing a variable speed drive.

Block Diagram Reference

1 Block Diagram Reference

The block diagram below gives an overview on the available functional units in the iMOTION™ IMC100 family. Not all units are required in all applications and some modules might share pins in smaller packages. Please refer to the pin configuration for the individual packages and the application schematic examples given.

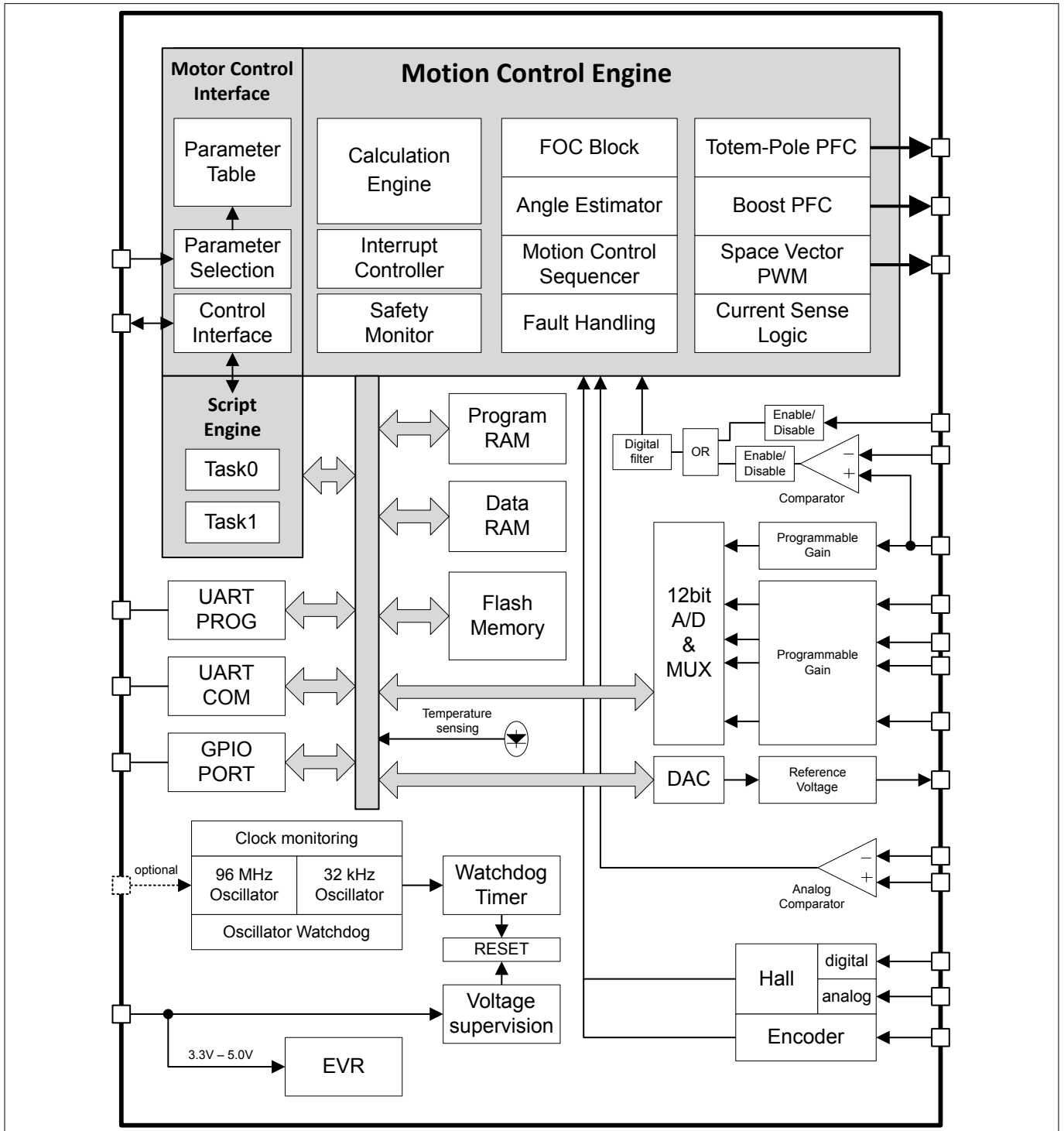


Figure 1 Block diagram

Pin Configuration

2 Pin Configuration

The following tables give the pin configurations of the individual devices of the IMC100 series in the available packages.

The pin type is specified as follows:

- I - digital input
- O - digital output
- AIN - analog input

The pin function given below refers to the standard software configuration. Different software might configure pins differently. Some of the input pins can be configured to have pull up or pull down resistor and some output pins can be configured to push-pull or open drain. This is described in the reference manual of the respective software.

Pins can serve multiple functions and have to be configured accordingly. Please also refer to the respective pin configuration drawings in this data sheet and the description in the MCE software manual.

Pins that do not have any signal assigned are reserved for future use. These pins should be left unconnected and neither be connected to ground nor to the positive supply.

Note: All required reference voltages are generated by an internal DAC, therefore the pins like REFU, REFV, REFW and PFCREF only require a blocking capacitor.

2.1 Pin Configuration IMC099T/ IMC101T

Note: IMC099T-T038 does not support scripting. Therefore the scripting pins given below for the TSSOP-38 package only apply to the IMC101T-T038.

Table 1 Pin list

Signal	Type	LQFP-64	VQFN-48	LQFP-48	TSSOP-38	Description
Supply						
VDD	Power	2, 24, 25, 35, 50	18, 19, 27, 38	21, 28, 38	10, 26	Supply Voltage
VSS	Power	1, 23, 49	17, 37	20, 37	9, 25	Ground
Motor control						
PWMUL	O	29	21	22	11	PWM output phase U low side
PWMUH	O	30	22	23	12	PWM output phase U high side
PWMVL	O	31	23	24	13	PWM output phase V low side
PWMVH	O	32	24	25	14	PWM output phase V high side
PWMWL	O	33	25	26	15	PWM output phase W low side
PWMWH	O	34	26	27	16	PWM output phase W high side
GK	I	36	28	29	18	Motor gate kill input
VDC	AIN	14	8	11	2	DC bus sensing input
ISS/IU	AIN	18	12	15	6	Current sense input single shunt / phase U
IV	AIN	15	9	12	3	Current sense input phase V / analog input

Pin Configuration

Table 1 Pin list (continued)

Signal	Type	LQFP-64	VQFN-48	LQFP-48	TSSOP-38	Description
IW	AIN	11	5	8	37	Current sense input phase W / analog input
REFU	AIN	17	11	14	5	Itrip phase U reference / analog input
REFV	AIN	16	10	13	4	Itrip phase V reference / analog input
REFW	AIN	10	4	7	36	Itrip phase W reference / analog input
Hall sensor inputs						
AHALL1+	AIN	10	4	7	36	Analog hall 1 positive input
AHALL1-	AIN	11	5	8	37	Analog hall 1 negative input
AHALL2+	AIN	16	10	13	4	Analog hall 2 positive input
AHALL2-	AIN	15	9	12	3	Analog hall 2 negative input
HALL1	I	26	44	47	1	Digital hall input 1
HALL2	I	27	45	48	38	Digital hall input 2
HALL3	I	28	46	1	8	Digital hall input 3
Interface						
DIR	I	52	40	40	28	Direction input
DUTYFREQ ¹⁾	I	55	43	43	31	Duty/Frequency input
VSP	AIN	9	3	6	35	Analog speed reference input
PGOUT	O	42	30	34	21	Pulse output
PARAM	AIN	20	14	17	8	Parameter table selection, analog
PAR0	I	3	33	2	22	Parameter page select 0
PAR1	I	4	34	3	23	Parameter page select 1
PAR2	I	5	35	4	24	Parameter page select 2
PAR3	I	6	36	5	27	Parameter page select 3
NTC	AIN	13	7	10	7	External thermistor input
LED	O	41	29	35	17	Status LED
Communication						
RX0	I	57	45	45	33	Serial port 0, device programming, receive input
TX0	O	58	46	46	34	Serial port 0, device programming, transmit output
RX1	I	63	47	30	20	Serial port 1, user communication, receive input
TX1	O	64	48	31	19	Serial port 1, user communication, transmit output
Scripting						
AIN0	AIN	9	3	6	35	Analog input 0

¹ Function not available when used with Hall sensor mode (i.e. AHALL1+/- and AHALL2+/- or HALL1/2/3 are used)

Pin Configuration

Table 1 Pin list (continued)

Signal	Type	LQFP-64	VQFN-48	LQFP-48	TSSOP-38	Description
AIN1	AIN	10	4	7	36	Analog input 1
AIN2	AIN	11	5	8	37	Analog input 2
AIN3	AIN	12	6	9	38	Analog input 3
AIN4	AIN	13	7	10	1	Analog input 4
AIN7	AIN	16	10	13	4	Analog input 7
AIN8	AIN	17	11	14	5	Analog input 8
AIN10	AIN	19	13	16	7	Analog input 5
AIN11	AIN	20	14	17	8	Analog input 6
GPIO2	IO	3	33	2	22	Digital input/output 2
GPIO3	IO	4	34	3	23	Digital input/output 3
GPIO4	IO	5	35	4	24	Digital input/output 4
GPIO5	IO	6	36	5	27	Digital input/output 5
GPIO6	IO	52	40	40	28	Digital input/output 6
GPIO7	IO	7	1	1	29	Digital input/output 7
GPIO8	IO	8	2	32	30	Digital input/output 8
GPIO9	IO	26	20	33	32	Digital input/output 9
GPIO10	IO	27	31	36		Digital input/output 10
GPIO11	IO	28	32	39		Digital input/output 11
GPIO12	IO	37	39	41		Digital input/output 12
GPIO13	IO	38	41	42		Digital input/output 13
GPIO14	IO	39	42	44		Digital input/output 14
GPIO15	IO	40	44	47		Digital input/output 15
GPIO16	IO	43	15	48		Digital input/output 16
GPIO17	IO	44	16	18		Digital input/output 17
GPIO18	IO	45		19		Digital input/output 18
GPIO19	IO	46				Digital input/output 19
GPIO20	IO	47				Digital input/output 20
GPIO21	IO	48				Digital input/output 21
GPIO22	IO	51				Digital input/output 22
GPIO23	IO	53				Digital input/output 23
GPIO24	IO	54				Digital input/output 24
GPIO25	IO	56				Digital input/output 25
GPIO26	IO	59				Digital input/output 26
GPIO27	IO	60				Digital input/output 27
GPIO28	IO	61				Digital input/output 28
GPIO29	IO	62				Digital input/output 29

Pin Configuration

2.2 Pin Configuration Drawing IMC099T/ IMC101T

The following drawings give the position of the functional pins for the available packages.

Note: IMC099T-T038 does not support scripting. Therefore the scripting pins given in the drawing below for the TSSOP-38 package only apply to the IMC101T-T038.

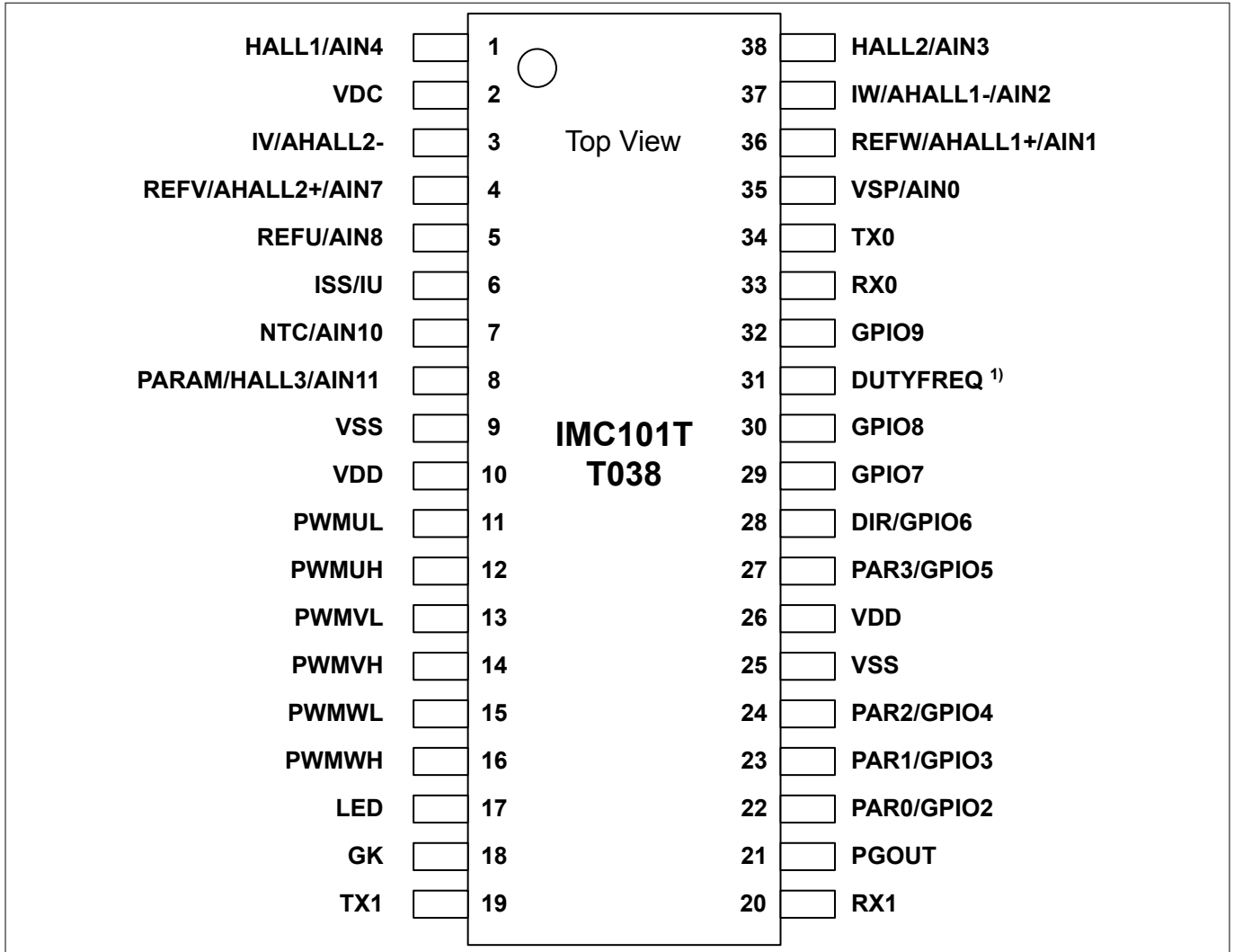


Figure 2 IMC099T-T038, IMC101T-T038

Pins that do not have any signal assigned are reserved for future use. These pins should be left unconnected and neither be connected to ground nor to the positive supply.

Pin Configuration

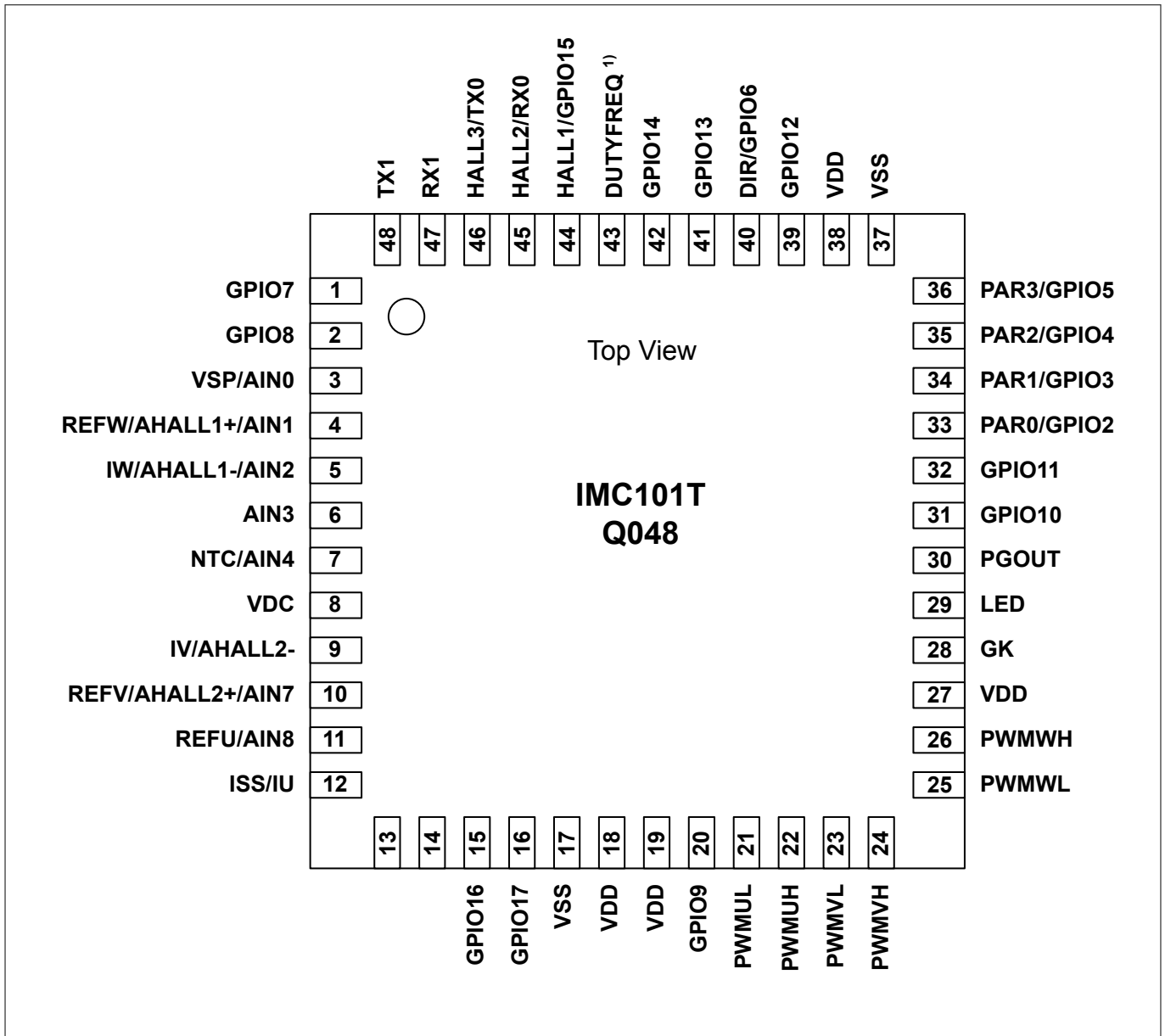


Figure 3 IMC101T-Q048

Pins that do not have any signal assigned are reserved for future use. These pins should be left unconnected and neither be connected to ground nor to the positive supply.

Pin Configuration

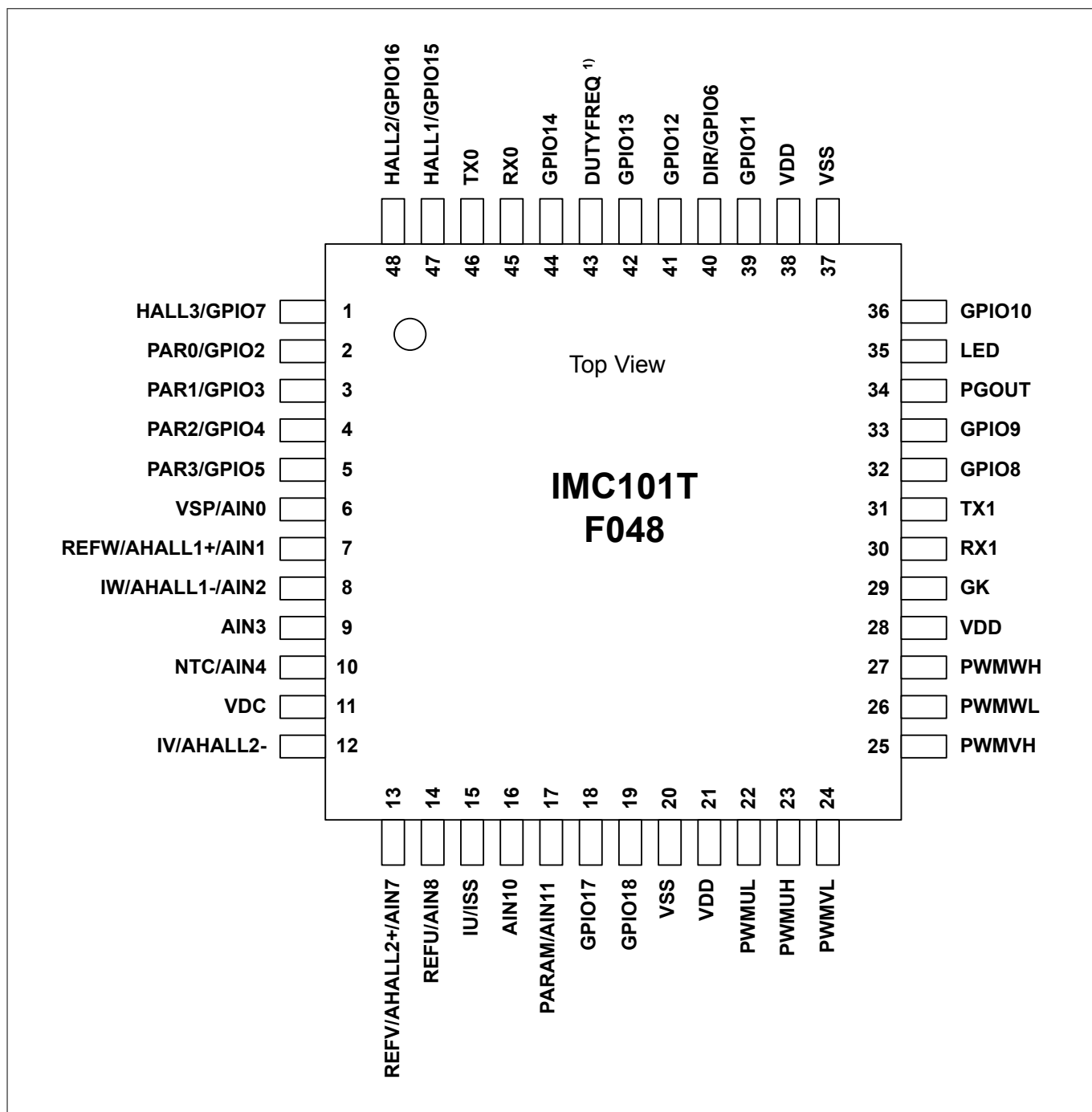


Figure 4 IMC101T-F048

Pins that do not have any signal assigned are reserved for future use. These pins should be left unconnected and neither be connected to ground nor to the positive supply.

Pin Configuration

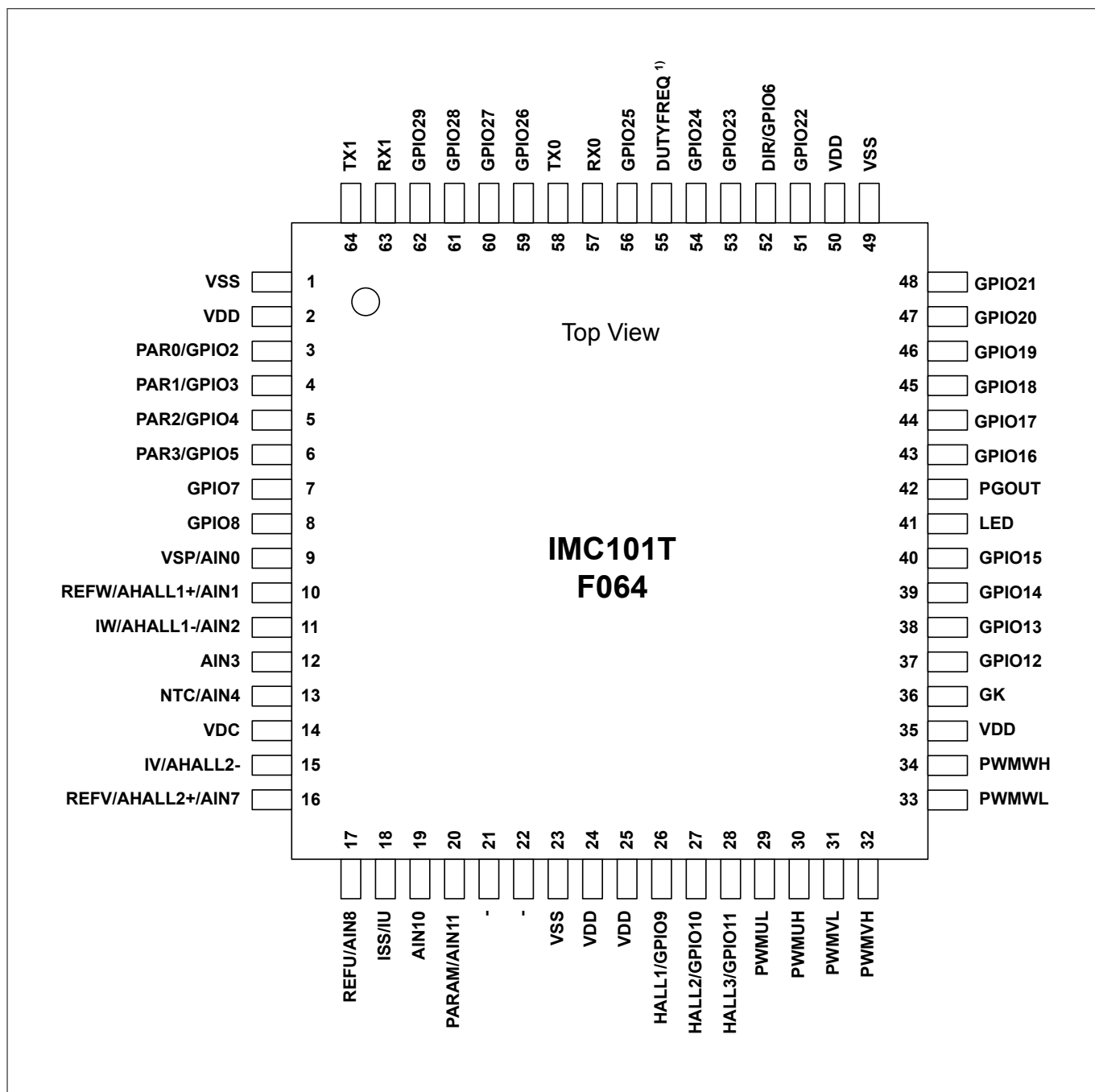


Figure 5 IMC101T-F064

Pins that do not have any signal assigned are reserved for future use. These pins should be left unconnected and neither be connected to ground nor to the positive supply.

Pin Configuration

2.3 Pin Configuration IMC102T

Table 2 Pin list Motion Control Engine

Signal	Type	LQFP-64	LQFP-48	Description
Supply				
VDD	Power	2, 24, 25, 35, 50	21, 28, 38	Supply Voltage
VSS	Power	1, 23, 49	20, 37	Ground
Motor control				
PWMUL	O	29	22	PWM output phase U low side
PWMUH	O	30	23	PWM output phase U high side
PWMVL	O	31	24	PWM output phase V low side
PWMVH	O	32	25	PWM output phase V high side
PWMWL	O	33	26	PWM output phase W low side
PWMWH	O	34	27	PWM output phase W high side
GK	I	36	29	Motor gate kill input
VDC	AIN	14	11	DC bus sensing input
ISS/IU	AIN	18	15	Current sense input single shunt / phase U
IV	AIN	15	12	Current sense input phase V / analog input
IW	AIN	11	8	Current sense input phase W / analog input
REFU	AIN	17	14	Itrip phase U reference / analog input
REFV	AIN	16	13	Itrip phase V reference / analog input
REFW	AIN	10	7	Itrip phase W reference / analog input
Hall sensor inputs				
AHALL1+	AIN	10	7	Analog hall 1 positive input
AHALL1-	AIN	11	8	Analog hall 1 negative input
AHALL2+	AIN	16	13	Analog hall 2 positive input
AHALL2-	AIN	15	12	Analog hall 2 negative input
HALL1	I	26	47	Digital hall input 1
HALL2	I	27	48	Digital hall input 2
HALL3	I	28	1	Digital hall input 3
Power factor correction				
PFCG0	O	44	33	PFC gate drive 0
PFCG1	O	43	32	PFC gate drive 1 (totem pole only - high side switch)
PFCI	AIN	12	9	PFC current sensing
PFCREF	AIN	21	18	Itrip PFC reference input
PFCITRIP	AIN	22	19	Itrip PFC input
VAC1	AIN	20	17	VAC sense input line 1

Pin Configuration

Table 2 Pin list Motion Control Engine (continued)

Signal	Type	LQFP-64	LQFP-48	Description
VAC2	AIN	19	16	VAC sense input line 2
Interface				
DIR	I	52	40	Direction input
DUTYFREQ ²⁾	I	55	43	Duty/Frequency input
VSP	AIN	9	6	Analog speed reference input
PGOUT	O	42	34	Pulse output
PAR0	I	3	2	Parameter page select 0
PAR1	I	4	3	Parameter page select 1
PAR2	I	5	4	Parameter page select 2
PAR3	I	6	5	Parameter page select 3
NTC	AIN	13	10	External thermistor input
LED	O	41	35	Status LED
Communication				
RX0	I	57	45	Serial port 0, device programming, receive input
TX0	O	58	46	Serial port 0, device programming, transmit output
RX1	I	63	30	Serial port 1, user communication, receive input
TX1	O	64	31	Serial port 1, user communication, transmit output
Scripting pins				
AIN0	AIN	9	6	Analog input 0
AIN1	AIN	10	7	Analog input 1
AIN2	AIN	11	8	Analog input 2
AIN4	AIN	13	10	Analog input 4
AIN7	AIN	16	13	Analog input 7
AIN8	AIN	17	14	Analog input 8
GPIO2	IO	3	2	Digital input/output 2
GPIO3	IO	4	3	Digital input/output 3
GPIO4	IO	5	4	Digital input/output 4
GPIO5	IO	6	5	Digital input/output 5
GPIO6	IO	52	-	Digital input/output 6
GPIO7	IO	7	1	Digital input/output 7
GPIO8	IO	8	-	Digital input/output 8
GPIO9	IO	26	-	Digital input/output 9
GPIO10	IO	27	36	Digital input/output 10
GPIO11	IO	28	39	Digital input/output 11

² Function not available when used with Hall sensor mode (i.e. AHALL1+/- and AHALL2+/- or HALL1/2/3 are used)

Pin Configuration

Table 2 Pin list Motion Control Engine (continued)

Signal	Type	LQFP-64	LQFP-48	Description
GPIO12	IO	37	41	Digital input/output 12
GPIO13	IO	38	42	Digital input/output 13
GPIO14	IO	39	44	Digital input/output 14
GPIO15	IO	40	47	Digital input/output 15
GPIO18	IO	45	48	Digital input/output 18
GPIO19	IO	46		Digital input/output 19
GPIO20	IO	47		Digital input/output 20
GPIO21	IO	48		Digital input/output 21
GPIO22	IO	51		Digital input/output 22
GPIO23	IO	53		Digital input/output 23
GPIO24	IO	54		Digital input/output 24
GPIO25	IO	56		Digital input/output 25
GPIO26	IO	59		Digital input/output 26
GPIO27	IO	60		Digital input/output 27
GPIO28	IO	61		Digital input/output 28
GPIO29	IO	62		Digital input/output 29

Pin Configuration

2.4 Pin Configuration Drawing IMC102T

The following drawings give the position of the functional pins for the available packages.

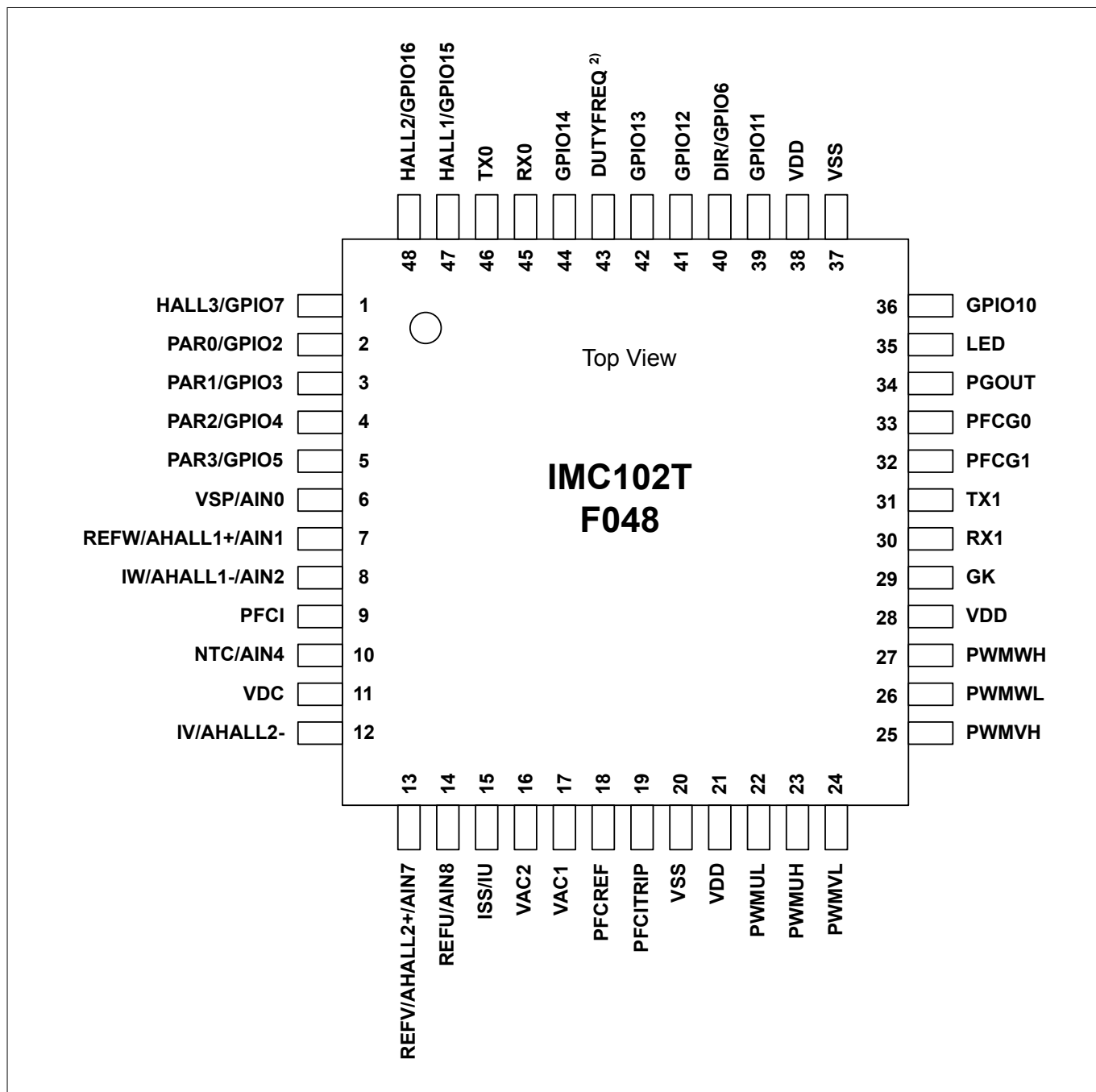


Figure 6 IMC102T-F048

Pins that do not have any signal assigned are reserved for future use. These pins should be left unconnected and neither be connected to ground nor to the positive supply.

Pin Configuration

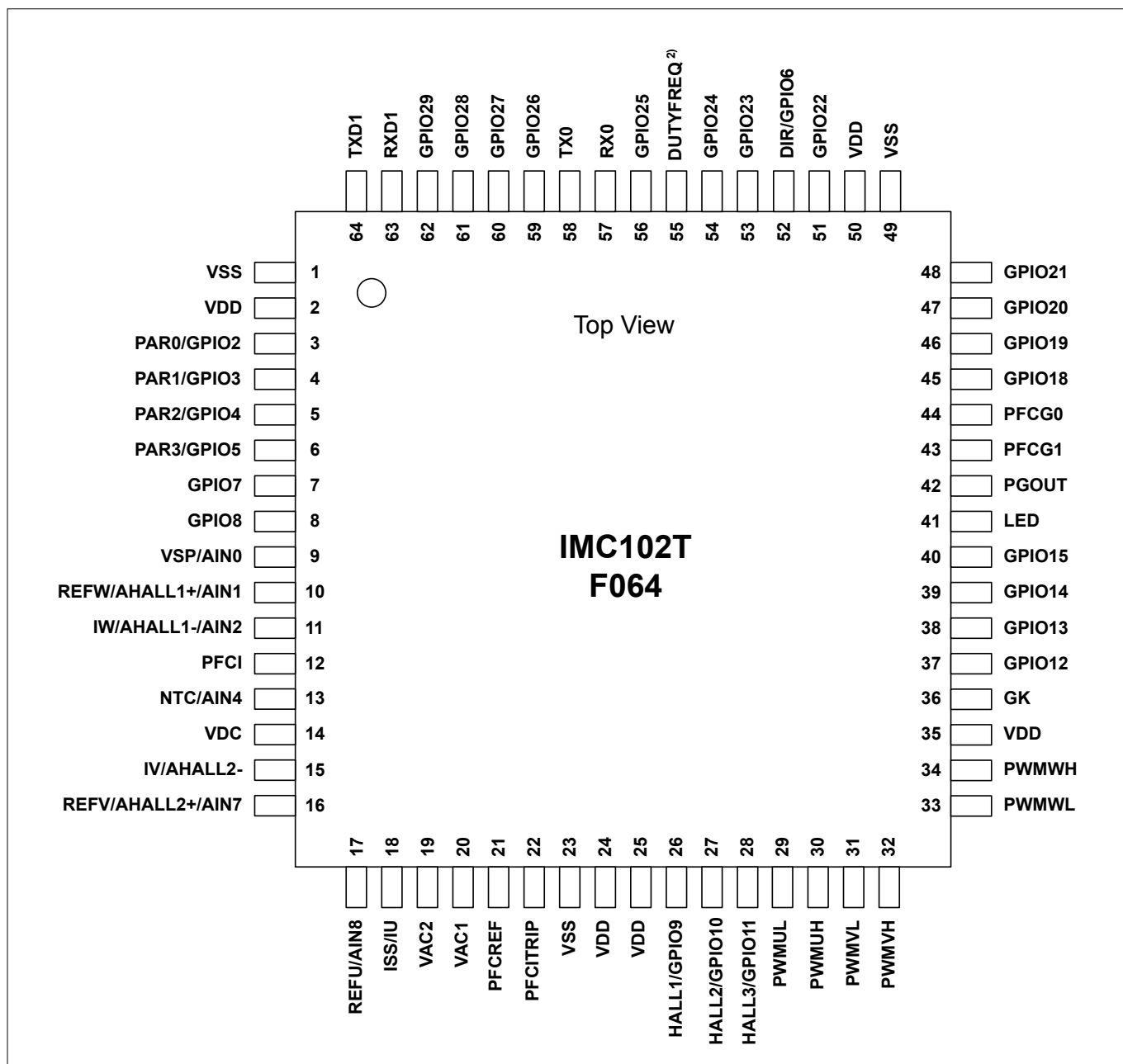


Figure 7 IMC102T-F064

Pins that do not have any signal assigned are reserved for future use. These pins should be left unconnected and neither be connected to ground nor to the positive supply.

Functional description

3 Functional description

iMOTION™ IMC100 is a series of highly integrated ICs for the control of a Permanent Magnet Synchronous Motor (PMSM). IMC101 devices provide control of a single motor while the IMC102 devices control the motor and additionally a boost or totem pole power factor correction (PFC).

The IMC100 series is based on Infineon's Motion Control Engine (MCE) and integrate all hardware and software functions required to implement a closed loop sensorless or optionally sensor based control algorithm for permanent magnet motors. IMC100 devices do not require any software programming and can be configured for a wide range of motor control inverters.

The IMC100 series takes advantage of a new hardware platform that is based on a comprehensive set of innovative analog and motor control peripherals. The high level of integration both in terms of hardware modules and software algorithms results in a minimum number of external components required for the implementation of the inverter control.

Infineon's patented and field proven Motion Control Engine (MCE) implements field oriented control (FOC) using single or leg shunt current feedback and uses space vector pulse width modulation (PWM) with sinusoidal signals to achieve highest energy efficiency. In addition to the motor control algorithm it also integrates multiple configurable protection features like over- and under-voltage, over current, rotor lock etc. to protect both the power stage as well as the motor during application tuning or in case of malfunction.

The second generation of the MCE further improves the performance of the sensorless control algorithm and adds functionality like optional sensor support for applications that require accurate rotor positioning, two types of ready-to-use PFC algorithms as well as more and flexible and faster host interface options.

The IMC100 series is offered in several device and package variants for applications from single motor control to motor control plus PFC. All devices can be used in applications requiring functional safety according to IEC 60335 ('Class B').

There are multiple versions of the MCE software offered by Infineon and made available for download from the Infineon web site.

By using a special secure boot loader algorithm in combination with type specific chip IDs it is assured that these MCE software versions can only be installed onto the matching hardware derivatives, i.e. IMC100 variants for which the software has been tested and released for. Infineon as well as third parties provides tools to program these software images. For details please refer to the iMOTION™ programming manual.

The MCE integrates a script engine providing additional flexibility. The script engine can make use of analog and digital IOs for reading sensors or driving signals. The respective IOs are given in the pin lists referencing the name in the script to the physical pin of the package.

This data sheet provides all electrical, mechanical, thermal and quality parameters. A detailed description of the features, functionality and configuration of the Motion Control Engine (MCE) including scripting can be found in the respective reference manual of the MCE.

The application schematics in the following chapters show some examples of different use cases for the IMC100 devices. The combination of the different configuration options like leg vs. single shunt, sensorless or sensed operation, boost or totem pole PFC etc. is not limited to the examples shown here but can be chosen according to the individual application requirements.

Functional description

3.1 Application schematic motor control single shunt

Figure 8 gives the schematic diagram for a motor control system using the IMC101 in sensorless operation and single shunt mode. As an option analog hall elements can be used to improve low speed performance.

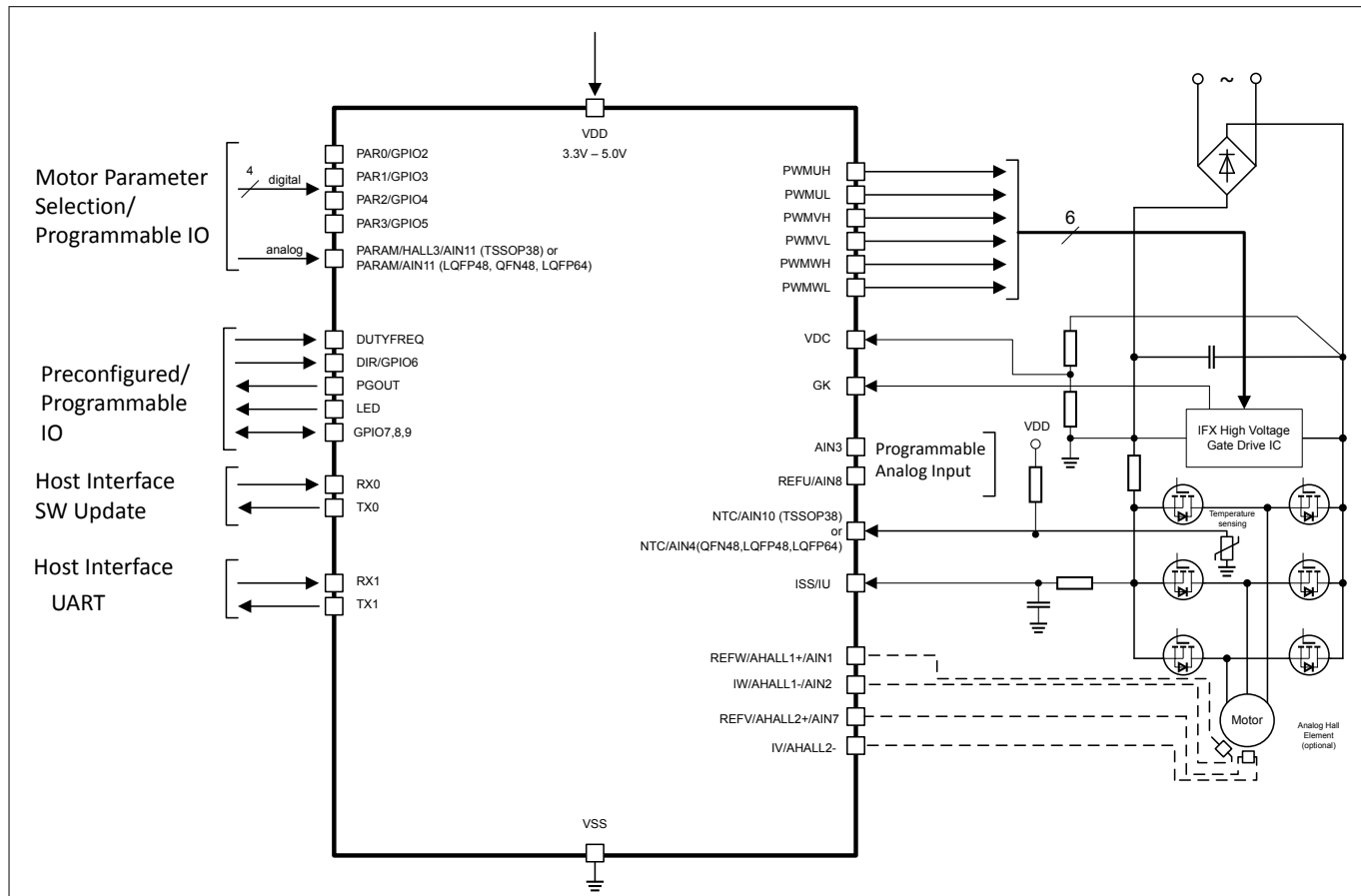


Figure 8 IMC101 in single shunt configuration

Functional description

3.2 Application schematic motor control leg shunt

Figure 9 gives the schematic diagram for a motor control system using the IMC101 in sensorless operation and leg shunt mode. An NTC can be used for temperature sensing at the power stage.

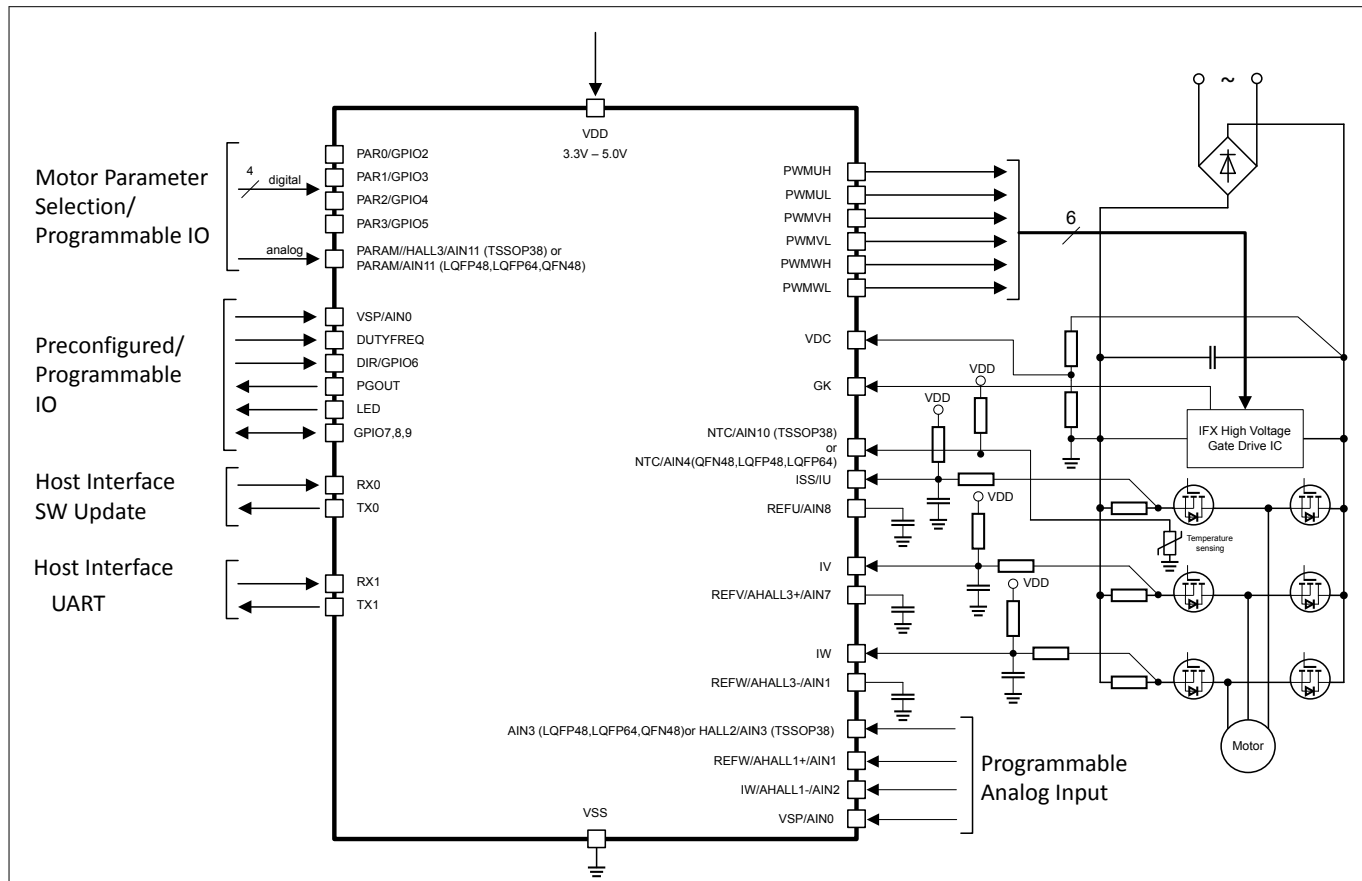


Figure 9 IMC101 in leg shunt configuration

Functional description

3.3 Application schematic motor control plus boost PFC

Figure 10 gives the schematic diagram for a motor control system with boost PFC using the IMC102 in sensorless operation and single shunt mode. An NTC can be used for temperature sensing at the power stage.

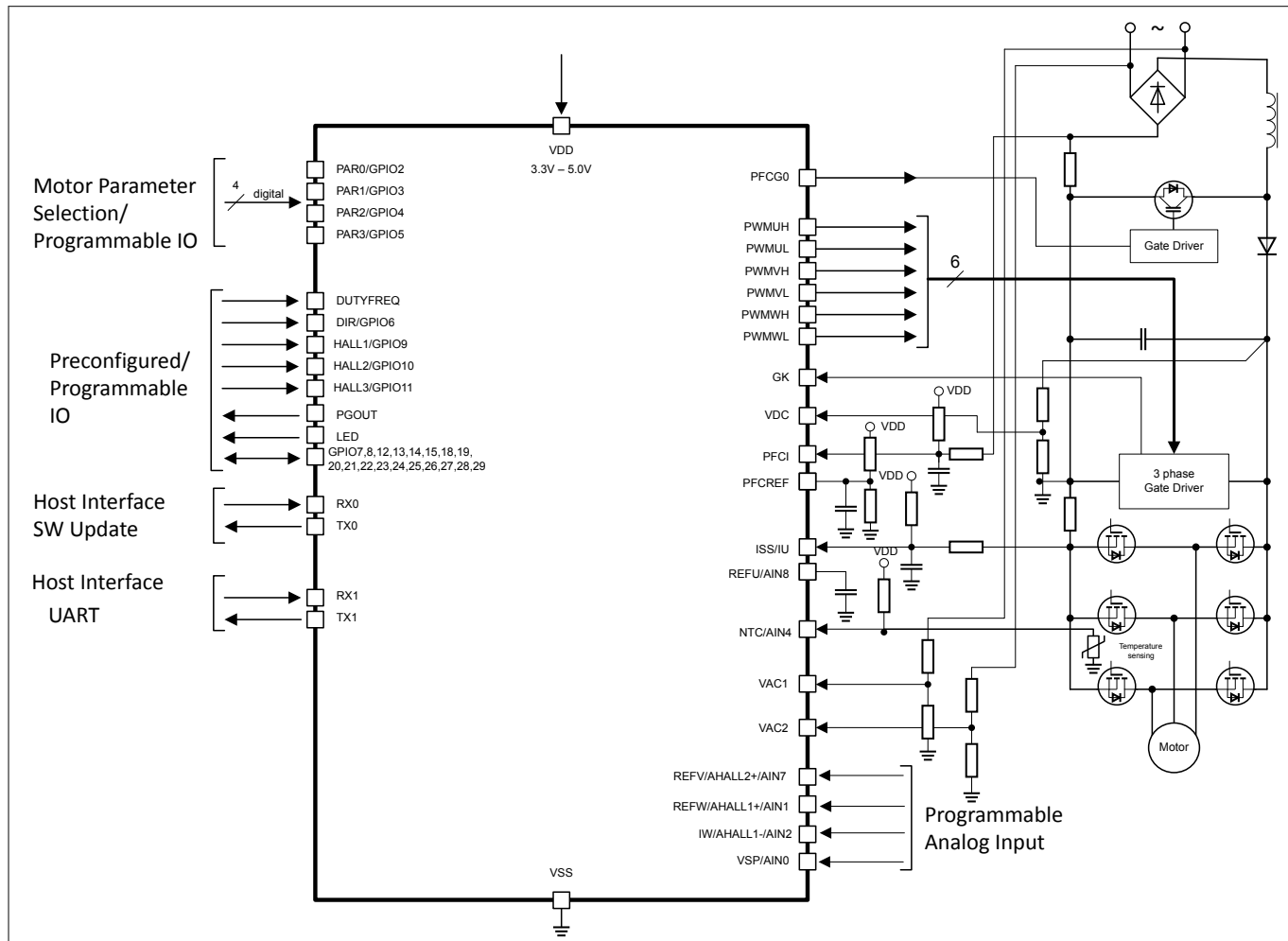


Figure 10 IMC102 in single shunt configuration with boost PFC control

Functional description

3.4 Application schematic motor control plus totem pole PFC

Figure 11 gives the schematic diagram for a motor control system with totem pole PFC using the IMC102 in sensorless operation and single shunt mode.

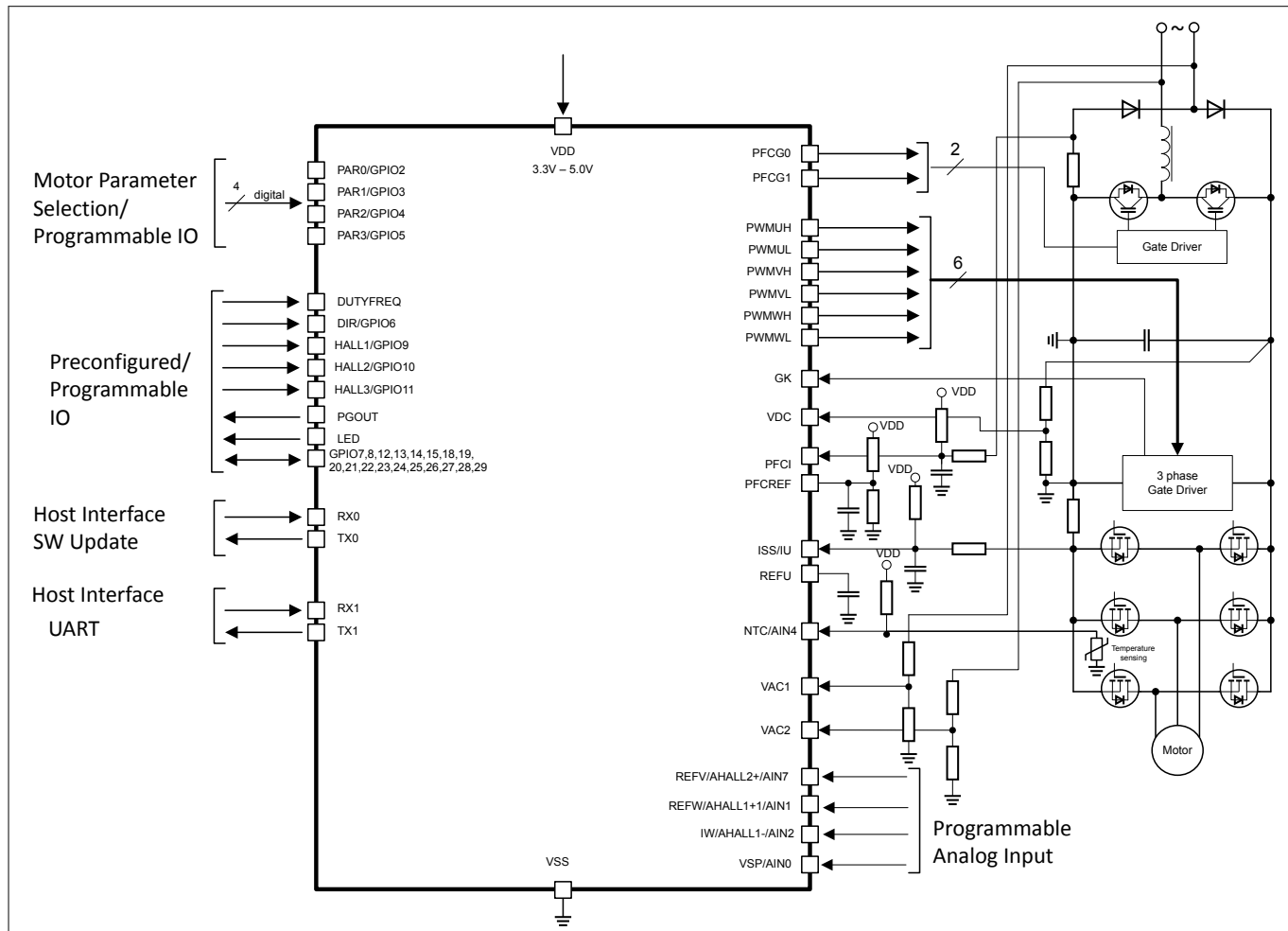


Figure 11 IMC102 in single shunt configuration with totem pole PFC

Electrical characteristics and parameters

4 Electrical characteristics and parameters

4.1 General Parameters

4.1.1 Parameter Interpretation

The parameters listed in this section represent partly the characteristics of the IMC100 and partly its requirements on the system. To aid interpreting the parameters easily when evaluating them for a design, they are indicated by the abbreviations in the “Symbol” column:

- **CC**
 Such parameters indicate **C**ontroller **C**haracteristics, which are distinctive feature of the IMC100 and must be regarded for a system design.
- **SR**
 Such parameters indicate **S**ystem **R**equirements, which must be provided by the application system in which the IMC100 is designed in.

4.1.2 Absolute Maximum Ratings

Stresses above the values listed under “Absolute Maximum Ratings” may cause permanent damage to the device. This is a stress rating only and functional operation of the device at these or any other conditions above those indicated in the operational sections of this specification is not implied. Exposure to absolute maximum rating conditions may affect device reliability.

Table 3 Absolute Maximum Rating Parameters

Parameter	Symbol	Values			Unit	Note or Test Condition
		Min.	Typ.	Max.		
Ambient temperature	T_A SR	-40	-	105	°C	-
Junction temperature	T_J SR	-40	-	115	°C	-
Storage temperature	T_{ST} SR	-55	-	125	°C	-
Voltage on power supply pin with respect to V_{SS}	V_{DD} SR	-0.3	-	6	V	-
Voltage on pins with respect to V_{SS}	V_{IN} SR	-0.3	-	$V_{DD} + 0.3$	V	-
Input current on any pin during overload condition	I_{IN} SR	-10	-	10	mA	-
Absolute maximum sum of all input currents during overload condition	$\sum I_{IN}$ SR	-50	-	+50	mA	-

Electrical characteristics and parameters

4.1.3 Pin Reliability in Overload

When receiving signals from higher voltage devices, low-voltage devices experience overload currents and voltages that go beyond their own IO power supplies specification.

Table 4 defines overload conditions that will not cause any negative reliability impact if all the following conditions are met:

- full operation life-time is not exceeded
- **Operating Conditions** are met for
 - pad supply levels (V_{DD})
 - temperature

If a pin current is outside of the **Operating Conditions** but within the overload conditions, then the parameters of this pin as stated in the Operating Conditions can no longer be guaranteed. Operation is still possible in most cases but with relaxed parameters.

Note: An overload condition on one or more pins does not require a reset.

Note: A series resistor at the pin to limit the current to the maximum permitted overload current is sufficient to handle failure situations like short to battery.

Table 4 Overload Parameters

Parameter	Symbol	Values			Unit	Note or Test Condition
		Min.	Typ.	Max.		
Input current on analog port pins during overload condition	I_{OVA} SR	-3	-	3	mA	
Input current on any port pin during overload condition	I_{OV} SR	-5	-	5	mA	
Absolute sum of all input currents during overload condition	I_{OVS} SR	-	-	25	mA	

Figure 12 shows the path of the input currents during overload via the ESD protection structures. The diodes against V_{DD} and ground are a simplified representation of these ESD protection structures.

Electrical characteristics and parameters

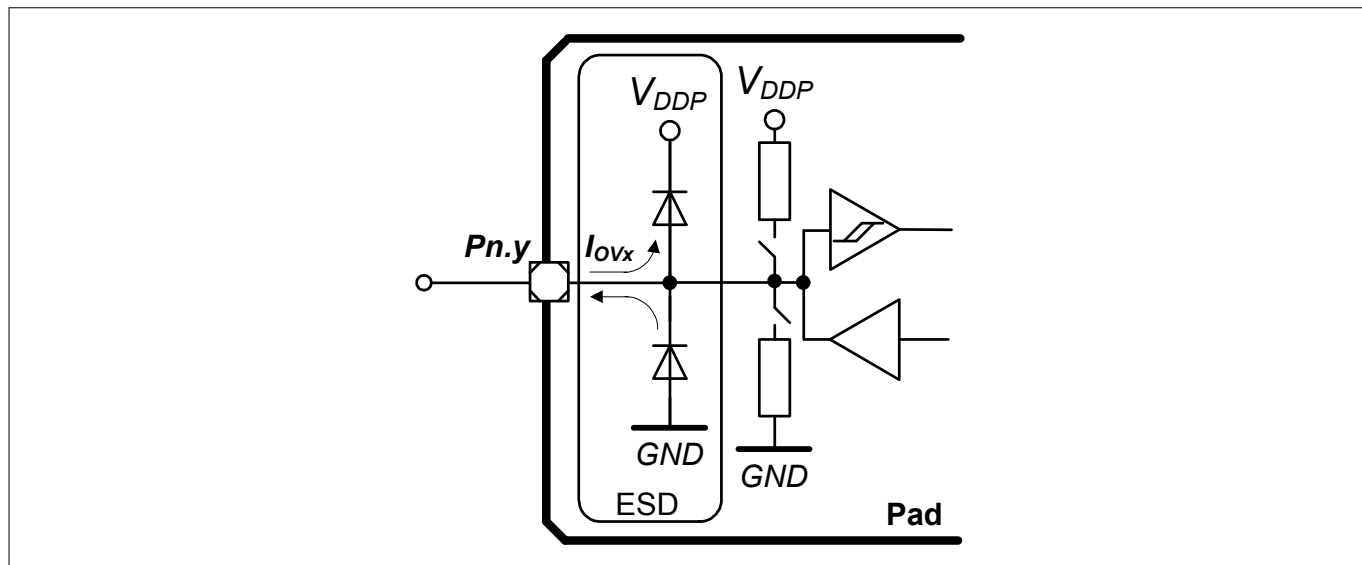


Figure 12 Input Overload Current via ESD structures

[Table 5](#) and [Table 6](#) list input voltages that can be reached under overload conditions. Note that the absolute maximum input voltages as defined in the [Absolute Maximum Ratings](#) must not be exceeded during overload.

Table 5 PN-Junction Characteristics for positive Overload

Pad Type	$I_{OV} = 5 \text{ mA}$
Standard, High-current, AN/DIG_IN	$V_{IN} = V_{DD} + (0.3 \dots 0.5) \text{ V}$ $V_{AIN} = V_{DD} + 0.5 \text{ V}$ $V_{AREF} = V_{DD} + 0.5 \text{ V}$

Table 6 PN-Junction Characteristics for negative Overload

Pad Type	$I_{OV} = 5 \text{ mA}$
Standard, High-current, AN/DIG_IN	$V_{IN} = V_{SS} - (0.3 \dots 0.5) \text{ V}$ $V_{AIN} = V_{SS} - 0.5 \text{ V}$ $V_{AREF} = V_{SS} - 0.5 \text{ V}$

Electrical characteristics and parameters

4.1.4 Operating Conditions

The following operating conditions must not be exceeded in order to ensure correct operation and reliability of the IMC100. All parameters specified in the following tables refer to these operating conditions, unless noted otherwise.

Table 7 Recommended Operating Conditions

Parameter	Symbol	Values			Unit	Note or Test Condition
		Min.	Typ.	Max.		
Ambient Temperature	T_A SR	-40	-	105	°C	
Junction temperature	T_J SR	-40	-	115	°C	
Positive DC Bus Input Voltage	V_{DCP} SR	12	-	400	V	
Gate Driver High Side Floating Supply Voltage	$V_{B1,2,3}$ SR	$V_S + 5$	-	$V_S + 18$	V	
Gate Driver Low Side Supply Voltage	V_{CC} SR	12	-	16.5		
Digital supply voltage ³⁾	V_{DD} SR	3.0	3.3	5.5	V	Internal voltage regulator disabled
Voltage regulator input voltage	V_{CC1} SR	5.5	-	40	V	
Pulse width for gate driver ON or OFF	T_a SR	1	-	-	μs	

³ See also the Supply Monitoring thresholds [Power-Up and Supply Threshold Characteristics](#) .

Electrical characteristics and parameters

4.2 DC Parameters

4.2.1 Input/Output Characteristics

The table below provides the characteristics of the input/output pins of the controller.

Note: These parameters are not subject to production test, but verified by design and/or characterization.

Note: Unless otherwise stated, input DC and AC characteristics, including peripheral timings, assume that the input pads operate with the standard hysteresis.

Table 8 Input/Output Characteristics (Operating Conditions apply)

Parameter	Symbol		Limit Values		Unit	Test Conditions
			Min.	Max.		
Input low voltage on port pins (Standard Hysteresis)	V_{ILPS}	SR	–	$0.19 \times V_{DD}$	V	CMOS Mode
Input high voltage on port pins (Standard Hysteresis)	V_{IHPS}	SR	$0.7 \times V_{DD}$	–	V	CMOS Mode
Input low voltage on port pins (Large Hysteresis, scripting pins only)	V_{ILPL}	SR	–	$0.08 \times V_{DD}$	V	CMOS Mode
Input high voltage on port pins (Large Hysteresis, scripting pins only)	V_{IHPL}	SR	$0.85 \times V_{DD}$	–	V	CMOS Mode
Output low voltage on port pins	V_{OLP}	CC	–	1.0	V	$I_{OL} = 11 \text{ mA (5 V)}$ $I_{OL} = 7 \text{ mA (3.3 V)}$
			–	0.4	V	$I_{OL} = 5 \text{ mA (5 V)}$ $I_{OL} = 3.5 \text{ mA (3.3 V)}$
Output low voltage on PWM outputs	V_{OLP1}	CC	–	1.0	V	$I_{OL} = 50 \text{ mA (5 V)}$ $I_{OL} = 25 \text{ mA (3.3 V)}$
			–	0.32	V	$I_{OL} = 10 \text{ mA (5 V)}$
			–	0.4	V	$I_{OL} = 5 \text{ mA (3.3 V)}$
Output high voltage on port pins	V_{OHP}	CC	$V_{DD} - 1.0$	–	V	$I_{OH} = -10 \text{ mA (5 V)}$ $I_{OH} = -7 \text{ mA (3.3 V)}$
			$V_{DD} - 0.4$	–	V	$I_{OH} = -4.5 \text{ mA (5 V)}$ $I_{OH} = -2.5 \text{ mA (3.3 V)}$
Output high voltage on PWM outputs	V_{OHP1}	CC	$V_{DD} - 0.32$	–	V	$I_{OH} = -6 \text{ mA (5 V)}$
			$V_{DD} - 1.0$	–	V	$I_{OH} = -8 \text{ mA (3.3 V)}$
			$V_{DD} - 0.4$	–	V	$I_{OH} = -4 \text{ mA (3.3 V)}$

Electrical characteristics and parameters

Table 8 Input/Output Characteristics (Operating Conditions apply) (continued)

Parameter	Symbol		Limit Values		Unit	Test Conditions
			Min.	Max.		
Rise/fall time on PWM outputs ⁴⁾	t_{HCPR}	CC	-	9	ns	50 pF @ 5 V
	t_{HCPF}		-	12	ns	50 pF @ 3.3 V
Rise/fall time on standard pad	t_R, t_F	CC	-	12	ns	50 pF @ 5 V
			-	15	ns	50 pF @ 3.3 V.
Pin capacitance (digital inputs/outputs)	C_{IO}	CC	-	10	pF	
Pull-up/-down resistor on port pins (if enabled in software)	R_{PUP}	CC	20	50	k Ω	$V_{IN} = V_{SS}$
Input leakage current ⁵⁾	I_{OZP}	CC	-1	1	μ A	$0 < V_{IN} < V_{DD}$, T_A 105°C
Maximum current per pin standard pin	I_{MP}	SR	-10	11	mA	-
Maximum current per PWM outputs pins	I_{MP1A}	SR	-10	50	mA	-
Maximum current into V_{DD} / out of V_{SS}	$I_{MVDD} /$ I_{MVSS}	SR	-	260	mA	

⁴ Rise/Fall time parameters are taken with 10% - 90% of supply.

⁵ An additional error current (I_{INJ}) will flow if an overload current flows through an adjacent pin.

Electrical characteristics and parameters

4.2.2 Analog to Digital Converter (ADC)

The following table shows the Analog to Digital Converter (ADC) characteristics. This specification applies to all analog input including the analog Hall sensor interface input (AHALLx+/AHALLx-, where x=1,2) as given in the pin configuration list.

Note: These parameters are not subject to production test, but verified by design and/or characterization.

Table 9 ADC Characteristics (Operating Conditions apply)⁶⁾

Parameter	Symbol	Values			Unit	Note or Test Condition
		Min.	Typ.	Max.		
Supply voltage range	V_{DD} SR	3.0	–	5.5	V	
Analog input voltage range	V_{AIN} SR	$V_{SS}-0.05$	–	$V_{DD}+0.05$	V	
Conversion time	t_{C12} CC	–	1.0	1.6	μs	
Total capacitance of an analog input	C_{AINT} CC	–	–	10	pF	
Total capacitance of the reference input	C_{AREFT} CC	–	–	10	pF	
Sample time	t_{sample} CC	–	200	–	ns	
RMS noise	EN_{RMS} CC	–	1.5	–	LSB12	
DNL error	EA_{DNL} CC	–	±2.0	–	LSB12	
INL error	EA_{INL} CC	–	±4.0	–	LSB12	
Gain error	EA_{GAIN} CC	–	±0.5	–	%	$V_{DD} = 3.3V$
Offset error	EA_{OFF} CC	–	±8.0	–	mV	

⁶⁾ All parameters are defined for the full supply range if not stated otherwise.

Electrical characteristics and parameters

4.2.3 Power Supply Current

The total power supply current defined below consists of a leakage and a switching component. Application relevant values are typically lower than those given in the following tables, and depend on the customer's system operating conditions (e.g. thermal connection or used application configurations).

Note: These parameters are not subject to production test, but verified by design and/or characterization.

Table 10 Power Supply parameter table; $V_{DDP} = 5V$

Parameter	Symbol	Values			Unit	Note or Test Condition
		Min.	Typ.	Max.		
Active mode current motor control only	I_{DDPWM} CC	–	10	20	mA	
Active mode current motor control plus PFC	I_{DDPFC} CC	–	14	20	mA	product with PFC only
Deep Sleep mode current ⁷⁾	I_{DDPDS} CC	–	0.27	–	mA	
Wake-up time from Sleep to Active mode	t_{SSA} CC	–	6	–	cycles	
Wake-up time from Deep Sleep to Active mode	t_{DSA} CC	–	290	–	μsec	

4.2.4 Flash Memory Parameters

Note: These parameters are not subject to production test, but verified by design and/or characterization.

Table 11 Flash Memory Parameters

Parameter	Symbol	Values			Unit	Note or Test Condition
		Min.	Typ.	Max.		
Data Retention Time	t_{RET} CC	10			years	Max. 100 erase / program cycles
Erase Cycles ⁸⁾	N_{ECCYC} CC			$5 \cdot 10^4$	cycles	Sum of page and sector erase cycles
Total Erase Cycles	N_{TECCYC} CC			$2 \cdot 10^6$	cycles	

⁷ CPU in sleep, peripherals clock disabled, Flash is powered down and code executed from RAM after wake-up.

⁸ Sum of page erase and sector erase cycles a page sees.

Electrical characteristics and parameters

4.3 AC Parameters

4.3.1 Testing Waveforms

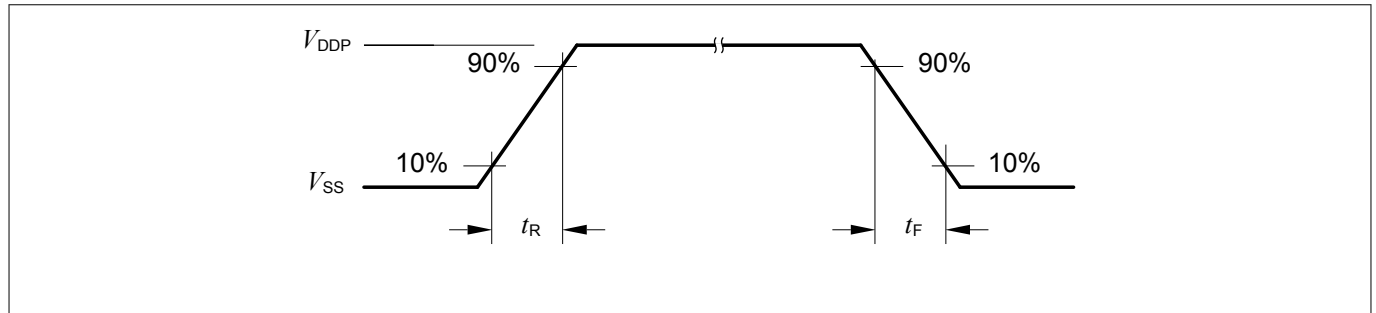


Figure 13 Rise/Fall Time Parameters

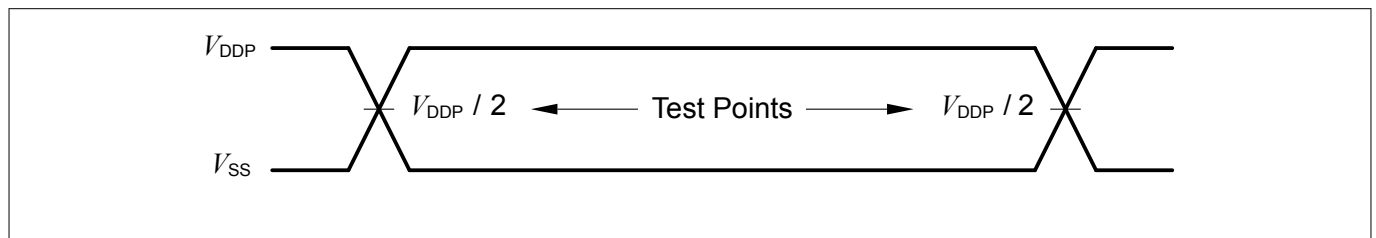


Figure 14 Testing Waveform, Output Delay

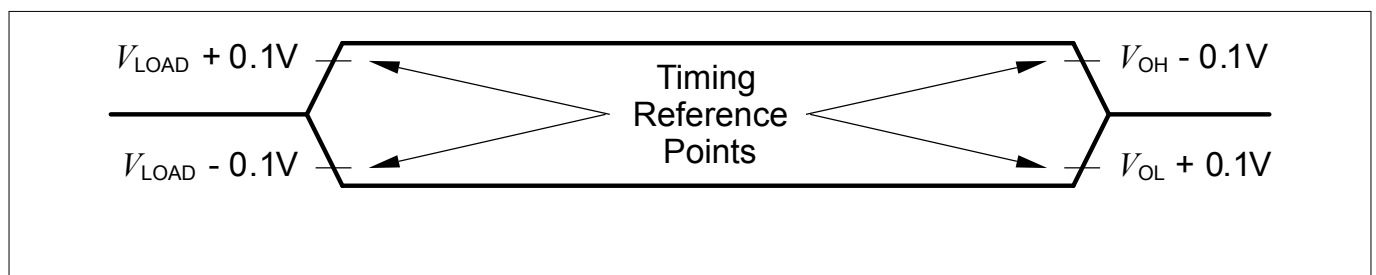


Figure 15 Testing Waveform, Output High Impedance

Electrical characteristics and parameters

4.3.2 Power-Up and Supply Threshold Characteristics

This chapter provides the characteristics of the supply threshold for the controller.

The guard band between the lowest valid operating voltage and the brownout reset threshold provides a margin for noise immunity and hysteresis. The electrical parameters may be violated while V_{DD} is outside its operating range.

The brownout detection triggers a reset within the defined range. The prewarning detection can be used to trigger an early warning and issue corrective and/or fail-safe actions in case of a critical supply voltage drop.

Note: These parameters are not subject to production test, but verified by design and/or characterization.

Note: Operating Conditions apply.

Table 12 Power-Up and Supply Threshold Parameters

Parameter	Symbol	Values			Unit	Note or Test Condition
		Min.	Typ.	Max.		
V_{DD} ramp-up time	t_{RAMPUP} SR	$V_{DD}/S_{VDDrise}$	–	10^7	μs	
V_{DD} slew rate	S_{VDDOP} SR	0	–	0.1	V/ μs	Slope during normal operation
	S_{VDD10} SR	0	–	10	V/ μs	Slope during fast transient within +/-10% of V_{DD}
	$S_{VDDrise}$ SR	0	–	10	V/ μs	Slope during power-on or restart after brownout event
	$S_{VDDfall}^{9)}$ SR	0	–	0.25	V/ μs	Slope during supply falling out of the +/-10% limits ¹⁰⁾
V_{DD} prewarning voltage	V_{DDPW} CC	2.1	2.25	2.4	V	ANAVDEL.VDEL_SELECT = 00 _B
		2.85	3	3.15	V	ANAVDEL.VDEL_SELECT = 01 _B
		4.2	4.4	4.6	V	ANAVDEL.VDEL_SELECT = 10 _B
V_{DD} brownout reset voltage	V_{DDBO} CC	1.55	1.62	1.75	V	calibrated, before user code starts running
V_{DD} voltage to ensure defined pad states	V_{DDA} CC	–	1.0	–	V	

⁹ A capacitor of at least 100 nF has to be added between VDD and VSS to fulfill the requirement as stated for this parameter.

¹⁰ Valid for a 100 nF buffer capacitor connected to supply pin where current from capacitor is forwarded only to the chip. A larger capacitor value has to be chosen if the power source sink a current.

Electrical characteristics and parameters

Table 12 Power-Up and Supply Threshold Parameters (continued)

Parameter	Symbol	Values			Unit	Note or Test Condition
		Min.	Typ.	Max.		
Start-up time from power-on reset	t_{SSW} CC	-	260	-	μ s	Time to the first user code instruction ¹¹⁾
Start-up time to PWM on	t_{PWMON} CC	5.2	-	360	ms	Time to PWM enabled

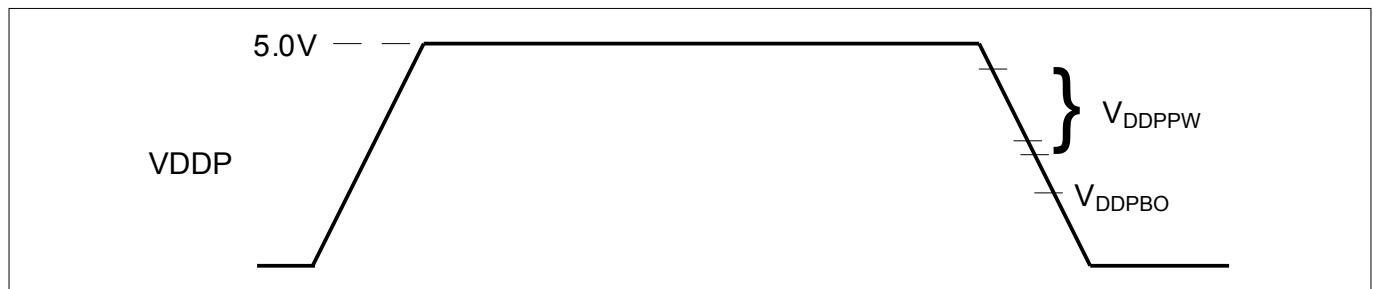


Figure 16 Supply Threshold Parameters

¹¹ This values does not include the ramp-up time. During startup firmware execution, MCLK is running at 48 MHz and the clocks to peripheral as specified in register CGATSTAT0 are gated.

Electrical characteristics and parameters

4.3.3 On-Chip Oscillator Characteristics

Table 13 provides the characteristics of the 96 MHz digital controlled oscillator DCO1. The DCO1 is used as the time base during normal operation.

Note: These parameters are not subject to production test, but verified by design and/or characterization.

Table 13 96 MHz DCO1 Characteristics

Parameter	Symbol	Limit Values			Unit	Test Conditions
		Min.	Typ.	Max.		
Nominal frequency	$f_{NOM\ CC}$	-	96	-	MHz	under nominal conditions after trimming
Accuracy with adjustment based on XTAL as reference	$\Delta f_{LTX\ CC}$	-0.3	-	+0.3	%	with respect to $f_{NOM}(typ)$, T_A from -40 °C to 105 °C
Accuracy with adjustment algorithm ¹²⁾ based on temperature sensor	$\Delta f_{LTS\ CC}$	-0.6	-	+0.6	%	with respect to $f_{NOM}(typ)$, T_A from 0 °C to 105 °C
		-1.9	-	+1.0	%	with respect to $f_{NOM}(typ)$, T_A from -25 °C to 105 °C
		-2.6	-	+1.3	%	with respect to $f_{NOM}(typ)$, T_A from -40 °C to 105 °C
Accuracy	$\Delta f_{LT\ CC}$	-1.7	-	+3.4	%	with respect to $f_{NOM}(typ)$, T_A from 0 °C to 85 °C
		-3.9	-	+4.0	%	with respect to $f_{NOM}(typ)$, T_A from -40 °C to 105 °C

Table 14 provides the characteristics of the 32 kHz digital controlled oscillator DCO2. The DCO2 is only used internally as a secondary clock source for the internal watchdog and as a fallback in case of failure of DCO1.

Table 14 32 kHz DCO2 Characteristics

Parameter	Symbol	Limit Values			Unit	Test Conditions
		Min.	Typ.	Max.		
Nominal frequency	$f_{NOM\ CC}$	32.5	32.75	33	kHz	under nominal conditions ¹³⁾ after trimming

¹² MCE version newer or equal to V1.03.00, clock adjustment algorithm for improved accuracy enabled

¹³ The deviation is relative to the factory trimmed frequency at nominal V_{DDC} and $T_A = + 25^\circ\text{C}$.

Electrical characteristics and parameters

Table 14 **32 kHz DCO2 Characteristics (continued)**

Parameter	Symbol	Limit Values			Unit	Test Conditions
		Min.	Typ.	Max.		
Short term frequency deviation (over V_{DDC})	$\Delta f_{ST\ CC}$	-1	-	+1	%	with respect to $f_{NOM}(typ)$, at 25°C
Accuracy	$\Delta f_{LT\ CC}$	-1.7	-	+3.4	%	with respect to $f_{NOM}(typ)$, T_A from 0 °C to 85 °C
		-3.9	-	+4.0	%	with respect to $f_{NOM}(typ)$, T_A from -40° C to 105 °C

Electrical characteristics and parameters

4.4 Motor Control Parameters

The following parameters are defined in the iMOTION™ Motion Control Engine (MCE) software.

4.4.1 PWM Characteristics

Table 15 Electrical characteristics

Parameter	Symbol	Values			Unit	Note or test condition
		Min.	Typ.	Max.		
Motor PWM Frequency	f_{PWM}	5	16	40	kHz	

4.4.2 Current Sensing

Table 16 Motor Current Sensing

Parameter	Symbol	Values			Unit	Note or test condition
		Min.	Typ.	Max.		
Input range	I_{PWM}	$V_{SS}-0.05$	-	$V_{DD}+0.05$	V	
Configurable analog gain		-	1/ 3/ 6/ 12	-		
Itrip input range	$I_{PWMTRIP}$	$V_{SS}-0.05$	-	$V_{DD}+0.05$	V	
Itrip offset		-	± 8	-	mV	
Input capacitance	C_{REF}	-	-	10	pF	REFU, REFV, REFW capacitor

Electrical characteristics and parameters

4.4.3 Fault Timing

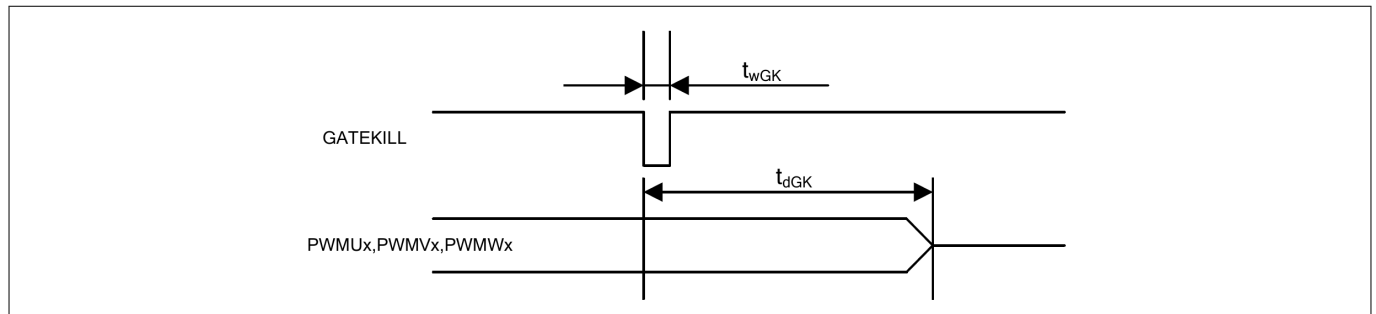


Figure 17 Fault timing

Table 17 Gatekill timing

Parameter	Symbol	Values			Unit	Note or test condition
		Min.	Typ.	Max.		
GK pulse width	t_{wGK}	1	-	-	μs	
GK input to PWM shutoff	t_{GK}	-	1.3	-	μs	
Motor Fault reset timing	t_{RESET}	-	1.84	-	ms	fault reset command via UART to PWM reactivation
Itrip to PWM shutoff	t_{PWMOFF}	-	1.0	-	μs	single shunt
Itrip to PWM shutoff	t_{PWMOFF}	-	1.0	-	μs	leg shunt

Electrical characteristics and parameters

4.5 Power Factor Correction (PFC) parameters

The parameters specified for the power factor correction only refer to products with integrated PFC control algorithms.

4.5.1 Boost PFC characteristics

Table 18 Electrical characteristics

Parameter	Symbol	Values			Unit	Note or test condition
		Min.	Typ.	Max.		
PFC frequency	f_{PFC}	-	20	50	kHz	Motor PWM frequency within specified range

4.5.2 Totem Pole PFC characteristics

Table 19 Electrical characteristics

Parameter	Symbol	Values			Unit	Note or test condition
		Min.	Typ.	Max.		
PFC frequency	f_{PFC}	-	20	50	kHz	Motor PWM frequency within specified range

4.5.3 PFC Current Sensing

The current sensing specification applies to both PFC algorithms, boost mode and totem pole.

Table 20 PFC Current Sensing

Parameter	Symbol	Values			Unit	Note or test condition
		Min.	Typ.	Max.		
Input range	I_{PFC}	$V_{SS} - 0.05$	-	$V_{DD} + 0.05$	V	$V_{DD} = 3.3$ or 5.0 V
Configurable analog gain		-	1/ 3/ 6/ 12	-		
PFC Itrip input range	$I_{PFCTRIP}$	$V_{SS} - 0.05$	-	$V_{DD} + 0.05$	V	$V_{DD} = 3.3$ or 5.0 V
Itrip offset		-	± 3	-	mV	Input voltage difference > 200mV
Input capacitance	C_{REF}	-	-	10	pF	PFCREF capacitor

Electrical characteristics and parameters

4.5.4 PFC Fault Timing

Table 21 PFC Fault timing

Parameter	Symbol	Values			Unit	Note or test condition
		Min.	Typ.	Max.		
Itrip to PFC PWM shutoff	t _{PFCOFF}	-	1.18	-	μs	
PFC fault reset timing	t _{RESET}	-	1.0	-	ms	fault reset command via UART to PWM reactivation

Electrical characteristics and parameters

4.6 Control Interface Parameters

The following tables specify the interfaces that can be used to control the motor drive in the application.

4.6.1 Serial Interface Parameters

The IMC100 series provides the following communication interfaces.

Note: These parameters are not subject to production test, but verified by design and/or characterization.

4.6.1.1 UART Interface

The UART interface is configured as given below.

Note: Operating Conditions apply.

Table 22 Electrical characteristics

Parameter	Symbol	Values			Unit	Note or test condition
		Min.	Typ.	Max.		
UART baud rate		1200	57600	-	Bps	
UART mode		-	8-N-1	-		data-parity-stop bit
UART sampling filter period ¹⁴⁾	$T_{UARTFIL}$	-	1/16	-	T_{BAUD}	

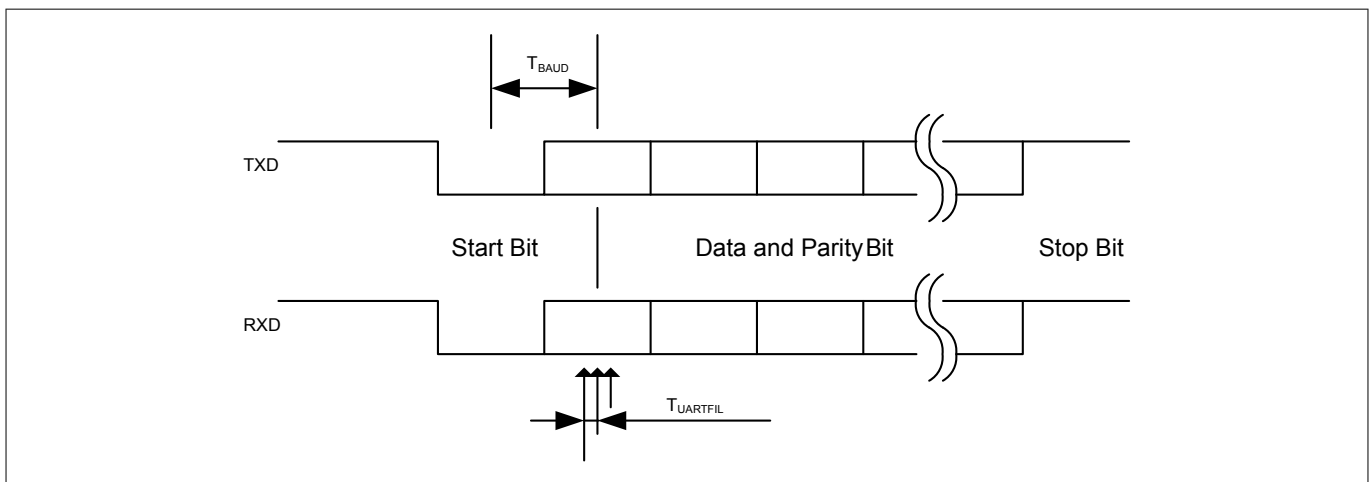


Figure 18 UART timing

¹⁴⁾ Each bit including start and stop bit is sampled three times at center of a bit at an interval of $1/16 T_{BAUD}$. If three sampled values do not agree, then UART noise error is generated.

Electrical characteristics and parameters

4.6.2 Analog Speed Input

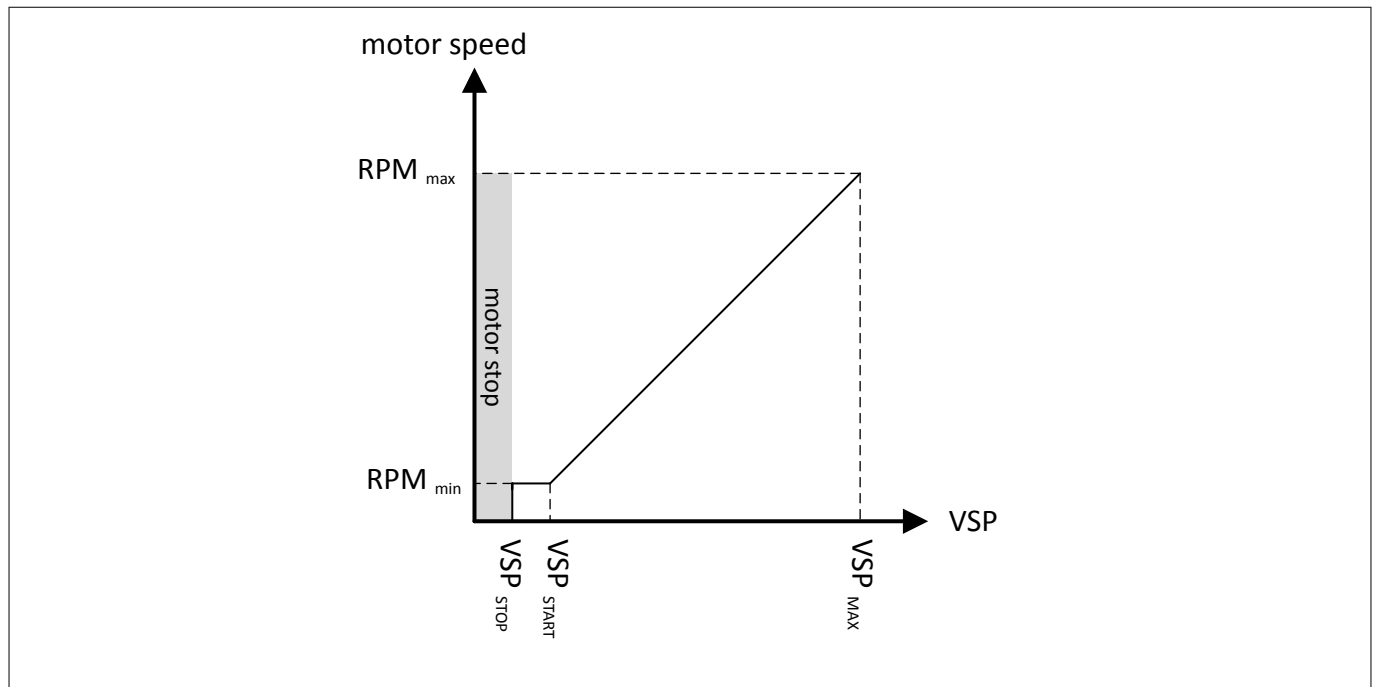


Figure 19 VSP analog control mode

Table 23 Analog Speed Control Voltage (VSP)

Parameter	Symbol	Values			Unit	Note or test condition
		Min.	Typ.	Max.		
Motor start voltage	VSP_{START}	-	1.2	-	V	Configured $VSP_{START}=1.0V$
Motor stop voltage	VSP_{STOP}	-	1.0	-	V	Configured $VSP_{STOP}=1.0V$
Motor max voltage	VSP_{MAX}	-	4.9	4.95	V	$V_{DD}=5.0V$
VSP active to PWM start	t_{START}	-	44	-	ms	
VSP inactive to PWM stop	t_{STOP}	-	16	-	ms	

Electrical characteristics and parameters

4.6.3 Frequency Input

In frequency input control mode, the motor operations like motor start, motor stop and speed change are controlled by applying a square wave frequency signal on a digital input pin.

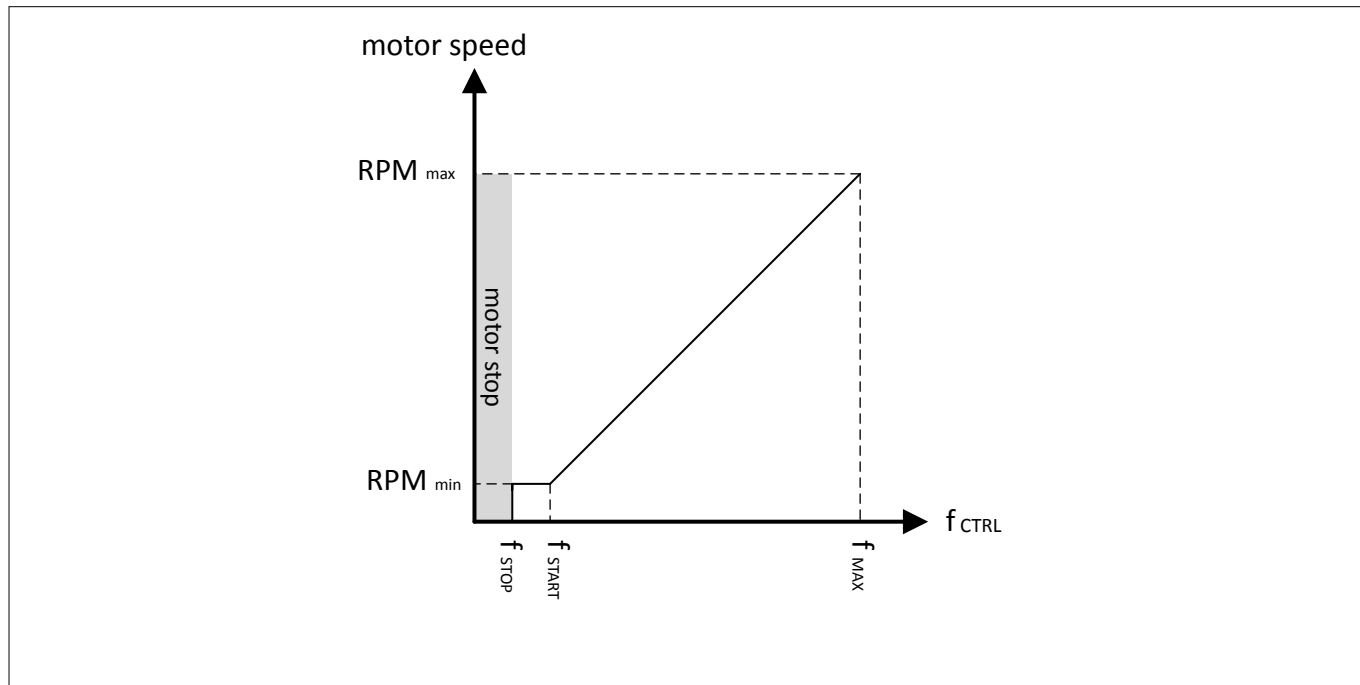


Figure 20 Frequency input control mode

Table 24 Frequency Control Mode

Parameter	Symbol	Values			Unit	Note or test condition
		Min.	Typ.	Max.		
Motor start frequency	f_{START}	-	100	360	Hz	$f_{START} > f_{STOP}$
Motor stop frequency	f_{STOP}	-	50	-	Hz	
Motor max speed frequency	f_{MAX}	-	-	1000	Hz	
Frequency input duty cycle	T_{DUTY}	10	-	90	%	

Electrical characteristics and parameters

4.6.4 Duty Cycle Input

In duty cycle input control mode, the motor operations like motor start, stop and speed change are controlled by varying the duty cycle of a rectangular wave signal on a digital input pin.

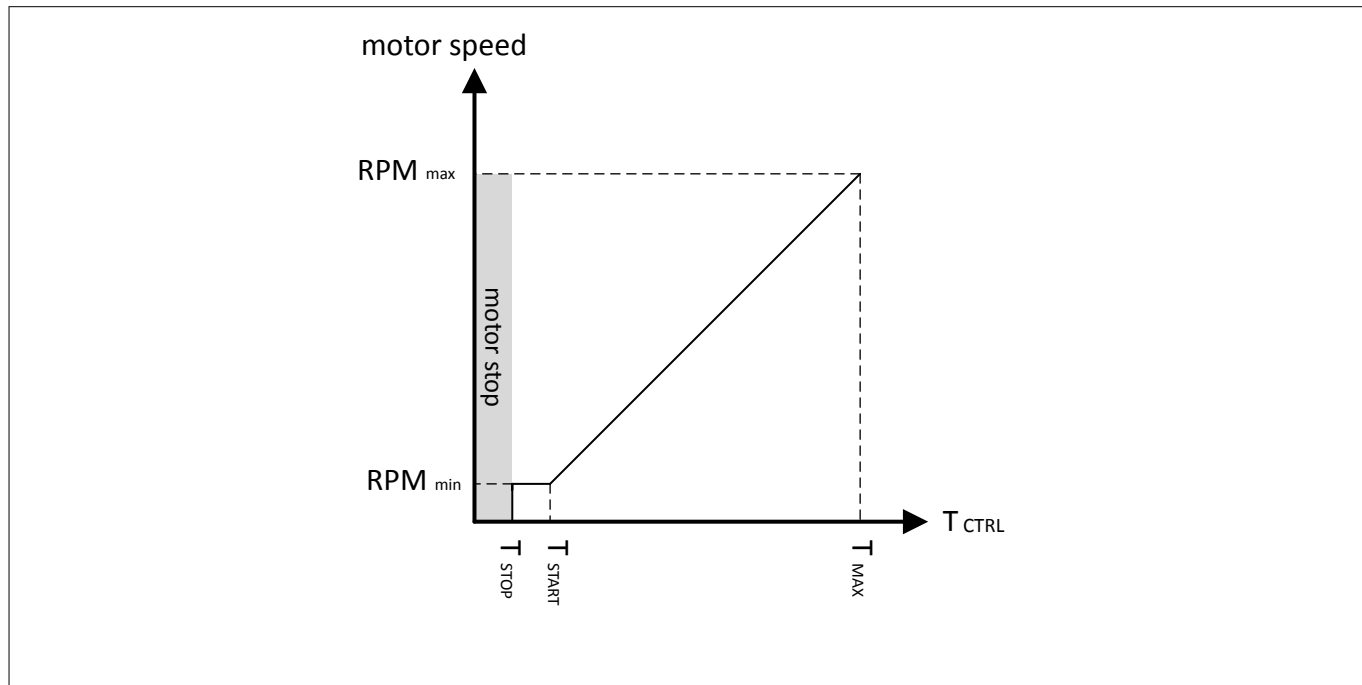


Figure 21 Duty cycle input control mode

Table 25 Duty Cycle Control Mode

Parameter	Symbol	Values			Unit	Note or test condition
		Min.	Typ.	Max.		
Input signal frequency	f_{DUTY}	5	1000	20000	Hz	
Motor start duty cycle	T_{START}	-	10	-	%	$T_{START} > T_{STOP}$
Motor stop duty cycle	T_{STOP}	-	5	-	%	
Motor max duty cycle	T_{MAX}	-	95	-	%	

Electrical characteristics and parameters

4.6.5 Over Temperature Input

The over temperature input can be used to continuously monitor an external temperature sensor like an NTC.

Table 26 Over Temperature Input

Parameter	Symbol	Values			Unit	Note or test condition
		Min.	Typ.	Max.		
Over Temperature Input Threshold	V_{OT}	0.1	1.0	3.0	V	$V_{DD}=3.3V$, Configurable parameter e.g. via MCEDesigner, default=1.0V
Over Temperature to PWM shutdown	t_{OT}		1.0	2.1	ms	

4.6.6 Pulse Output

The IMC100 series can generate a square wave pulse output in sync with the motor rotation which can be used to monitor the motor speed. The number of pulses to be generated for a full rotation can be configured.

Table 27 Pulse Output

Parameter	Symbol	Values			Unit	Note or test condition
		Min.	Typ.	Max.		
Pulses per Rotation	PPR	4	-	24		
Pulse duty cycle	t_{PPR}	-	50	-	%	

4.6.7 LED Output

The IMC100 series provides an output that can be connected to an LED to give a visual indication of the status of the motor drive.

Table 28 LED Output

Parameter	Symbol	Values			Unit	Note or test condition
		Min.	Typ.	Max.		
Fault to LED delay	$t_{LEDFault}$	-	53	-	ms	
Fault reset to LED delay	$t_{LEDRESET}$	-	1.84	-	ms	
LED blinking frequency	f_{LED}	1		1000	Hz	
LED blinking duty cycle	t_{LED}	5		95	%	

Electrical characteristics and parameters

4.7 Quality declaration

Table 29 Quality Parameters

Parameter	Symbol	Limit Values		Unit	Notes
		Min.	Max.		
ESD susceptibility according to Human Body Model (HBM)	V_{HBM} SR	–	2000	V	Conforming to ANSI/ESDA/JEDEC JS-001
ESD susceptibility according to Charged Device Model (CDM) pins	V_{CDM} SR	–	500	V	Conforming to ANSI/ESDA/JEDEC JS-002
Moisture sensitivity level	MSL CC	–	3	–	JEDEC J-STD-020D
Soldering temperature	T_{SDR} SR	–	260	°C	Profile according to JEDEC J-STD-020D

5 Device and Package specification

5.1 SBSL and Chip-IDs

The table below gives the IDs for the individual devices in the IMC100 family. Depending upon the mode either the SBSL-ID (secure boot loader) or the Chip-ID should be used to identify the device. For details refer to the Reference Manual or the iMOTION™ Programming Manual.

Table 30 SBSL-IDs and Chip-IDs

Product Type	Package	Chip-ID	SBSL-ID
IMC099T-T038	TSSOP-38	0x10990005	02af86dbe4df1c3471cd41bfae101928
IMC101T-T038	TSSOP-38	0x11010005	02270f1fccdf57c333d31abd78f960b0
IMC101T-Q048	QFN-48	0x11010008	0244e4486f613c04e6539585aec5d311
IMC101T-F048	LQFP-48	0x11010006	023443609d83afdd5bbda261eb9469b4
IMC101T-F064	LQFP-64	0x1101000B	02a5cdc6d93bbfba0e3617fd7be5df07
IMC102T-F048	LQFP-48	0x11020006	02fc84949a9e41a3043571111137bffb
IMC102T-F064	LQFP-64	0x1102000B	0289426daa14293ab31828d8341ad4ef

Device and Package specification

5.2.4 Package Outline PG-LQFP-64-26

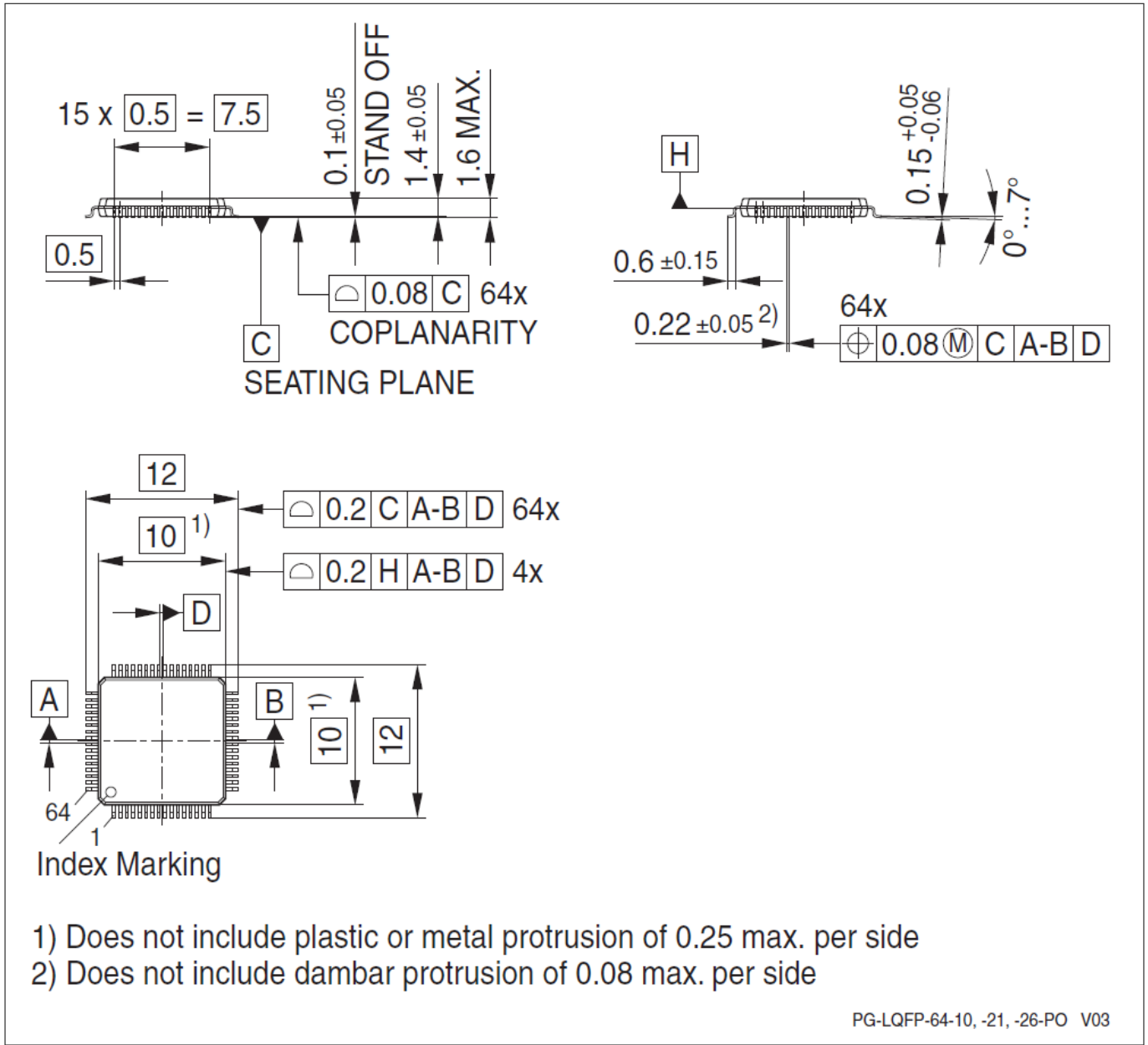


Figure 25 PG-LQFP-64-26

Device and Package specification

5.3 Thermal Considerations

Table 31 Thermal Characteristics of the Packages

Parameter	Symbol	Limit Values		Unit	Package Types
		Min.	Max.		
Exposed Die Pad Dimensions	Ex × Ey CC	-	4.2 × 4.2	mm	PG-VQFN-48-73
Thermal resistance Junction-Ambient ¹⁵⁾	R _{ΘJA} CC	-	86.0	K/W	PG-TSSOP-38-9
		-	44.9	K/W	PG-VQFN-48-73
		-	t.b.d.	K/W	PG-LQFP-48-10
		-	66.7	K/W	PG-LQFP-64-26

Note: For electrical reasons, it is required to connect the exposed pad to the board ground V_{SSP}, independent of EMC and thermal requirements.

When operating the IMC100 in a system, the total heat generated in the chip must be dissipated to the ambient environment to prevent overheating and the resulting thermal damage.

The maximum heat that can be dissipated depends on the package and its integration into the target board. The “Thermal resistance R_{ΘJA}” quantifies these parameters. The power dissipation must be limited so that the average junction temperature does not exceed 115°C.

The difference between junction temperature and ambient temperature is determined by

$$\Delta T = (P_{INT} + P_{IOSTAT} + P_{IODYN}) \times R_{\Theta JA}$$

The internal power consumption is defined as

$$P_{INT} = V_{DD} \times I_{DDP} \text{ (switching current and leakage current).}$$

The static external power consumption caused by the output drivers is defined as

$$P_{IOSTAT} = \Sigma((V_{DD} - V_{OH}) \times I_{OH}) + \Sigma(V_{OL} I_{OL})$$

The dynamic external power consumption caused by the output drivers (P_{IODYN}) depends on the capacitive load connected to the respective pins and their switching frequencies.

If the total power dissipation for a given system configuration exceeds the defined limit, countermeasures must be taken to ensure proper system operation:

- Reduce V_{DD}, if possible in the system
- Reduce the system frequency
- Reduce the number of output pins
- Reduce the load on active output drivers

¹⁵⁾ Device mounted on a 4-layer JEDEC board (JESD 51-5); exposed pad of VQFN soldered.

5.4 Part marking

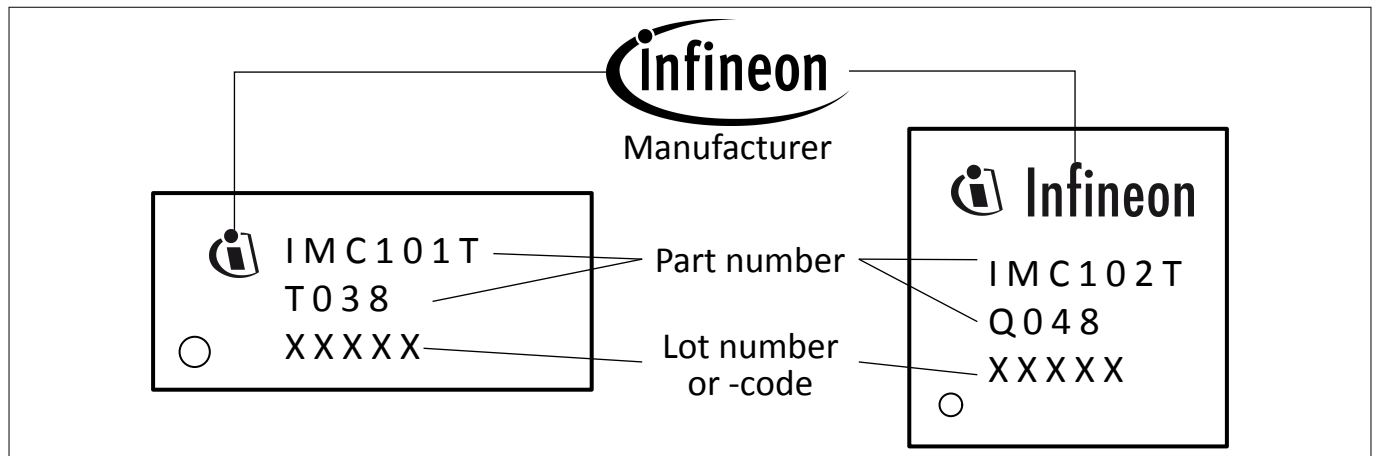


Figure 26 Part marking

References

6 References

Revision history

Document version	Date of release	Description of changes
1.0	2018-02-09	<ul style="list-style-type: none">Initial version
1.1	2018-02-20	<ul style="list-style-type: none">Corrected RX1, TX1 in QFN-48, QFP-48 and LQFP-64
1.2	2018-07-24	<ul style="list-style-type: none">Added pins for scripting engineAdded SBSL-IDs and Chip-IDsAdded input voltage specificationSeveral minor corrections
1.3	2019-02-14	<ul style="list-style-type: none">Added the IMC099T-T038
1.4	2019-07-09	<ul style="list-style-type: none">Added IMC102T-F048, IMC102T-F048Corrected position of hall pinsCorrected min/max pin input voltageAdded GPIO16/GPIO17/GPIO18 to QFN-48 and QFP-48
1.5	2020-04-15	<ul style="list-style-type: none">Added clarification on DUTYFREQ vs. Hall sensor availabilityAdded DCO accuracy with calibrationIncreased max motor PWM to 40 kHz
1.6	2020-06-18	<ul style="list-style-type: none">Added GPIO6, GPIO7 to pin table for LQFP-48Corrected pin drawing for IMC101F-F048

Trademarks

All referenced product or service names and trademarks are the property of their respective owners.

Edition 2020-06-22

**Published by
Infineon Technologies AG
81726 Munich, Germany**

**© 2020 Infineon Technologies AG
All Rights Reserved.**

**Do you have a question about any
aspect of this document?
Email: erratum@infineon.com**

**Document reference
IFX-utn1491921304081**

IMPORTANT NOTICE

The information given in this document shall in no event be regarded as a guarantee of conditions or characteristics ("Beschaffheitsgarantie").

With respect to any examples, hints or any typical values stated herein and/or any information regarding the application of the product, Infineon Technologies hereby disclaims any and all warranties and liabilities of any kind, including without limitation warranties of non-infringement of intellectual property rights of any third party.

In addition, any information given in this document is subject to customer's compliance with its obligations stated in this document and any applicable legal requirements, norms and standards concerning customer's products and any use of the product of Infineon Technologies in customer's applications.

The data contained in this document is exclusively intended for technically trained staff. It is the responsibility of customer's technical departments to evaluate the suitability of the product for the intended application and the completeness of the product information given in this document with respect to such application.

WARNINGS

Due to technical requirements products may contain dangerous substances. For information on the types in question please contact your nearest Infineon Technologies office.

Except as otherwise explicitly approved by Infineon Technologies in a written document signed by authorized representatives of Infineon Technologies, Infineon Technologies' products may not be used in any applications where a failure of the product or any consequences of the use thereof can reasonably be expected to result in personal injury.