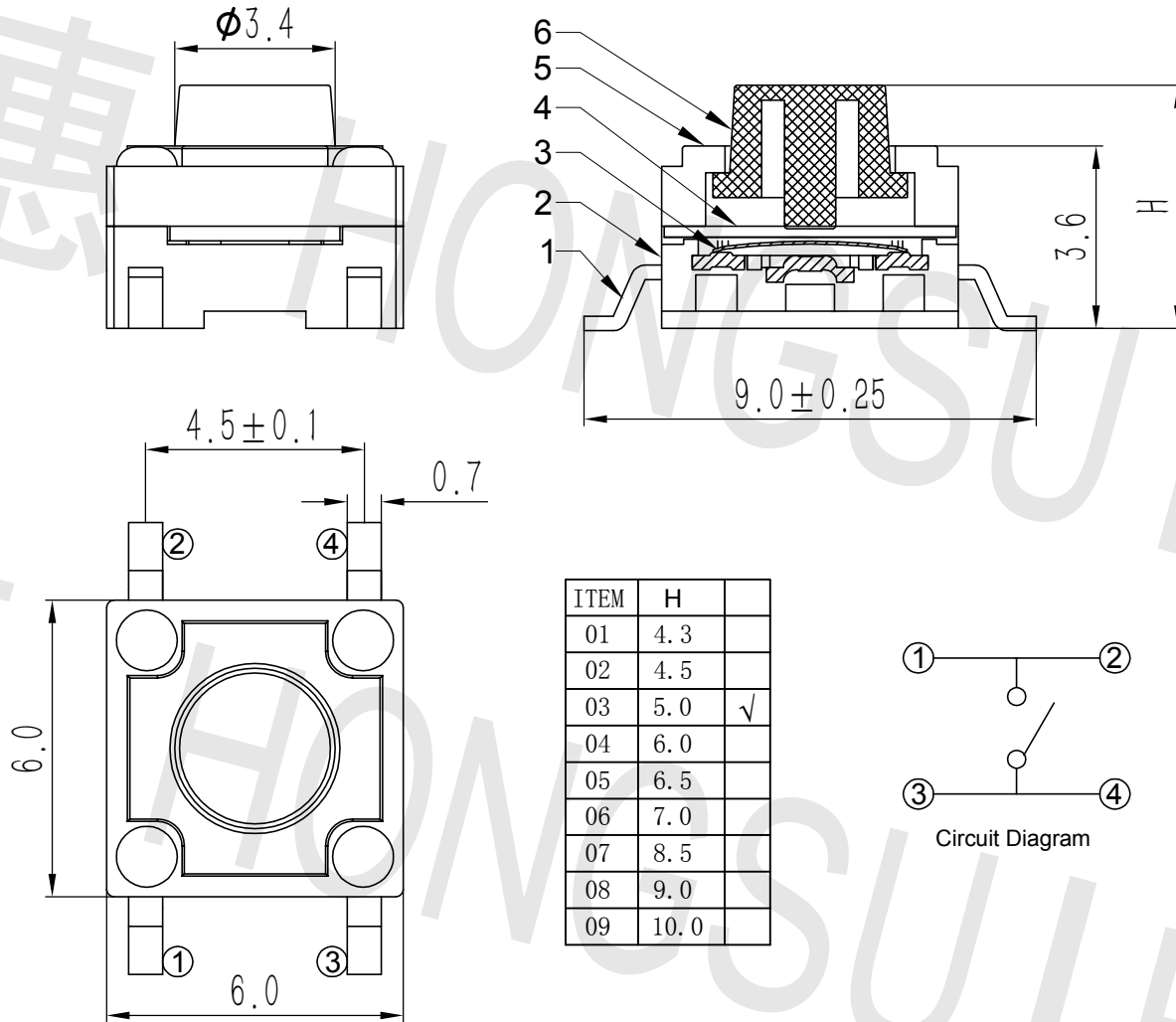
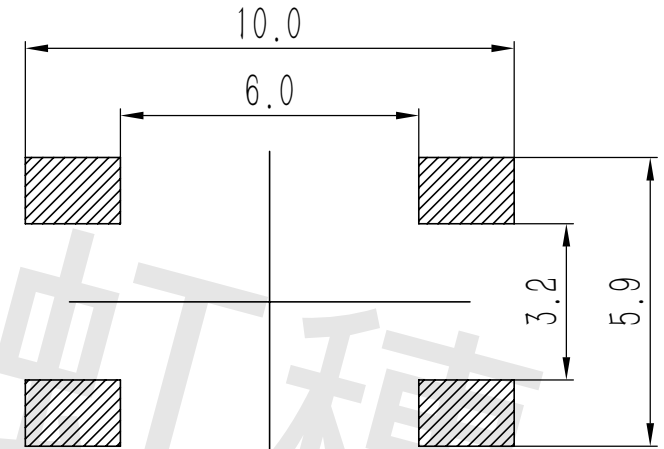
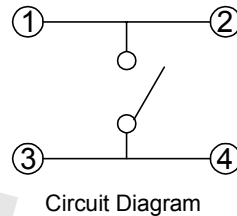


Version	ECM	Amendments	Modifier	Date Modified



ITEM	H	
01	4.3	
02	4.5	
03	5.0	√
04	6.0	
05	6.5	
06	7.0	
07	8.5	
08	9.0	
09	10.0	



P.C.B. Layout

Remarks:

1. Rated current、Voltage: DC 12V 50mA
2. Contact resistance: $\leq 100\text{m}\Omega$
3. Insulation resistance: $\geq 100\text{M}\Omega$
4. The intensity of operations: $250 \pm 50\text{gf}$
5. Life requirements: 100,000次
6. Withstand voltage: AC 250V 1分钟
7. All materials comply with RoHS2.0 standards

NO.	PART NAME	MATERIAL	QTY	FINISHING	General Tolerance		DRAWN	Product Name	Tact Switch		
					X \leq 1	± 0.05			Rev	SHEET	
6	Button	PPA	1	Black	$1 \leq X \leq 5$	± 0.10	AFFIRM	郑杰铭	PART DESCRIPTION	6*6*5.0 250gf 防水贴片脚距9.0	
5	Cover	PPA	1	Black	$5 \leq X \leq 10$	± 0.15	AUDITING	徐丹丹	Model Number	TSW60BB50B25B001	
4	Waterproof membrane	Silica gel	1	Black	X $>$ 10	± 0.25	DATE	杨书胜	2021.05.25	Rev A0	
3	Shrapnel	SUS	1	Ag Plating	ANGLE	$\pm 3^\circ$				SHEET 1:1	
2	Housing	PPA	1	Black	UNIT	mm					
1	Terminal	Brass	4	Ag Plating							
					ZHEJIANG HONGSUI PRECISION ELECTRONIC CO., LTD						