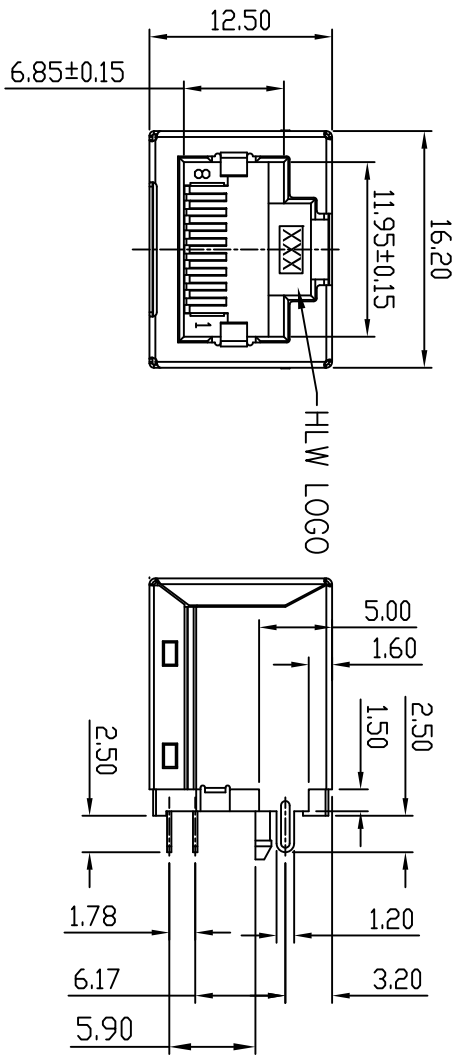
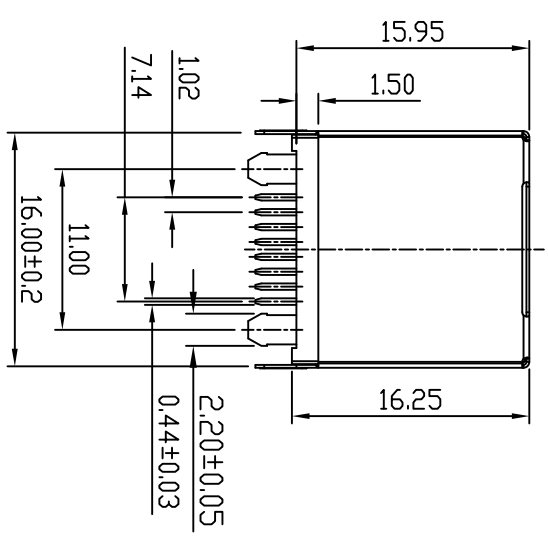


CATEGORY	DESCRIPTION	P/N #
CONNECTOR	RJ45 8P8C 180度插板带壳H16.25(垫高版)	MJ88C-BX11-HP4-X

REV.	ECN NO	DESCRIPTION	REVISED	DATE
A02	—	依客户要求新增产品规格	XSY	2017.11.14
A03	—	增加电镀U数选项	YST	2018.09.12
A04	ECN191202002	外壳标注电镀规格	XSY	2019.12.02

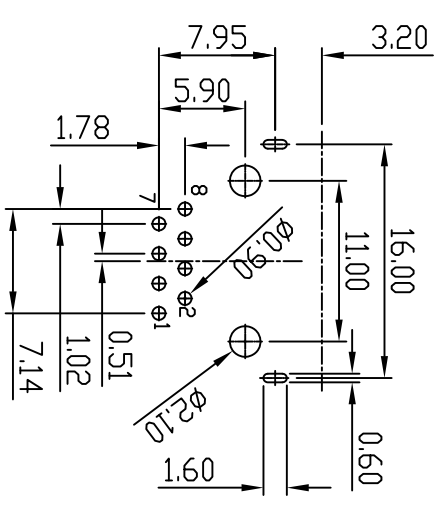


1.RJ ELECTRICAL CHARACTERISTICS  
 1-1: VOLTAGE:125V AC RMS  
 1-2: CURRENT RATING:1.5A  
 1-3: CONTACT RESISTANCE:40mΩ MAX.  
 1-4: INSULATION RESISTANCE:500MΩ MIN.  
 1-5: DIELECTRIC WITHSTANG VOLTAGE :500V AC  
 1-6: OPERATURE TEMPERATURE: -40C~80C



MJ88C-BX11-HP4-X

X	Terminal Plating	X	PACK TYPE
0	Au 1u" Plating	C	卷带包装
1	Au 3u" Plating	P	吸塑包装
2	Au 6u" Plating		
3	Au 15u" Plating		
4	Au 30u" Plating		
7	Au 2u" Plating		



Recommend PCB Layout  
 Jack Top View  
 Tolerance: ±0.05mm  
 Recommend PCB Thickness: 1.6mm

d	SHELL	1	BRASS T=0.2mm	NI 50u"	
c	TERMINAL	8	PHOSPHOR BRONZE T=0.3mm	AU PALTING	
b	COVER	1	NY9T UL94V-0	BLACK	
a	HOUSING	1	NY9T UL94V-0	BLACK	
NO.	PART NAME	Q'TY	MATERIAL	PLATING & COLOR	Remark

UNLESS OTHERWISE SPECIFIED TOLERANCES	DECIMALS:	ANGLES:
	X : ±0.5	X : ±2°
	X.X : ±0.3	X.X : ±1°
	X.XX : ±0.2	

东莞市合陵电子有限公司  
 Dongguan Hejing Electronic Co.,LTD  
 Connector  
 SCALE:1/1 UNIT: mm DWG.NO:  
 SIZE: A3 PAGE:1 OF 1 REV:A04  
 APPROVED BY \_\_\_\_\_ CHECKED BY \_\_\_\_\_ PREPARED BY \_\_\_\_\_  
 DICK XSY YST  
**CUSTOMER COPY**