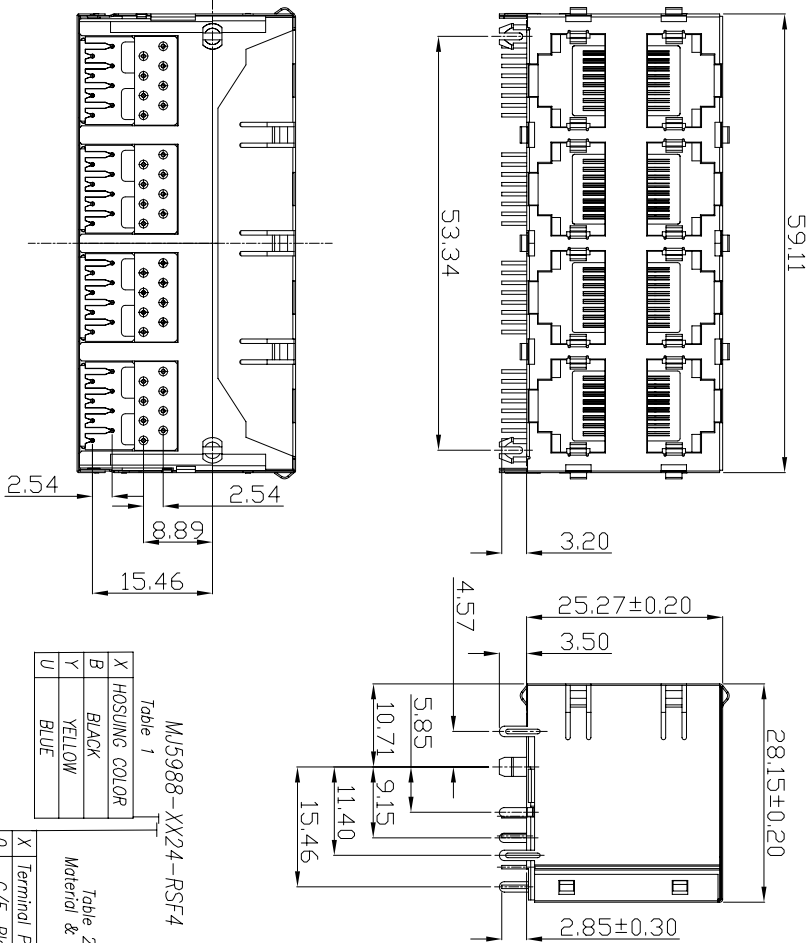
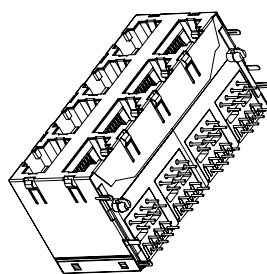
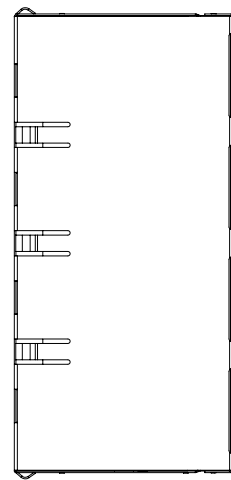


CATEGORY	DESCRIPTION	P/N #
CONNECTOR	RJ45 2x4 port 8P8C Connector	MJ5988-XX24-RSF4

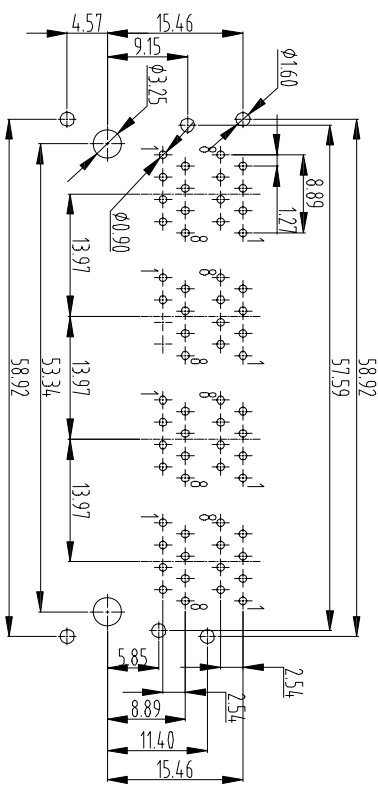
REV.	ECN NO	DESCRIPTION	REVISED	DATE
A01		New Release	YST	2018.08.25



MJ5988-XX24-RSF4

X	HOUSING COLOR
B	BLACK
Y	YELLOW
U	BLUE

Material & Plating	
X	Terminal Plating
0	G/F Plating
1	Au 3u" Plating
2	Au 6u" Plating
3	Au 15u" Plating
4	Au 30u" Plating
5	Au 50u" Plating



PCB LAYOUT/TOP VIEW

- NOTES:
- MATERIAL:
- HOUSING: (ROUND PIN Ø0.6mm)
  - 2 CONTACT: PHOSPHOR BRONZE WITH GOLD PLATING OVER NICKEL
  - 3 SHIELD: 0.20mm THICKNESS COPPER ALLOY WITH NICKEL PLATED OPTION
  - 4 LED:
- ELECTRICAL:
- 1 VOLTAGE RATING: 125V AC
  - 2 CURRENT RATING: 15AMP
  - 3 CON TACT RESISTANCE: 30 MILLIOHMS MAX.
  - 4 INSULATION RESISTANCE: 500 MEGOHMS MIN @ 500V DC
  - 5 DIELECTRIC WITHSTANDING VOLTAGE: 1000V AC RMS 50Hz OR 60Hz MIN
- MECHANICAL:
- 1 TENSION FORCE: 2.2kg MAX
  - 2 PREVENTION STRONG: 2.7kg BETWEEN JACK AND PLUG
  - 3 DURABILITY: 750 CYCLES MIN
- ENVIRONMENTAL:
- 1 STORAGE: -40°C ~ 85°C
  - 2 OPERATION: -40°C TO 85°C
- THE MATE'S MODULAR PLUG CONFORMING TO FCC PART 68

UNLESS OTHERWISE SPECIFIED TOLERANCES	SCALE: 1/1	UNIT: mm	DWG. NO.
DECIMALS: X : ±0.5	SIZE: A3	PAGE: 1 OF 1	REV: A01
ANGLES: X X : ±2°	APPROVED BY	CHECKED BY	PREPARED BY
X.XX : ±0.3	DICK	XSY	YST
X.XXX : ±0.2	CUSTOMER COPY		

东莞市合陵电子有限公司