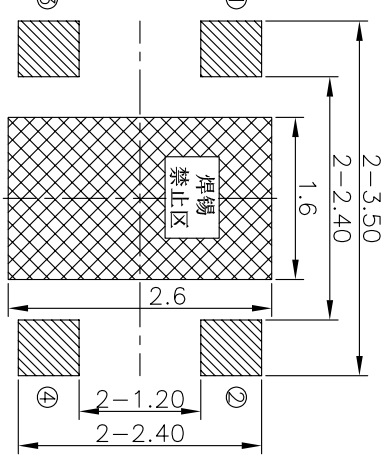
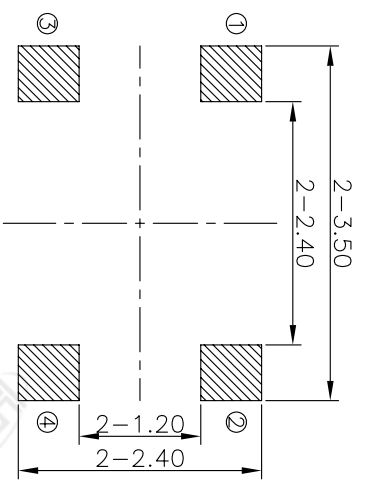
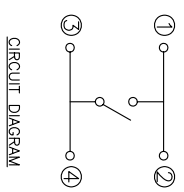
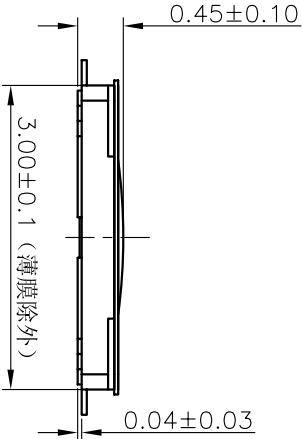


规格 Specifications

额定负荷 Rating	DC 12V/50mA
接触电阻 Contact Resistance	500mΩ max.
绝缘电阻 Insulation resistance	DC100V 60S 100MΩ min.
机电强度 Dielectric strength	AC250V(50-60HZ) 60S min.
操作力 Operation force	≤180±30gf ≥240±50gf
寿命试验 Operating Life	300,000 cycles 100,000 cycles
行程 Travels	0.15±0.05mm



PRODUCT NO. : 1TS016B***-0450 - **

轻触开关
3X2.6系列
外形:
A=四脚
B=四脚无按柄

按点颜色:
底座颜色:
贴膜颜色:

操作力度:
160=160gf
180=180gf
240=240gf

手感:
0=常规(弹片)
1=大手感(弹片)
2=小手感(弹片)
3=特殊手感(弹片)

脚距:
0=常规脚距3.5mm
1=特殊脚距3.2mm
依次增加

其它:
CT=编带(非编带,不启用)

产品高度(H):
045=0.45mm

X. ± 0.2	X. ± 3'	ITEM	PART NAME	QUANTITY	MATERIAL	FINISH
X ± 0.1	X' ± 2'	4	FILM	1	POLYAMIDE	WHITE
.XX ± 0.05	.XX' ± 1'	3	DOMES	2	STAINLESS STEEL	Ag-PLATED
.XXX ± 0.03	.XXX' ± 0.5'	2	HOUSING	1	POLYAMIDE	BLACK
		1	TERMINAL	1	PHOSPHOR BRONZE	Ag-PLATED
NAME(INTENDED USE) 3X2.6 SERIES TACT SWITCHES						
PART NO.(INTENDED USE) 1TS016B***-0450						
TITLE: PRODUCT DRAWING						
HON YUAN HON YUAN PRECISION IND. CO.,LTD. SHENZHEN, CHINA.						
APPD: ZO 3/13/2019						
CHKD: M.H.LI 3/13/2019						
DR: Y.Y.Chen 3/13/2019						
DWG NO.: 1TS016B						
SCALE SHEET REV.						
25/1 1/1 A						

THESE DRAWINGS AND SPECIFICATIONS ARE THE PROPERTY OF HON YUAN PRECISION IND. CO., LTD. AND SHALL NOT BE REPRODUCED, COPIED OR USED IN ANY MANNER WITHOUT THE WRITTEN PERMISSION OF HON YUAN PRECISION IND. CO., LTD.