

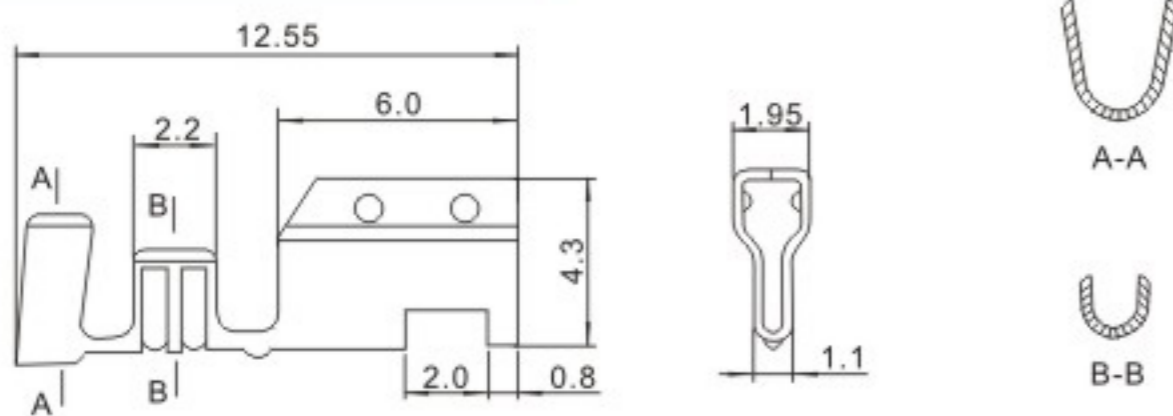
技术参数 SPECIFICATIONS

- 线数 (Poles) : 2~12(18)
- 适用线规 (Applicable wires) : AWG24#~18#
- 适应基板厚度 (Applicable PC board thickness) : 1.6mm
- 温度范围 (Temperature range) : -25℃~85℃
- 额定电压 (Voltage rating) : 250V.Ac/Dc
- 额定电流 (Current rating) : 5A
- 接触电阻 (Contact resistance) : ≤0.015Ω
- 绝缘电阻 (Insulation resistance) : ≥1000MΩ
- 耐压 (Withstand voltage) : 1500V.Ac/1min
- 材料 (Material) :
 - 孔座 (Housing) : 尼龙 (PA66) UL94V-2(0)
 - 针座 (Wafer) : 尼龙 (PA66) UL94V-2(0)
 - 端子 (Terminal) : 磷青铜 (Phos.bronze Tin/plated)

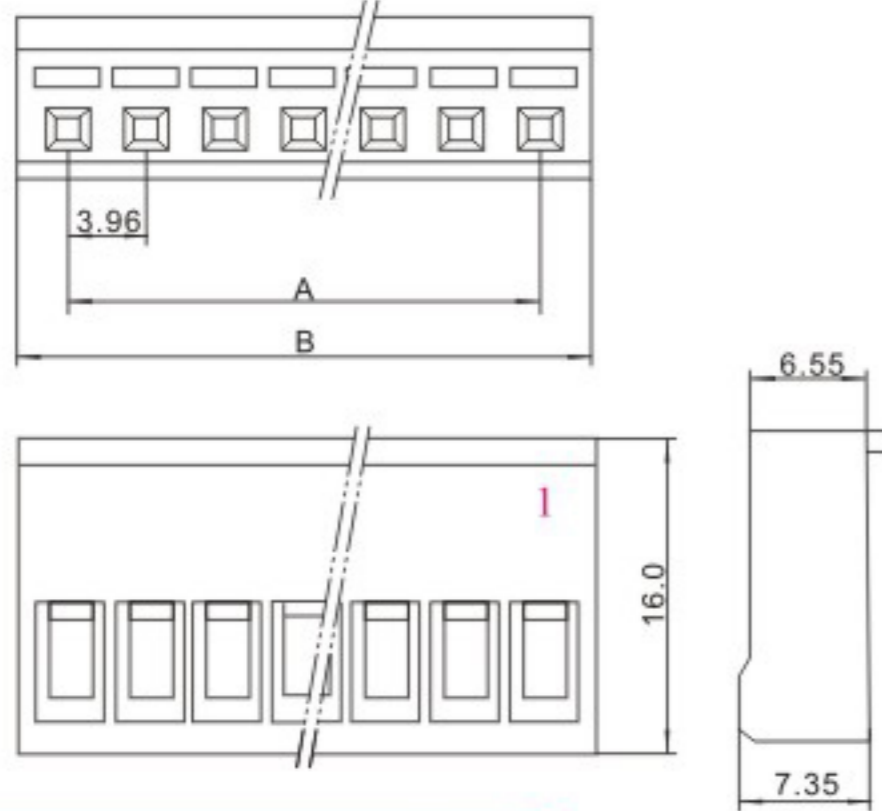
端子 TERMINAL (5225、5194)

型号 Type	适用线规 Applicable wires		电线外径 O.D of wire ins mm	数量 Quantity
	mm ²	AWG#		
HX39606-PT	0.2~0.75	24~18	1.5~2.8	3500PCS/盘

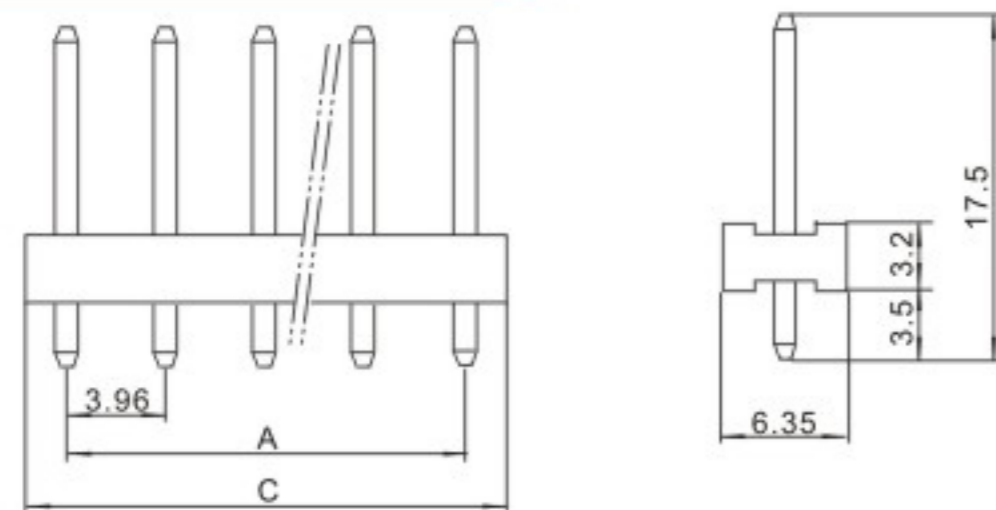
HX39606-PT (5225、5194)



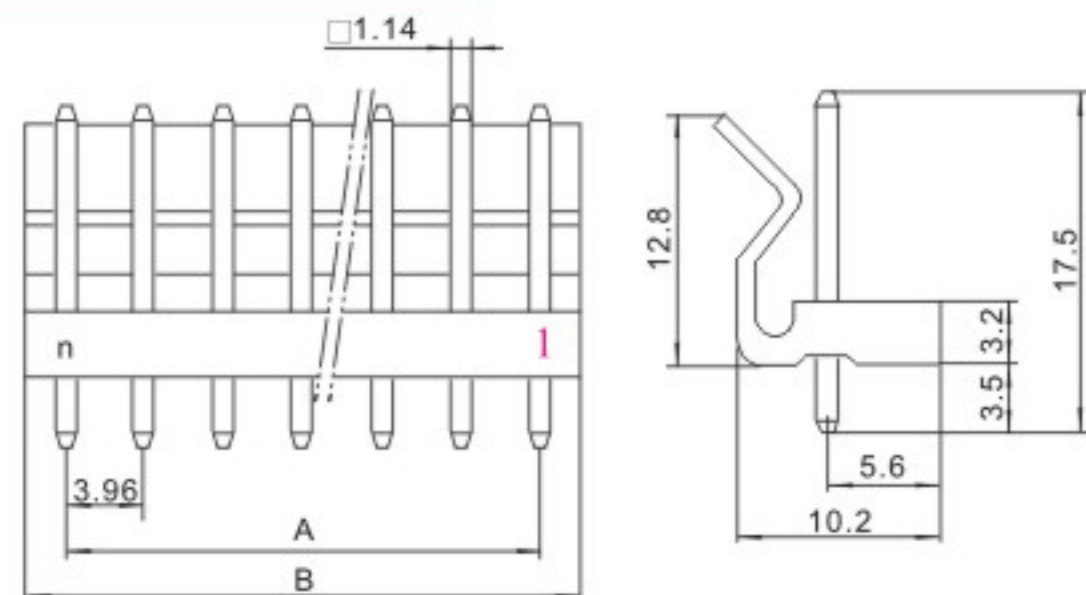
HX39606-Y (5195)



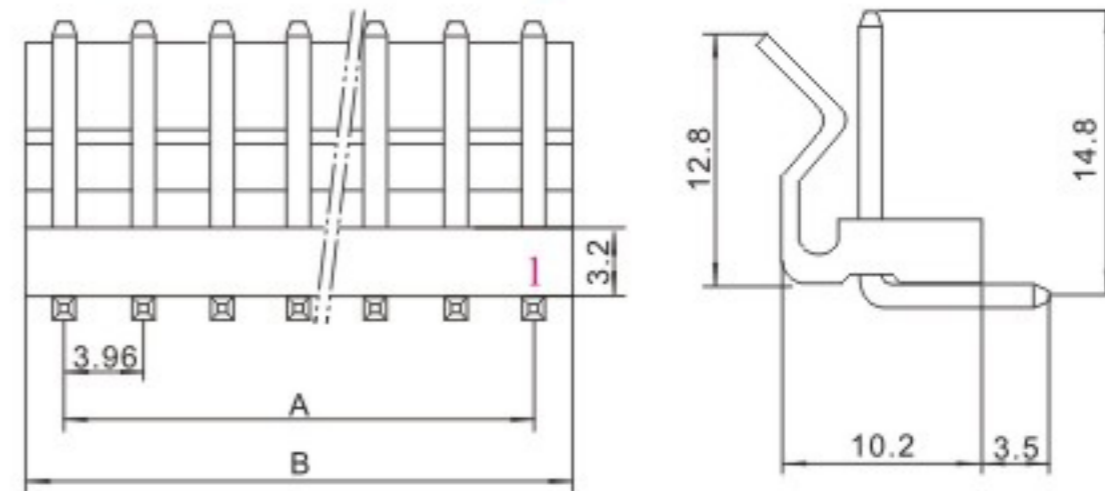
HX39603-NA (5271/3.96)



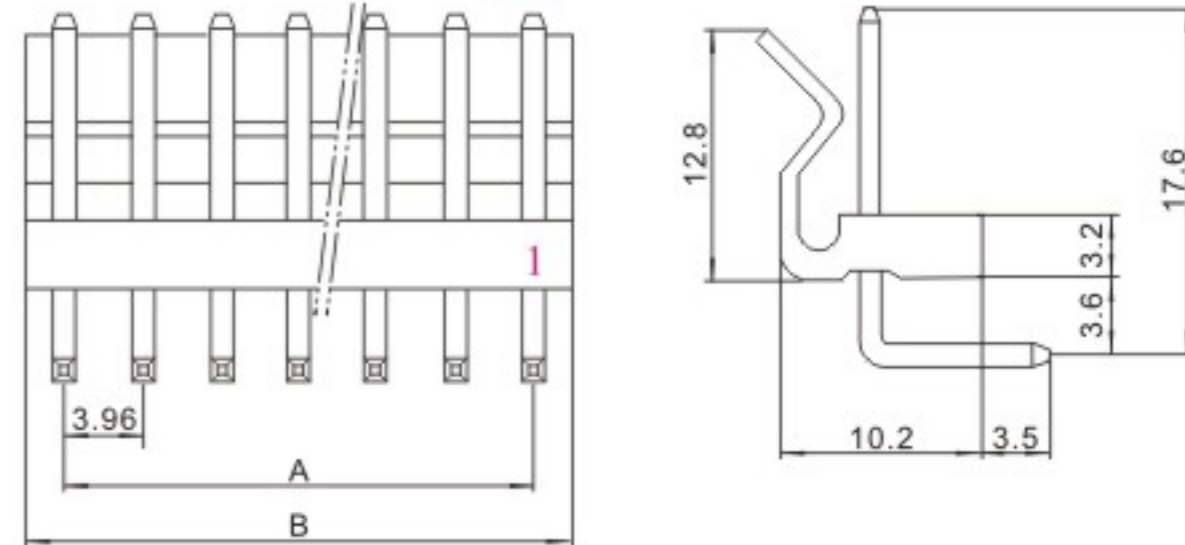
HX39603-A (5273/3.96)



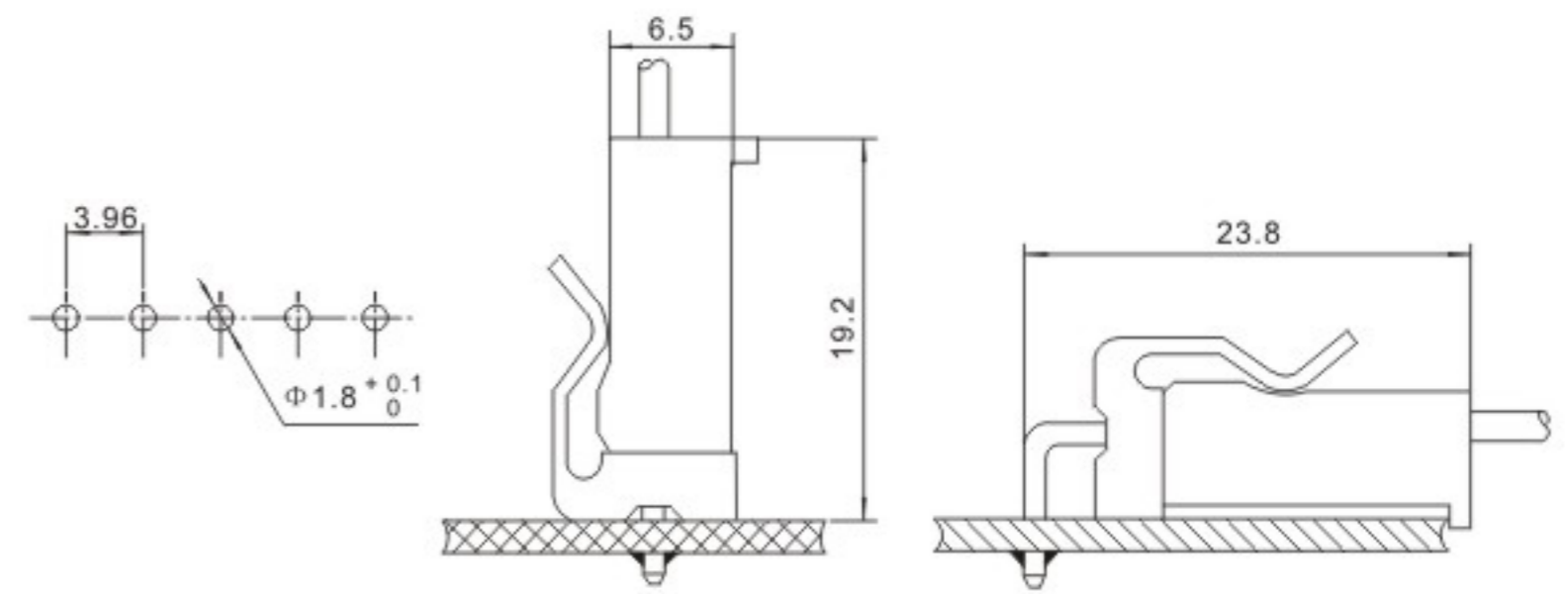
HX39603-WAP (5274/3.96)



HX39603-WAG (5274/3.96)



安装尺寸 MOUNTING MEASUREMENT



孔座 HOUSING (5195)

线数 Poles	型号 Type	尺寸Dimensions(mm)	
		A	B
2	HX39606-2Y	3.96	9.06
3	HX39606-3Y	7.92	13.02
4	HX39606-4Y	11.88	16.98
5	HX39606-5Y	15.84	20.94
6	HX39606-6Y	19.80	24.91
7	HX39606-7Y	23.76	28.86
8	HX39606-8Y	27.72	32.82
9	HX39606-9Y	31.68	36.78
10	HX39606-10Y	35.64	40.74
11	HX39606-11Y	39.60	44.70
12	HX39606-12Y	43.56	48.66
...
18	HX39606-18Y	67.32	72.42

针座 WAFER (5273/5274/5271/3.96)

线数 Poles	型号 Type		尺寸Dimensions(mm)		
	直式/弯式	横条(180°)	A	B	C
2	HX39603-2A/WA	HX39603-2NA	3.96	7.92	7.77
3	HX39603-3A/WA	HX39603-3NA	7.92	11.88	11.73
4	HX39603-4A/WA	HX39603-4NA	11.88	15.84	15.69
5	HX39603-5A/WA	HX39603-5NA	15.84	19.80	19.65
6	HX39603-6A/WA	HX39603-6NA	19.80	23.76	23.61
7	HX39603-7A/WA	HX39603-7NA	23.76	27.72	27.57
8	HX39603-8A/WA	HX39603-8NA	27.72	31.68	31.53
9	HX39603-9A/WA	HX39603-9NA	31.68	35.64	35.49
10	HX39603-10A/WA	HX39603-10NA	35.64	39.60	39.45
11	HX39603-11A/WA	HX39603-11NA	39.60	43.56	43.41
12	HX39603-12A/WA	HX39603-12NA	43.56	47.52	47.37
...	...	---	---
18	HX39603-18A/WA	---	67.32	71.28	---