

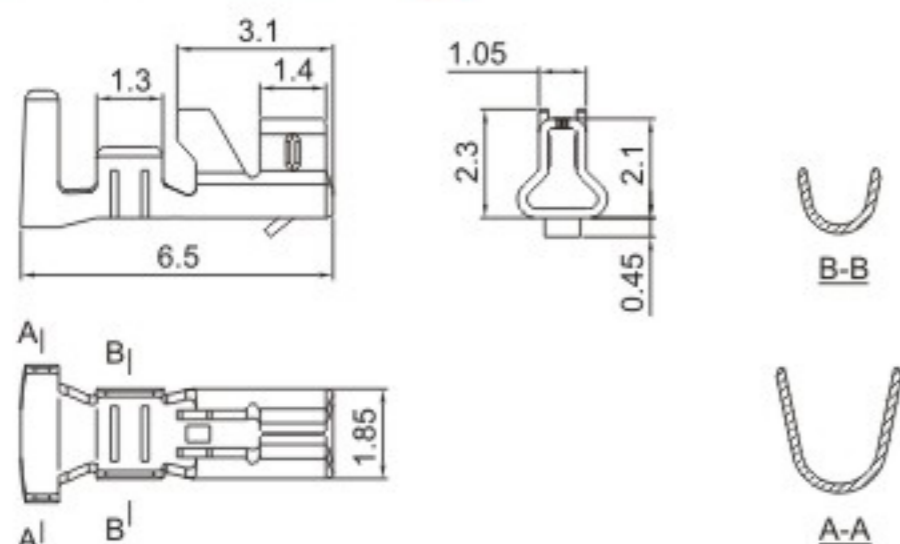
技术参数 SPECIFICATIONS

- 线数 (Poles) : 2~15
- 适用线规 (Applicable wires) : AWG28# ~20#
- 适应基板厚度 (Applicable PC board thickness) : 1.6mm
- 温度范围 (Temperature range) : -25℃~85℃
- 额定电压 (Voltage rating) : 250V.Ac/Dc
- 额定电流 (Current rating) : 3A
- 接触电阻 (Contact resistance) : ≤0.02Ω
- 绝缘电阻 (Insulation resistance) : ≥1000MΩ
- 耐压 (Withstand voltage) : 1000V.Ac/1min
- 材料 (Material) :
 - 孔座 (Housing) : 尼龙 (PA66) UL94V-2(0)
 - 针座 (Wafer) : 尼龙 (PA66) UL94V-2(0)
 - 插片 (Retainer) : 尼龙 (PA66) UL94V-2(0)
 - 端子 (Terminal) : 磷青铜 (Phos.bronze Tin/plated)

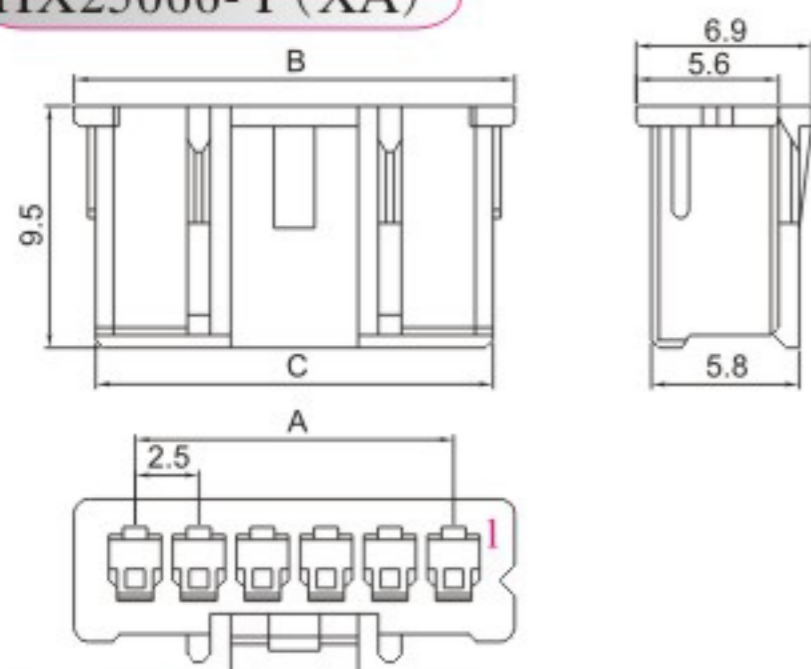
端子 TERMINAL (XA)

型号 Type	适用线规 Applicable wires		电线外径 O.D of wire ins mm	数量 Quantity
	mm ²	AWG#		
HX25066-PT	0.08~0.50	28~20	1.2~1.9	7000PCS/盘

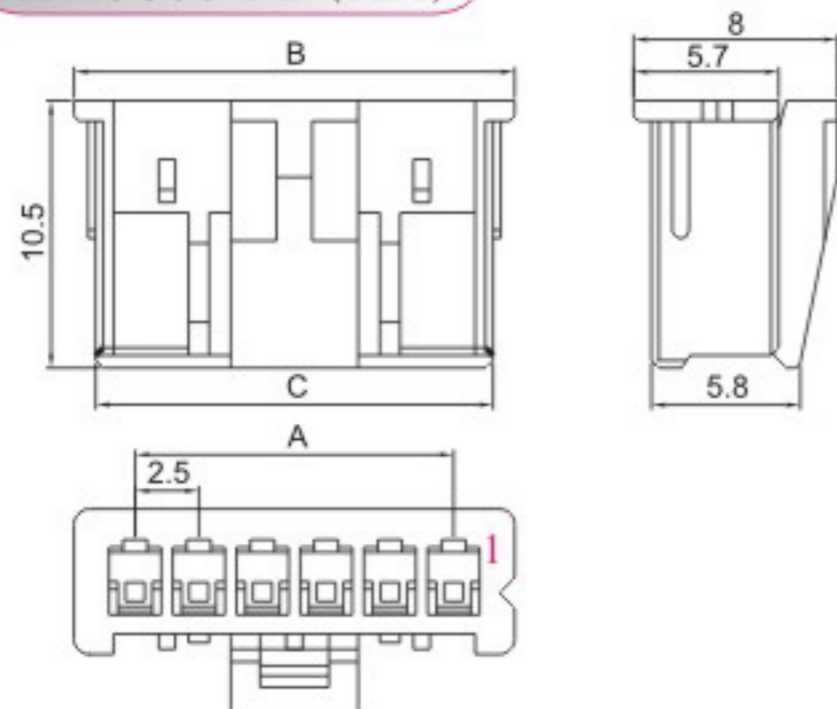
HX25066-PT (XA)



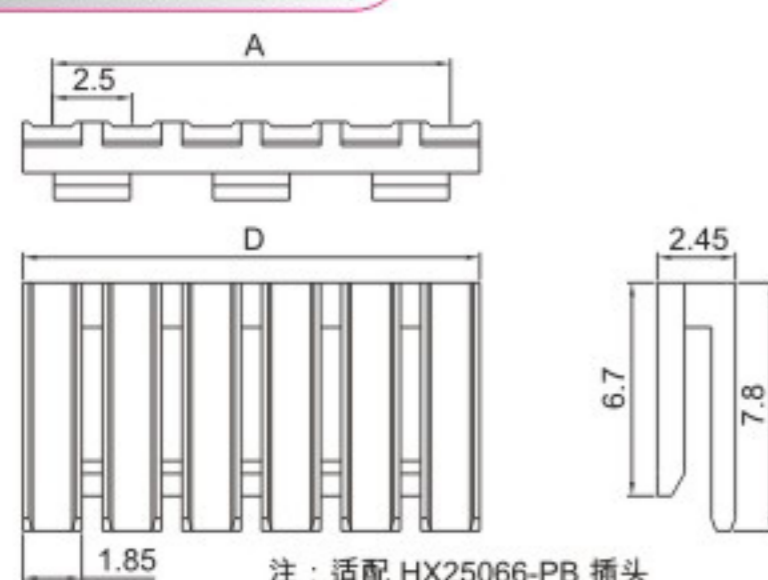
HX25066-Y (XA)



HX25066-PB (XA)

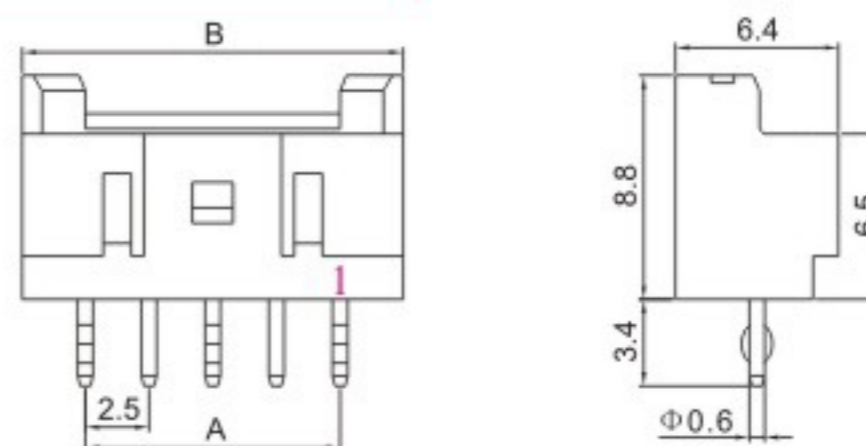


HX25066-S (XA)

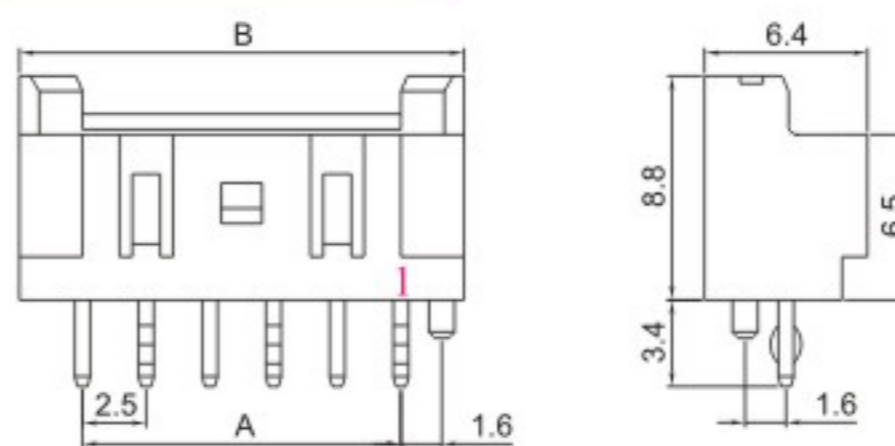


注: 适配 HX25066-PB 插头

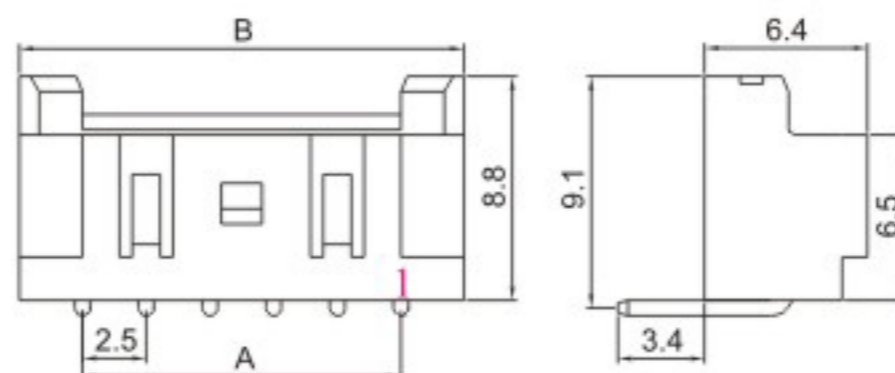
HX25066-A (XA)



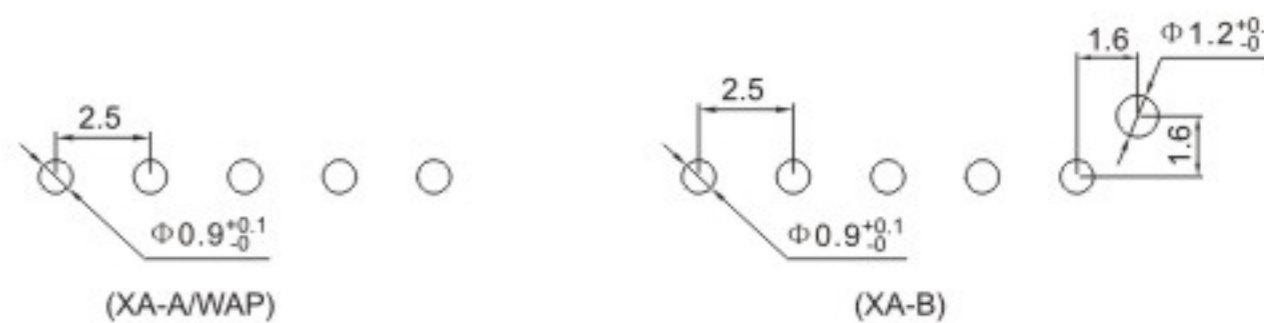
HX25066-B (XA)



HX25066-WAP (XA)



安装尺寸 MOUNTING MEASUREMENT



孔座 HOUSING (XA)

线数 Poles	型号 Type	尺寸Dimensions(mm)			
		A	B	C	D
2	HX25066-2Y/PB/S	2.5	7.3	5.6	4.35
3	HX25066-3Y/PB/S	5.0	9.8	8.1	6.85
4	HX25066-4Y/PB/S	7.5	12.3	10.6	9.35
5	HX25066-5Y/PB/S	10.0	14.8	13.1	11.85
6	HX25066-6Y/PB/S	12.5	17.3	15.6	14.35
7	HX25066-7Y/PB/S	15.0	19.8	18.1	16.85
8	HX25066-8Y/PB/S	17.5	22.3	20.6	19.35
9	HX25066-9Y/PB/S	20.0	24.8	23.1	21.85
10	HX25066-10Y/PB/S	22.5	27.3	25.6	24.35
11	HX25066-11Y/PB/S	25.0	29.8	28.1	26.85
12	HX25066-12Y/PB/S	27.5	32.3	30.6	29.35
13	HX25066-13Y/PB/S	30.0	34.8	33.1	31.85
14	HX25066-14Y/PB/S	32.5	37.3	35.6	34.35
15	HX25066-15Y/PB/S	35.0	39.8	38.1	36.85

针座 WAFER (XA)

线数 Poles	型号 Type		尺寸Dimensions(mm)	
	直式 (180°)	弯式 (90°)	A	B
2	HX25066-2A/B	HX25066-2WAP	2.5	7.5
3	HX25066-3A/B	HX25066-3WAP	5.0	10.0
4	HX25066-4A/B	HX25066-4WAP	7.5	12.5
5	HX25066-5A/B	HX25066-5WAP	10.0	15.0
6	HX25066-6A/B	HX25066-6WAP	12.5	17.5
7	HX25066-7A/B	HX25066-7WAP	15.0	20.0
8	HX25066-8A/B	HX25066-8WAP	17.5	22.5
9	HX25066-9A/B	HX25066-9WAP	20.0	25.0
10	HX25066-10A/B	HX25066-10WAP	22.5	27.5
11	HX25066-11A/B	HX25066-11WAP	25.0	30.0
12	HX25066-12A/B	HX25066-12WAP	27.5	32.5
13	HX25066-13A/B	HX25066-13WAP	30.0	35.0
14	HX25066-14A/B	HX25066-14WAP	32.5	37.5
15	HX25066-15A/B	HX25066-15WAP	35.0	40.0