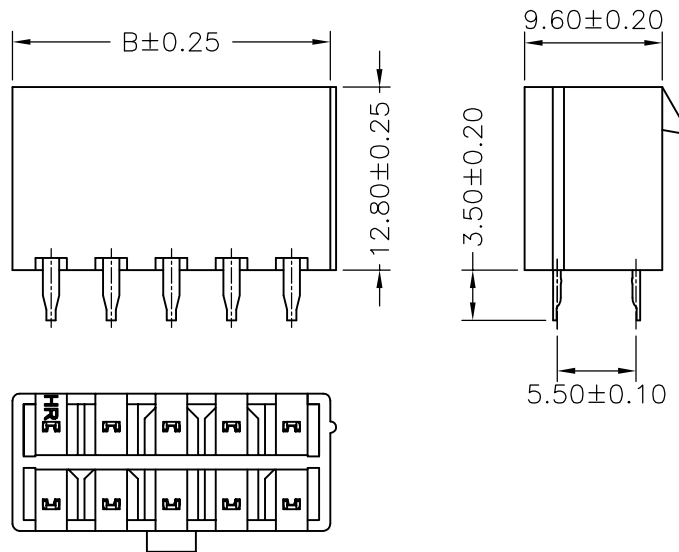
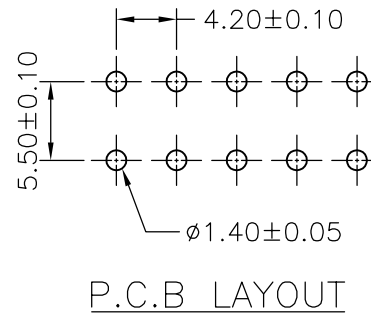
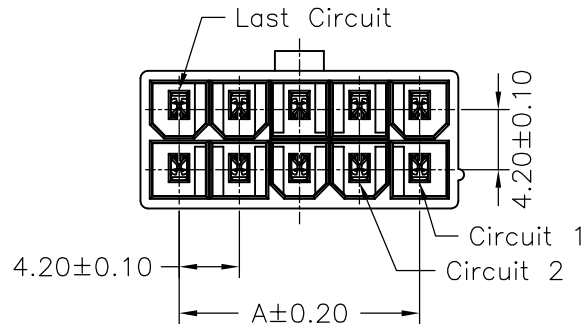


### SPECIFICATIONS

Current Rating: 9A AC,DC  
 Voltage Rating: 600V AC,DC  
 Temperature Range: -25°C ~ +85°C  
 Contact Resistance: 10mΩ Max  
 Insulation Resistance: 1000MΩ Min  
 Withstanding Voltage: 1500V AC/minute  
 Pin Material: Brass/Tin-plated  
 Material: Nylon 66,UL94V-2  
 Color: Natural(Translucent)

### Ordering Information & Dimensions

PART NO.	Dimensions	
	A	B
C4255WVA-2X01P	---	5.40
C4255WVA-2X02P	4.20	9.60
C4255WVA-2X03P	8.40	13.80
C4255WVA-2X04P	12.60	18.00
C4255WVA-2X05P	16.80	22.20
C4255WVA-2X06P	21.00	26.40
C4255WVA-2X07P	25.20	30.60
C4255WVA-2X08P	29.40	34.80
C4255WVA-2X09P	33.60	39.00
C4255WVA-2X10P	37.80	43.20
C4255WVA-2X11P	42.00	47.40
C4255WVA-2X12P	46.20	51.60



				UNIT		SCALE	SHEET	TITLE:
				mm		1 of 1		
		DRAWN BY		APPROVED BY		<b>4.20mm PITCH</b> <b>180° WAFER, MINI-FIT</b>		
		董正一		董正一				
		2001.02.01		2001.02.01				
		GENERAL TOLERANCE						
B1	REVISE	2008.12.16	X. X±0.25	ANGLE±		DRAW NO. : C4255WVA-2XNP REV. B1		
B0	NEW RELEASE	2006.06.07	X. XX±0.15					
REV.	DESCRIPTION	DATE	X. XXX±0.05					