

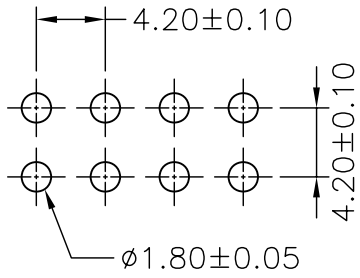
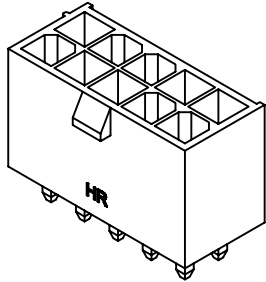
P/N LEGEND

	<u>C4255</u>	<u>WV-2XNP</u>	<u>BK</u>
	①	②	③ ④
①	Series No.		
②	Connector type: WV=Vertical		
③	No. of circuits		
④	Option code: BK= Nylon 66-V2,Black, Tin-plated		

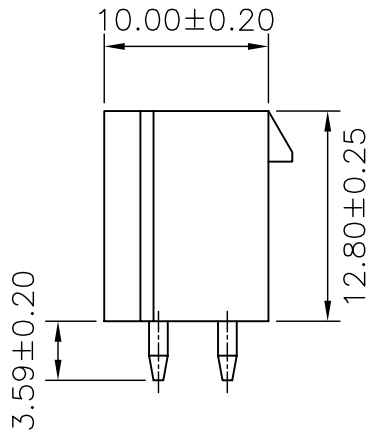
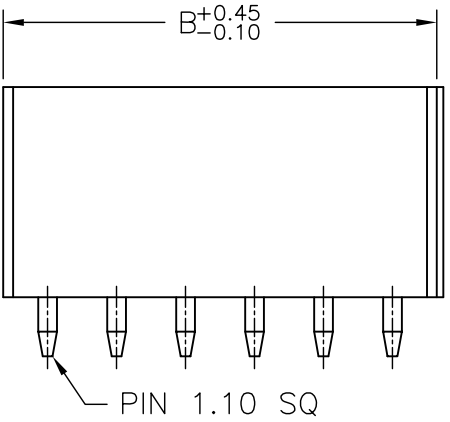
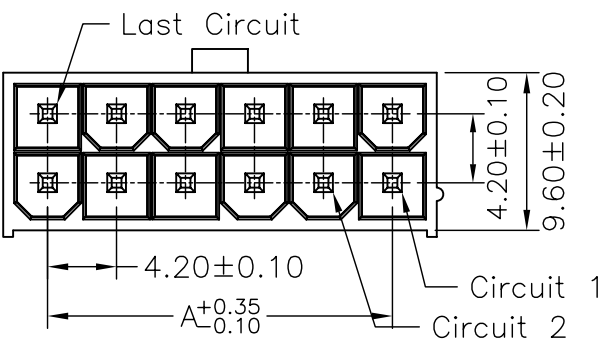
SPECIFICATIONS


Current Rating: 9A AC,DC
 Voltage Rating: 600V AC,DC
 Temperature Range: -25°C ~ +85°C
 Contact Resistance: 10mΩ Max
 Insulation Resistance: 1000MΩ Min
 Withstanding Voltage: 1500V AC/minute
 Pin Material: Brass

Circuit No.	Dimensions	
	A	B
2X01P	---	5.40
2X02P	4.20	9.60
2X03P	8.40	13.80
2X04P	12.60	18.00
2X05P	16.80	22.20
2X06P	21.00	26.40
2X07P	25.20	30.60
2X08P	29.40	34.80
2X09P	33.60	39.00
2X10P	37.80	43.20
2X11P	42.00	47.40
2X12P	46.20	51.60



P.C.B LAYOUT



				 燦達電子工業股份有限公司 JOINT TECH ELECTRONIC IND. CO., LTD.	
UNIT	SCALE	SHEET	TITLE:		
mm	1 : 1	1 of 2	4.20mm PITCH 180° WAFER, MINI-FIT, COLOR: BLACK		
DRAWN BY	APPROVED BY				
李勤	董正一		DRAW NO. :		
2006.06.07	2006.06.07		C4255WV-2XNPBK		
GENERAL TOLERANCE			REV. A1		
A1	EN1404170004	2014.04.17	劉包根	X.X±0.25	ANGLE±
A0	NEW RELEASE	2006.06.07	李勤	X.XX±0.15	
REV.	DESCRIPTION	DATE	NAME	X.XXX±0.05	