

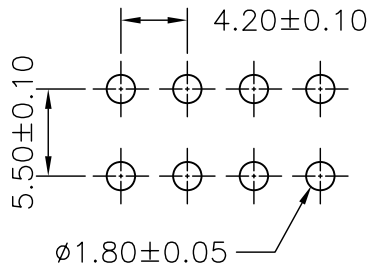
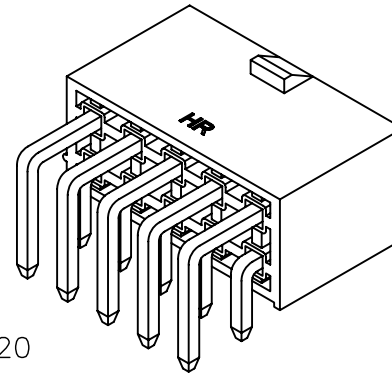
P/N LEGEND

C4255 WR-2XNP		
①	②	③
① Series No.	② Connector type: WR=Right angel	③ No. of circuits

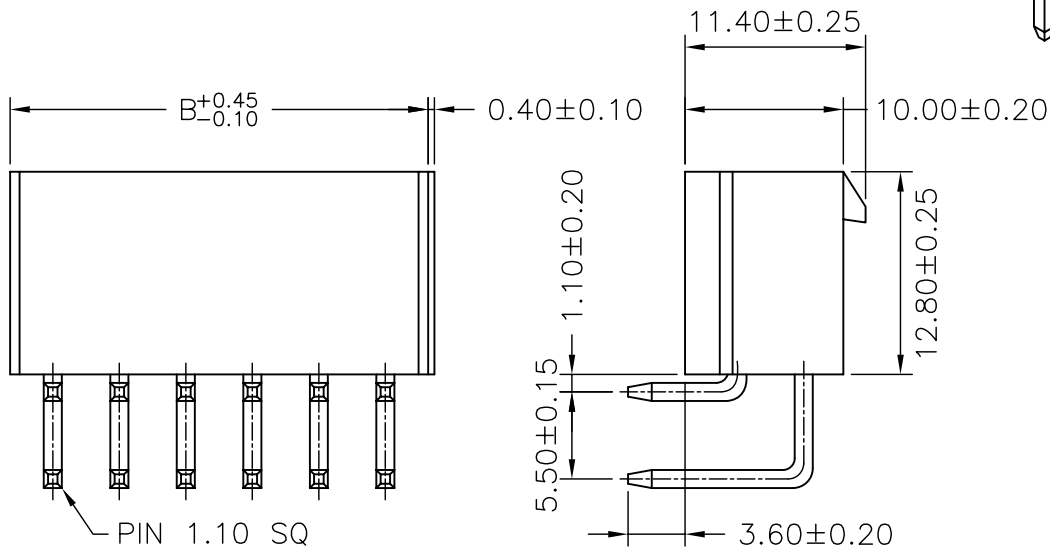
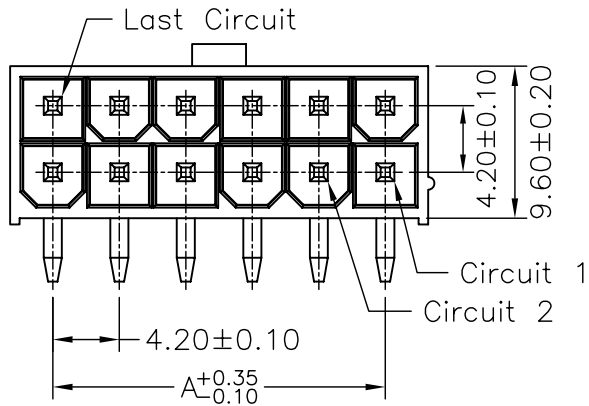
SPECIFICATIONS

Current Rating: 9A AC,DC
 Voltage Rating: 600V AC,DC
 Temperature Range: -25°C ~ +85°C
 Contact Resistance: 10mΩ Max
 Insulation Resistance: 1000MΩ Min
 Withstanding Voltage: 1500V AC/minute
 Pin Material: Brass/Tin-plated
 Material: Nylon 66,UL94V-2
 Color: Natural(Translucent)

Circuit No.	Dimensions	
	A	B
2X01P	---	5.40
2X02P	4.20	9.60
2X03P	8.40	13.80
2X04P	12.60	18.00
2X05P	16.80	22.20
2X06P	21.00	26.40
2X07P	25.20	30.60
2X08P	29.40	34.80
2X09P	33.60	39.00
2X10P	37.80	43.20
2X11P	42.00	47.40
2X12P	46.20	51.60



P.C.B LAYOUT



燦達電子工業股份有限公司
 JOINT TECH ELECTRONIC IND. CO., LTD.

UNIT: mm SCALE: 1:1 SHEET: 1 of 2

DRAWN BY: 董正一 2001.02.01
 APPROVED BY: 董正一 2001.02.01

GENERAL TOLERANCE

X.X±0.25
 X.XX±0.15
 X.XXX±0.05

TITLE:

4.20mm PITCH
 90° WAFER, MINI-FIT

DRAW NO.: C4255WR-2XNP

REV. B2

B2	EN1404170004	2014.04.17	郭木恩
REV.	DESCRIPTION	DATE	NAME