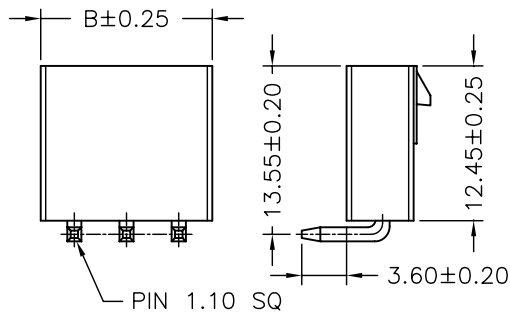
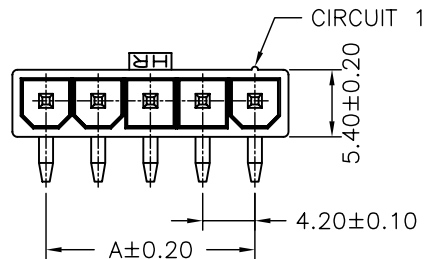
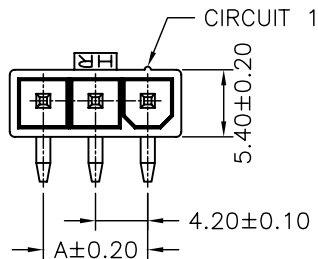
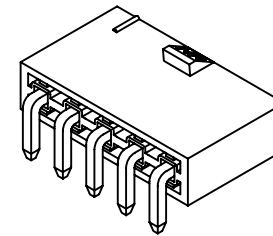
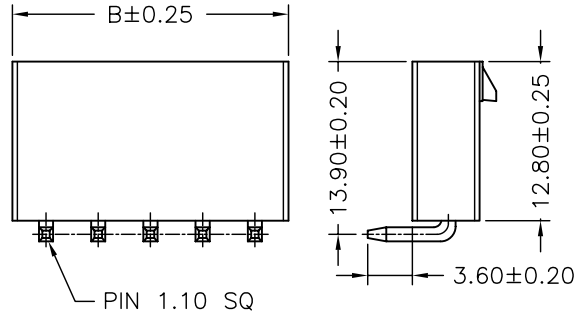


P.C.B. LAYOUT



3P



2P,4P,5P

SPECIFICATIONS

Current Rating: 9A AC,DC  
 Voltage Rating: 600V AC,DC  
 Temperature Range: -25°C ~ +85°C  
 Contact Resistance: 10mΩ Max  
 Insulation Resistance: 1000MΩ Min  
 Withstanding Voltage: 1500V AC/minute  
 Pin Material: Brass/Tin-plated  
 Material: Nylon 66,UL94V-2  
 Color: Natural(Translucent)

Ordering Information & Dimensions

PART NO.	Dimensions	
	A	B
C4255WR-02P	4.20	9.60
C4255WR-03P	8.40	13.80
C4255WR-04P	12.60	18.00
C4255WR-05P	16.80	22.20

UNIT	SCALE	SHEET	TITLE:
mm		1 of 1	4.20mm PITCH 90° WAFER, SINGLE ROW, MINI-FIT
DRAWN BY	APPROVED BY		
董正一	董正一		
2004.09.23	2004.09.23		
		GENERAL TOLERANCE	
		X.X±0.25	ANGLE±
B0	NEW RELEASE	2006.06.07	
REV.	DESCRIPTION	DATE	
		X.XX±0.15	
		X.XXX±0.05	
		DRAW NO. : C4255WR-XP	
		REV. B0	