

1 |

2 |

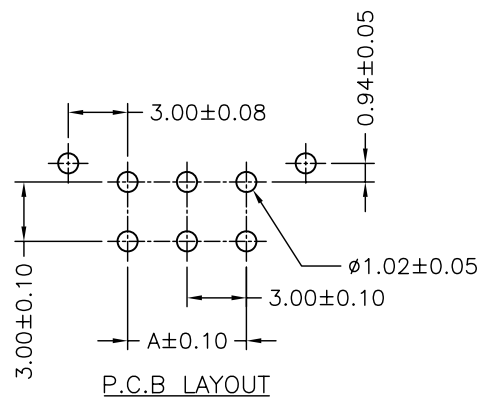
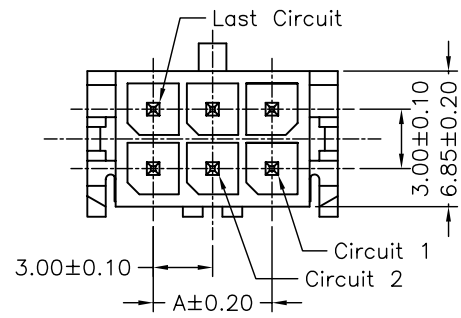
3 |

4 |

Ordering code

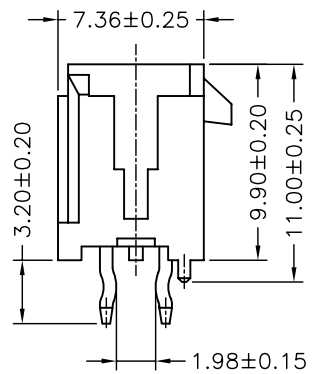
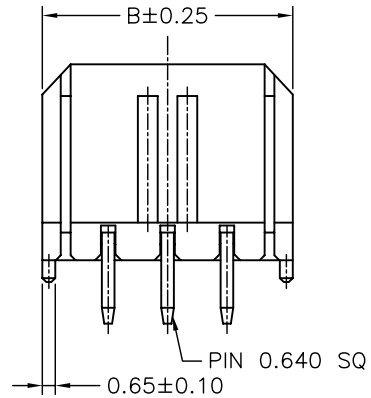
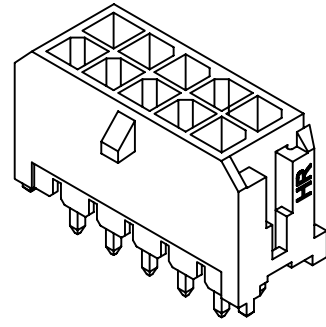
C3030 WV-F-2XNP
 ① ② ③ ④

① Series No.
 ② Connector type: WV=Vertical
 ③ Mounting type: F=With foot
 ④ No. of circuits



SPECIFICATIONS

Current Rating: 5A AC,DC
 Voltage Rating: 250V AC,DC
 Temperature Range: -25°C ~ +85°C
 Contact Resistance: 10mΩ Max
 Insulation Resistance: 1000MΩ Min
 Withstanding Voltage: 1500V AC/minute
 Pin Material: Brass/Tin-plated
 Material: PBT30%GF,UL94V-0
 Color: Natural(Black)



Ordering Information & Dimensions

PART NO.	Dimensions		PART NO.	Dimensions	
	A	B		A	B
2X01P	---	6.65	2X07P	18.00	24.65
2X02P	3.00	9.65	2X08P	21.00	27.65
2X03P	6.00	12.65	2X09P	24.00	30.65
2X04P	9.00	15.65	2X10P	27.00	33.65
2X05P	12.00	18.65	2X11P	30.00	36.65
2X06P	15.00	21.65	2X12P	33.00	39.65

				UNIT	SCALE	SHEET	TITLE:
				mm	1 : 1	1 of 2	
DRAWN BY		APPROVED BY		3.00mm PITCH 180° WAFER, MICRO-FIT			
董正一		董正一					
2001.02.01		2001.02.01					
GENERAL TOLERANCE				DRAW NO. : C3030WV-F-2XNP			
X. X±0.25		ANGLE±		REV. B2			
X. XX±0.15		▽					
X. XXX±0.05		⊕					
B2	EN1409020004	2014.09.02	郭木思				
REV.	DESCRIPTION	DATE	NAME				

1 |

2 |

3 |

4 |