

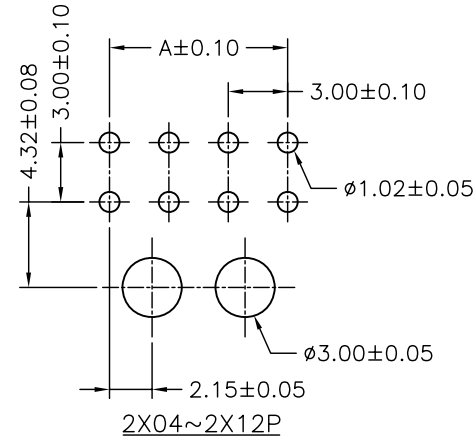
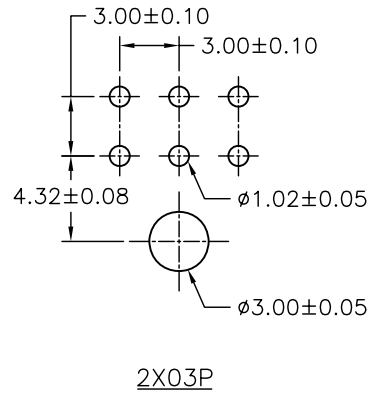
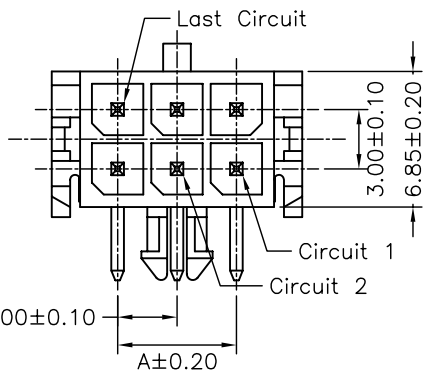
Ordering code

C3030 WR-F-2XNP
 ① ② ③ ④

- ① Series No.
- ② Connector type: WR=Right angle
- ③ Mounting type: F=With foot
- ④ No. of circuits

SPECIFICATIONS

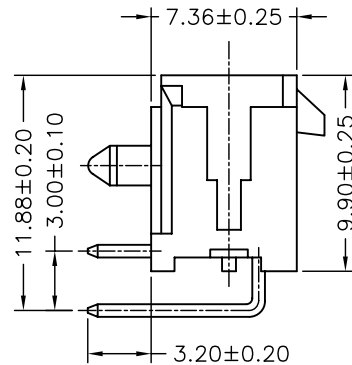
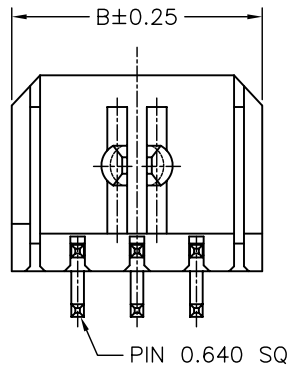
Current Rating: 5A AC,DC
 Voltage Rating: 250V AC,DC
 Temperature Range: -25°C ~ +85°C
 Contact Resistance: 10mΩ Max
 Insulation Resistance: 1000MΩ Min
 Withstanding Voltage: 1500V AC/minute
 Pin Material: Brass/Tin-plated
 Material: PBT30%GF,UL94V-0
 Color: Natural(Black)



Ordering Information & Dimensions

PART NO.	Dimensions		PART NO.	Dimensions	
	A	B		A	B
2X01P	---	6.65	2X07P	18.00	24.65
2X02P	3.00	9.65	2X08P	21.00	27.65
2X03P	6.00	12.65	2X09P	24.00	30.65
2X04P	9.00	15.65	2X10P	27.00	33.65
2X05P	12.00	18.65	2X11P	30.00	36.65
2X06P	15.00	21.65	2X12P	33.00	39.65

P.C.B LAYOUT



PIN 0.640 SQ



燦達電子工業股份有限公司
 JOINT TECH ELECTRONIC IND. CO., LTD.

UNIT	SCALE	SHEET
mm	1 : 1	1 of 2
DRAWN BY	APPROVED BY	
董正一	董正一	
2001.02.01	2001.02.01	
GENERAL TOLERANCE		
X. X±0.25	ANGLE±	
X. XX±0.15	▽	
X. XXX±0.05	⊙	

TITLE:	
3.00mm PITCH 90° WAFER, MICRO-FIT	
DRAW NO.:	REV.
C3030WR-F-2XNP	B2

B2	EN1409020004	2014.09.02	郭木恩
REV.	DESCRIPTION	DATE	NAME