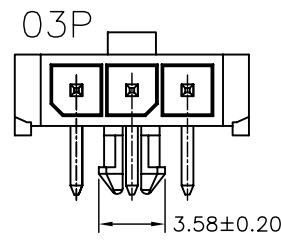
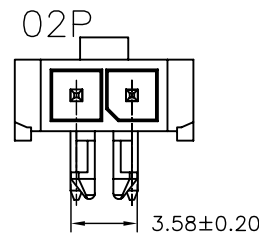
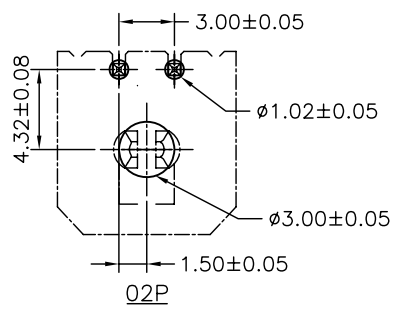
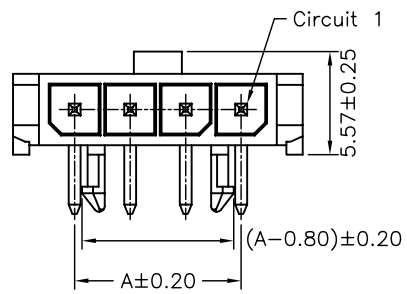


**P/N LEGEND**

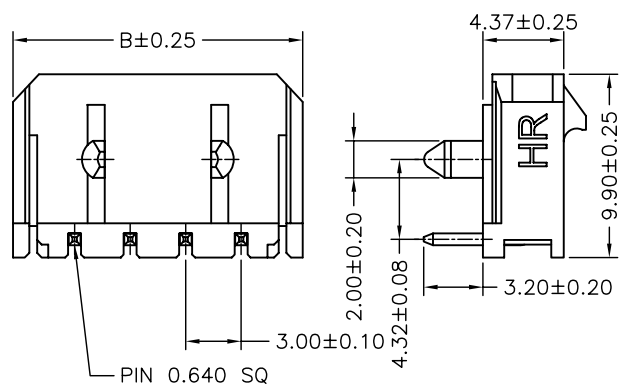
|               |                                  |                      |                   |
|---------------|----------------------------------|----------------------|-------------------|
| C3030 WR-F-XP |                                  |                      |                   |
| ①             | ②                                | ③                    | ④                 |
| ① Series No.  | ② Connector type: WR=Right angle | ③ F=With boss or peg | ④ No. of circuits |

**SPECIFICATIONS**  
 Current Rating: 5A AC,DC  
 Voltage Rating: 250V AC,DC  
 Temperature Range: -25°C ~ +85°C  
 Contact Resistance: 10mΩ Max  
 Insulation Resistance: 1000MΩ Min  
 Withstanding Voltage: 1500V AC/minute  
 Pin Material: Brass/Tin-plated  
 Material: PBT15%GF,UL94V-0  
 Color: Natural(Black)



**Ordering Information & Dimensions**

| PART NO. | Dimensions |       |
|----------|------------|-------|
|          | A          | B     |
| 02P      | 3.00       | 9.65  |
| 03P      | 6.00       | 12.65 |
| 04P      | 9.00       | 15.65 |
| 05P      | 12.00      | 18.65 |
| 06P      | 15.00      | 21.65 |
| 07P      | 18.00      | 24.65 |
| 08P      | 21.00      | 27.65 |
| 09P      | 24.00      | 30.65 |
| 10P      | 27.00      | 33.65 |
| 11P      | 30.00      | 36.65 |
| 12P      | 33.00      | 39.65 |



|                   |              |             |      |   |       |        |        |
|-------------------|--------------|-------------|------|---|-------|--------|--------|
|                   |              |             |      | UNIT  | SCALE | SHEET  | TITLE: |
|                   |              |             |      | mm  | 1 : 1 | 1 of 2 |        |
| DRAWN BY          |              | APPROVED BY |      | 3.00mm PITCH<br>90° WAFER, SINGLE ROW,<br>MICRO-FIT |       |        |        |
| 董正一               |              | 董正一         |      |   |       |        |        |
| 2003.03.27        |              | 2003.03.27  |      |   |       |        |        |
| GENERAL TOLERANCE |              |             |      | DRAW NO. :  |       |        |        |
| X.X±0.25          |              | ANGLE±      |      | C3030WR-F-XP  |       |        |        |
| X.XX±0.15         |              |             |      | REV. B3   |       |        |        |
| X.XXX±0.05        |              |             |      |   |       |        |        |
| B3                | EN1409020004 | 2014.09.02  | 郭木思  |   |       |        |        |
| REV.              | DESCRIPTION  | DATE        | NAME |   |       |        |        |