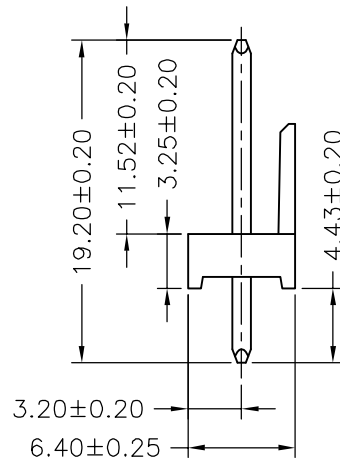
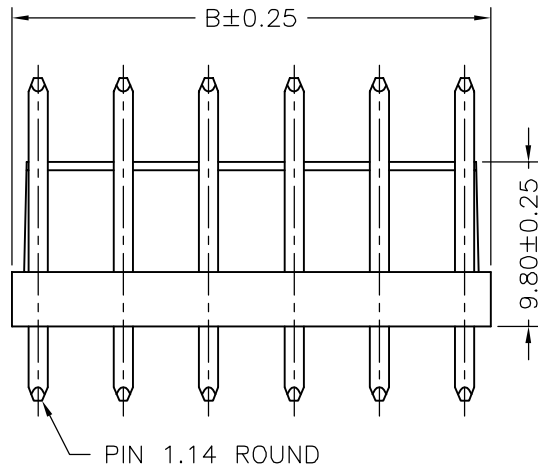


SPECIFICATIONS

Current Rating: 7A AC,DC
 Voltage Rating: 250V AC,DC
 Temperature Range: -25°C ~ +85°C
 Contact Resistance: 10mΩ Max
 Insulation Resistance: 1000Ω Min
 Withstanding Voltage: 1500V AC/minute
 Pin Material: Brass/Tin-plated
 Material: Nylon 66,UL94V-2
 Color: Natural(Translucent)



Ordering Information & Dimensions

PART NO.	Dimensions	
	A	B
A5081WVB-02P	5.08	8.20
A5081WVB-03P	10.16	13.28
A5081WVB-04P	15.24	18.36
A5081WVB-05P	20.32	23.44
A5081WVB-06P	25.40	28.52
A5081WVB-07P	30.48	33.60
A5081WVB-08P	35.56	38.68
A5081WVB-09P	40.64	43.76
A5081WVB-10P	45.72	48.84
A5081WVB-11P	50.80	53.92
A5081WVB-12P	55.88	59.00
A5081WVB-13P	60.96	64.08
A5081WVB-14P	66.04	69.16
A5081WVB-15P	71.12	74.24
A5081WVB-16P	76.20	79.32
A5081WVB-17P	81.28	84.40

				JOINT TECH ELECTRONIC IND. CO., LTD. JOY DAY INDUSTRIAL CO., LTD.	
		UNIT	SCALE	SHEET	TITLE:
		mm		1 of 1	5.08mm PITCH 180° WAFER
		DRAWN BY	APPROVED BY		
		伍建永 2005.04.23	谢瑞清 2005.04.23		
		GENERAL TOLERANCE			
B1	REVISE	2007.07.26	X.X±0.25	ANGLE±	DRAW NO.: A5081WVB-XP
B0	NEW RELEASE	2006.01.08	X.XX±0.15		
REV.	DESCRIPTION	DATE	X.XXX±0.05		
					REV. B1