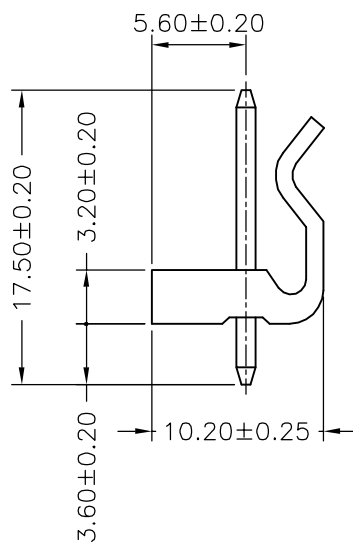
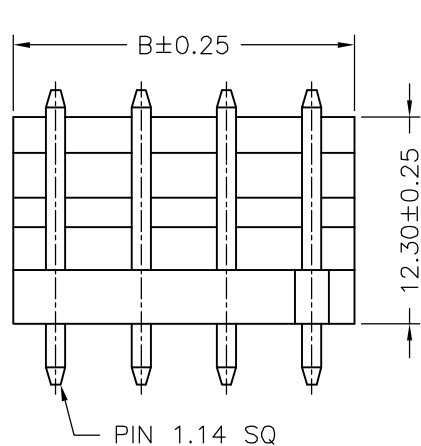
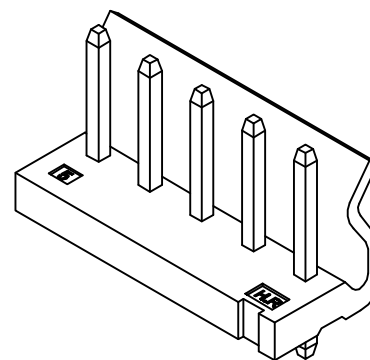


P.C.B LAYOUT





SPECIFICATIONS

Current Rating: 7A AC,DC
 Voltage Rating: 250V AC,DC
 Temperature Range: -25°C ~ +85°C
 Contact Resistance: 10mΩ Max
 Insulation Resistance: 1000MΩ Min
 Withstanding Voltage: 1500V AC/minute
 Pin Material: Brass/Tin-plated
 Material: Nylon 66,UL94V-2
 Color: Natural(Translucent)

Ordering Information & Dimensions

PART NO.	Dimensions	
	A	B
A5081WV-02P	5.08	10.16
A5081WV-03P	10.16	15.24
A5081WV-04P	15.24	20.32
A5081WV-05P	20.32	25.40
A5081WV-06P	25.40	30.48
A5081WV-07P	30.48	35.56
A5081WV-08P	35.56	40.64
A5081WV-09P	40.64	45.72
A5081WV-10P	45.72	50.80
A5081WV-11P	50.80	55.88
A5081WV-12P	55.88	60.96
A5081WV-13P	60.96	66.04
A5081WV-14P	66.04	71.12
A5081WV-15P	71.12	76.20
A5081WV-16P	76.20	81.28
A5081WV-17P	81.28	86.36
A5081WV-18P	86.36	91.44
A5081WV-19P	91.44	96.52
A5081WV-20P	96.52	101.60

				JOINT TECH ELECTRONIC IND. CO., LTD. JOY DAY INDUSTRIAL CO., LTD.	
		UNIT	SCALE	SHEET	TITLE:
		mm		1 of 1	5.08mm PITCH 180° WAFER
		DRAWN BY 伍建永 2005.04.23	APPROVED BY 謝瑞清 2005.04.23		
		GENERAL TOLERANCE			
B1	REVISE	2007.11.13	X.X±0.25	ANGLE±	DRAW NO.: A5081WV-XP
B0	NEW RELEASE	2006.01.08	X.XX±0.15		
REV.	DESCRIPTION	DATE	X.XXX±0.05		
					REV. B1