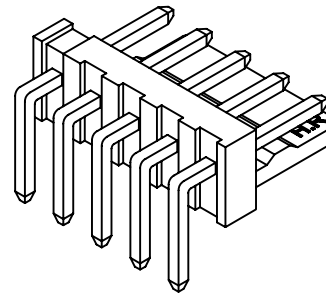
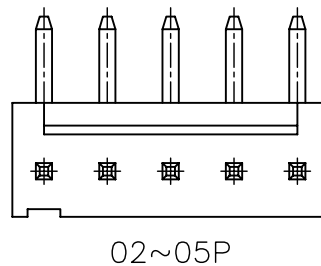
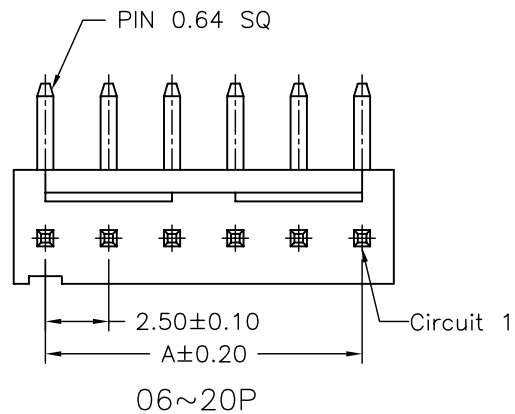


1

2

3

4



P/N LEGEND

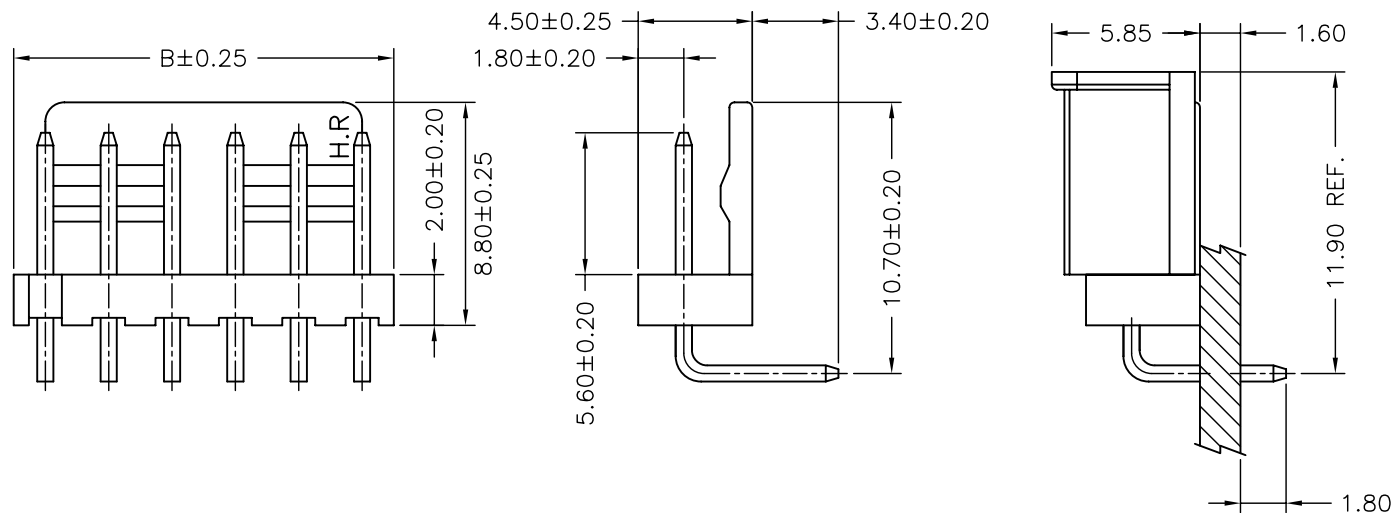
A2503 WR-XP

① ② ③

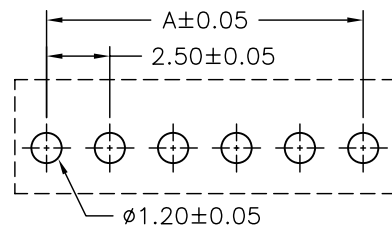
- ① Series No.
② Connector type: WR=Right angle
③ No. of circuits

SPECIFICATIONS

Current Rating: 3A AC,DC
Voltage Rating: 250V AC,DC
Temperature Range: -25°C ~ +85°C
Contact Resistance: 10mΩ Max
Insulation Resistance: 1000MΩ Min
Withstanding Voltage: 800V AC/minute
Pin Material: Brass/Tin-plated
Material: Nylon 66,UL94V-2
Pantone Color: 7501C



Circuit No.	Dimensions		Circuit No.	Dimensions	
	A	B		D	C
02P	2.50	5.00	12P	27.50	30.00
03P	5.00	7.50	13P	30.00	32.50
04P	7.50	10.00	14P	32.50	35.00
05P	10.00	12.50	15P	35.00	37.50
06P	12.50	15.00	16P	37.50	40.00
07P	15.00	17.50	17P	40.00	42.50
08P	17.50	20.00	18P	42.50	45.00
09P	20.00	22.50	19P	45.00	47.50
10P	22.50	25.00	20P	47.50	50.00
11P	25.00	27.50			



P.C.B LAYOUT

REV.	DESCRIPTION	DATE	NAME	UNIT	SCALE	SHEET	TITLE:
B2	EN1706210002	2017.06.21	周傑亮	mm	1:1	1 of 1	2.50mm PITCH 90° WAFER
B1	REVISE	2007.03.18	董正一	DRAWN BY	APPROVED BY		
B0	NEW RELEASE	2005.12.10	董正一	2001.02.01	董正一	2001.02.01	
REV.	DESCRIPTION	DATE	NAME	GENERAL TOLERANCE	ANGLE±		
				X.X±0.25			DRAW NO.:
				X.XX±0.15			A2503WR-XP
				X.XXX±0.05			REV. B2



燦達電子工業股份有限公司
JOINT TECH ELECTRONIC IND. CO., LTD.

TITLE:

2.50mm PITCH
90° WAFER

DRAW NO.:

A2503WR-XP

REV.
B2

1

2

3

4