

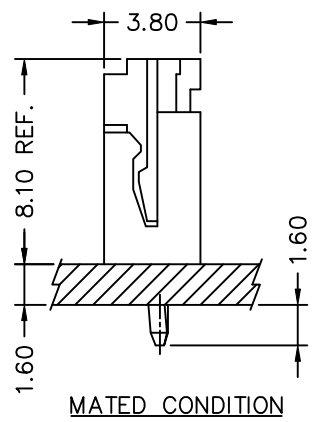
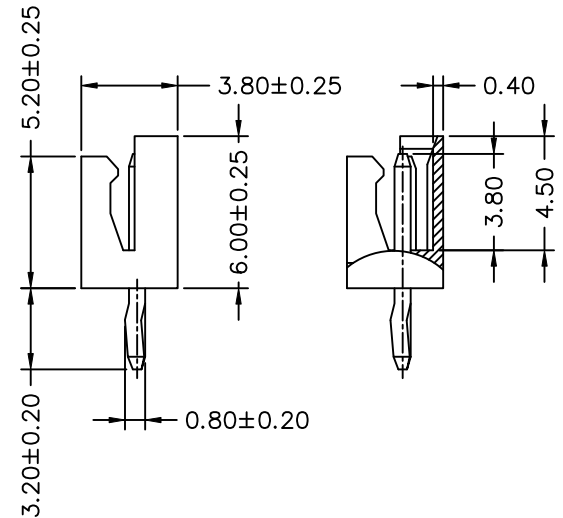
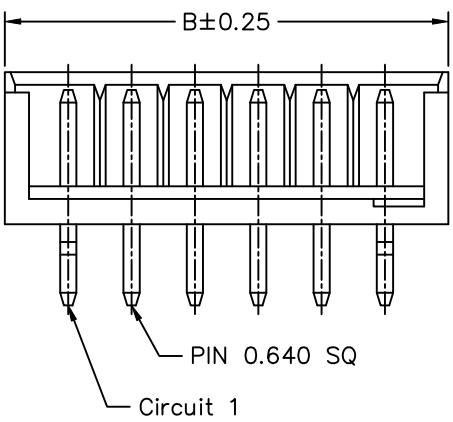
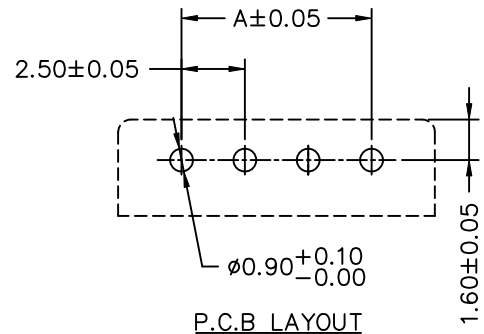
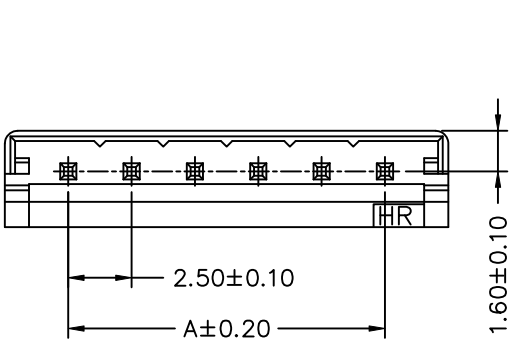
P/N LEGEND

	<u>A2502</u>	<u>WV-XP</u>	<u>XXX</u>
	①	②	③ ④
①	Series No.		
②	Connector type: WV=Vertical		
③	No. of circuits		
④	Option code:		
	Blank=Nylon66-V0, Tin-plated		
	NF=Nylon66-V2, NO FLAME, Natural(Beige)		
	Tin-plated, IEC 60335-1 rev. 4		

SPECIFICATIONS

Current Rating: 3A AC,DC
 Voltage Rating: 250V AC,DC
 Temperature Range: -25°C ~ +85°C
 Contact Resistance: 10mΩ Max
 Insulation Resistance: 1000MΩ Min
 Withstanding Voltage: 800V AC/minute
 Pin Material: Brass

Circuit No.	Dimensions		Circuit No.	Dimensions	
	A	B		A	B
02P	2.50	7.50	09P	20.00	25.00
03P	5.00	10.00	10P	22.50	27.50
04P	7.50	12.50	11P	25.00	30.00
05P	10.00	15.00	12P	27.50	32.50
06P	12.50	17.50	13P	30.00	35.00
07P	15.00	20.00	14P	32.50	37.50
08P	17.50	22.50	15P	35.00	40.00



						燦達電子工業股份有限公司 JOINT TECH ELECTRONIC IND. CO., LTD.	
UNIT		SCALE	SHEET		TITLE:		
mm		1 : 1	1 of 1				
DRAWN BY		APPROVED BY		2.50mm PITCH 180° WAFER			
董正一		董正一					
2001.02.01		2001.02.01		DRAW NO. : A2502WV-XP			
GENERAL TOLERANCE							
B1	EN1607120005	2016.07.13	劉建芳	X.X±0.25	ANGLE±		
B0	NEW RELEASE	2006.05.14	董正一	X.XX±0.15			
REV.	DESCRIPTION	DATE	NAME	X.XXX±0.05	REV. B1		